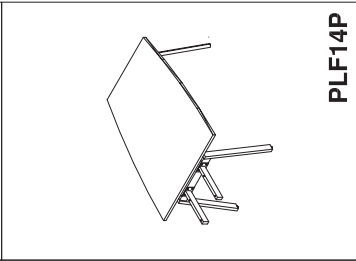
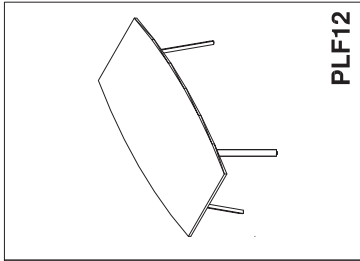
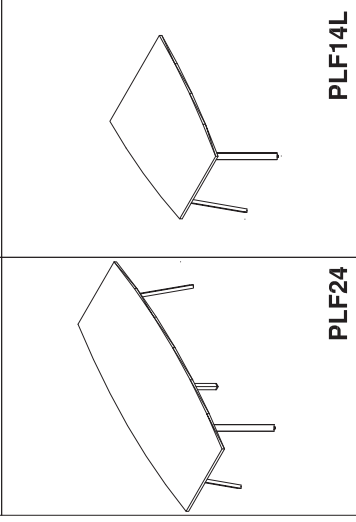
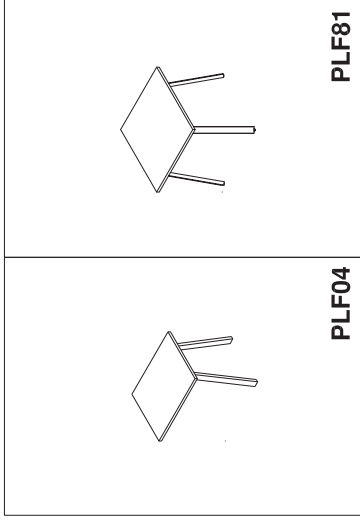
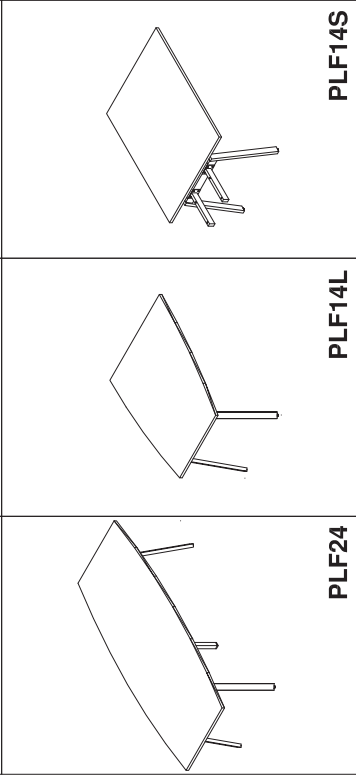
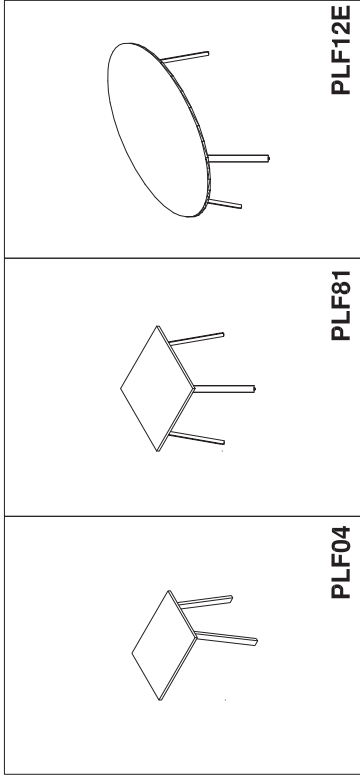
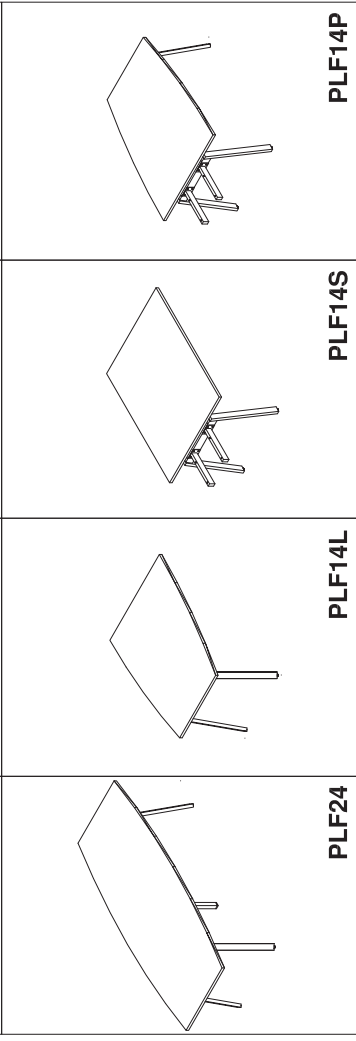
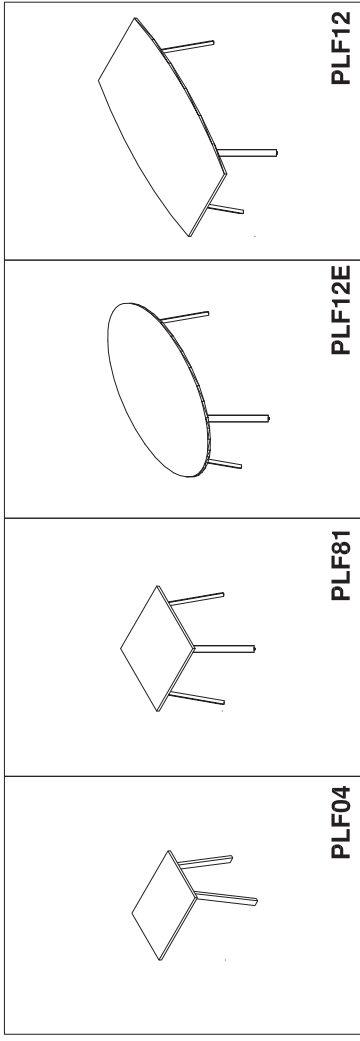
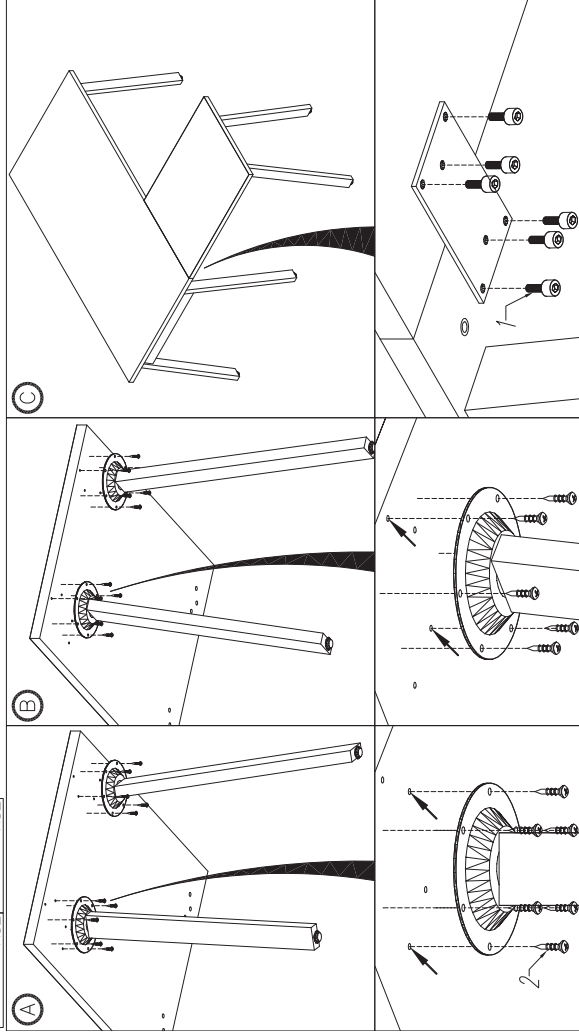


PLF04

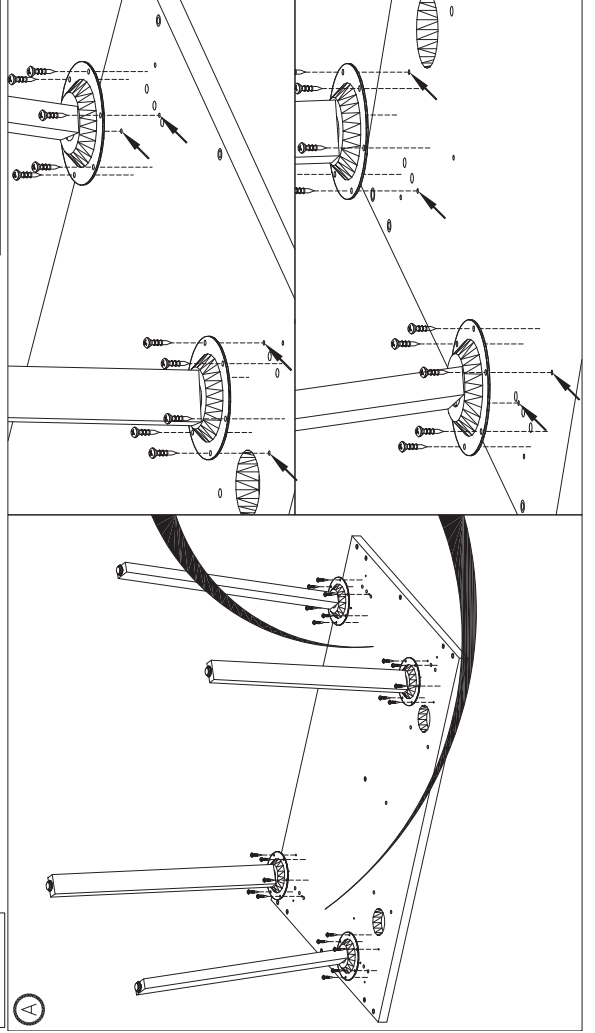
1 $M6 \times 14$ x12

2 $\phi 5 \times 20$ x12



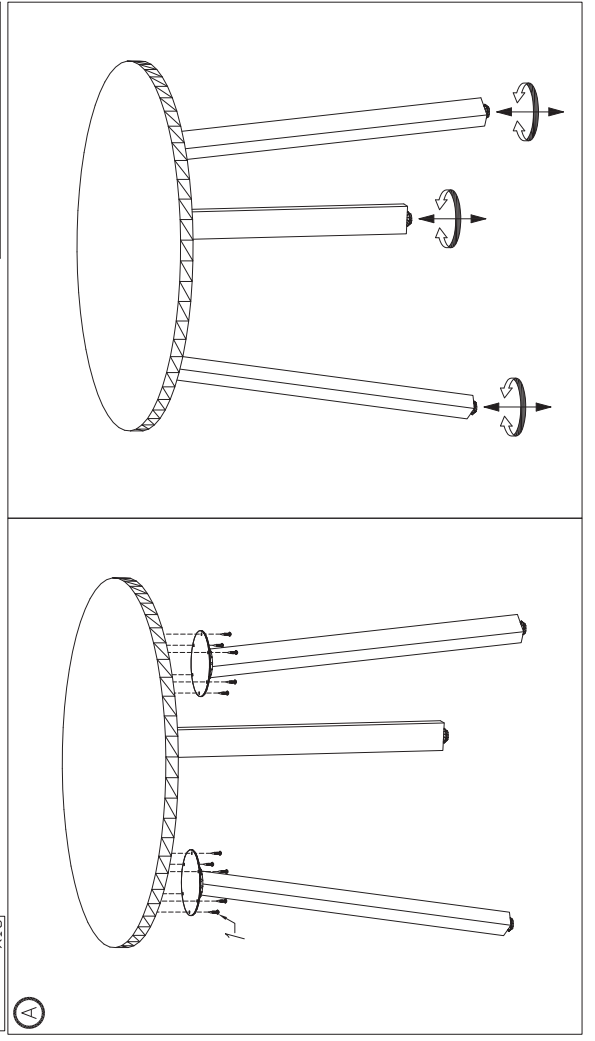
OGI A

1 $\phi 5 \times 20$

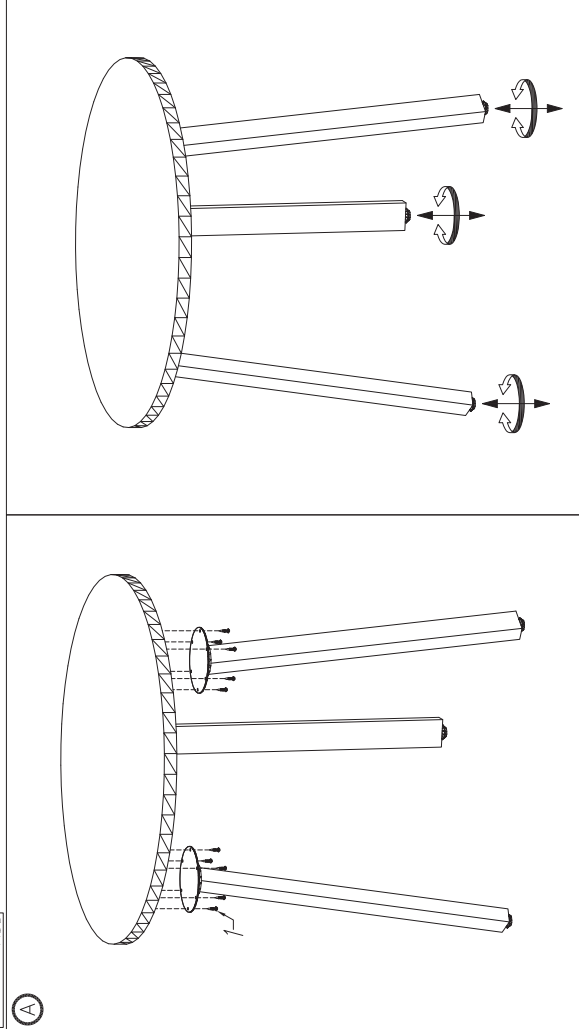
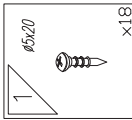


PLF80

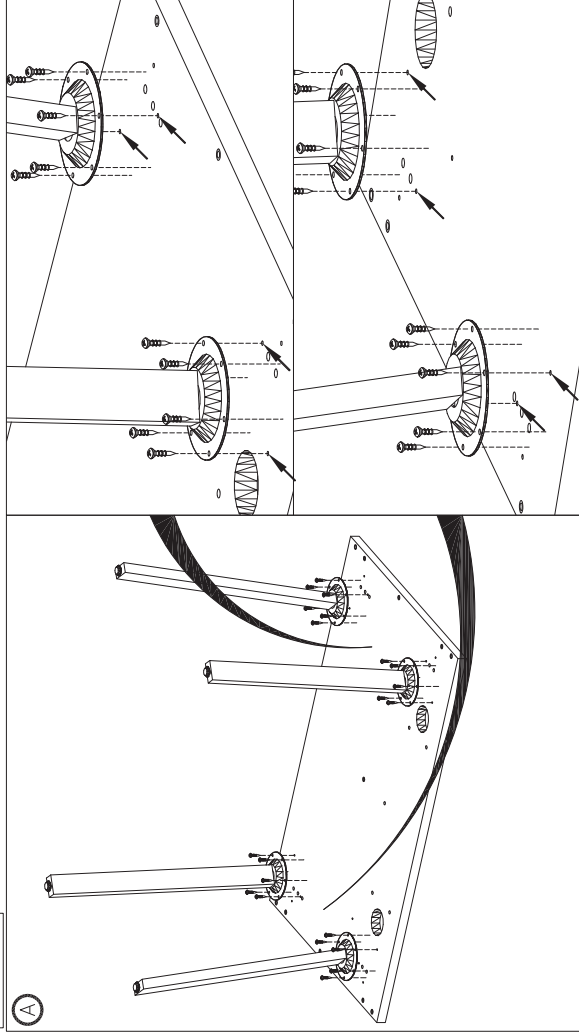
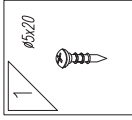
1 $\phi 5 \times 20$ x18



PLF80



OGIA



	PLF04		PLF12		PLF14P
	PLF81		PLF12E		PLF14S
	PLF14L		PLF24		

