
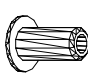
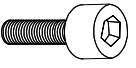
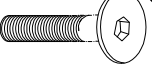
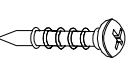
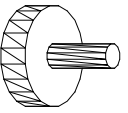
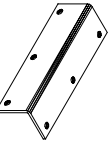
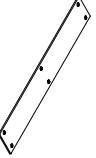
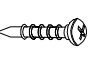

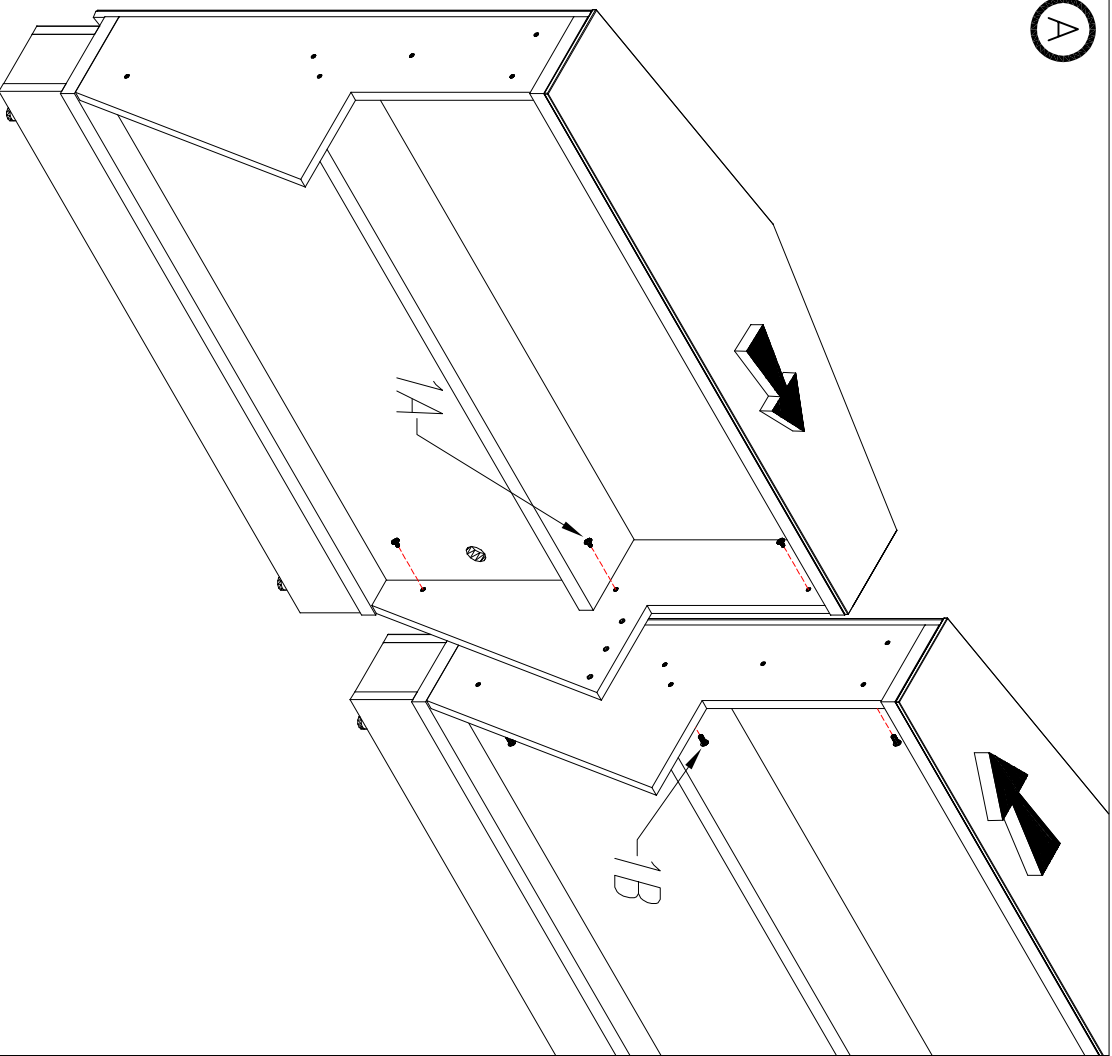


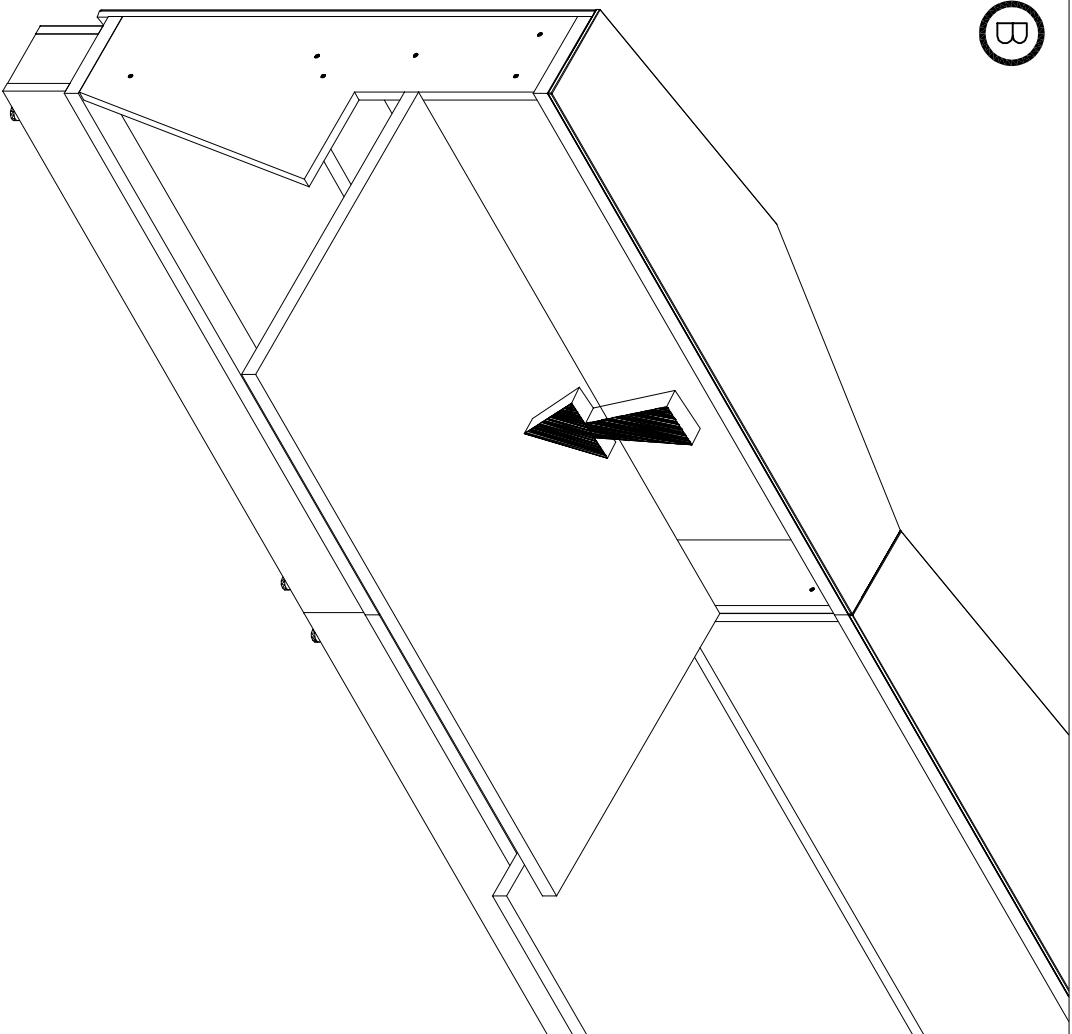
| | | |
|---|---|-------|
| 1 |  | 1A |
| |  | 1B |
| 2 |  | M6x14 |
| 3 |  | M6x30 |
| 4 |  | ø5x20 |
| 5 |  | |
| 6 |  | |
| 7 |  | |
| 8 |  | ø3x16 |

 **ALP...**

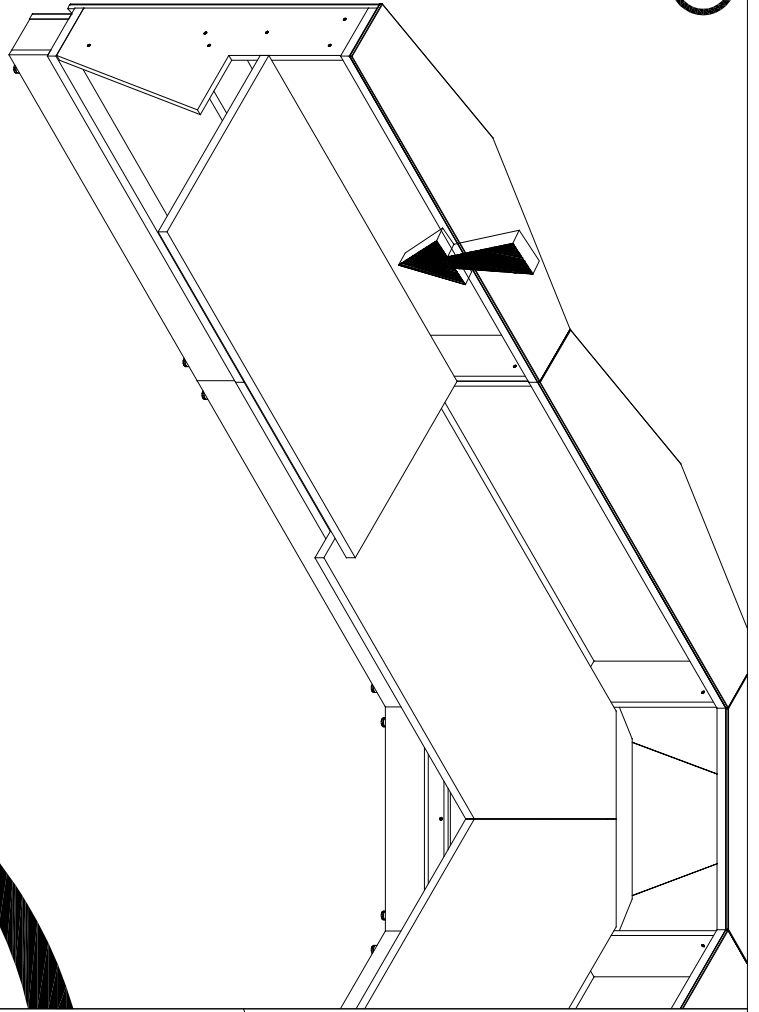
(A)



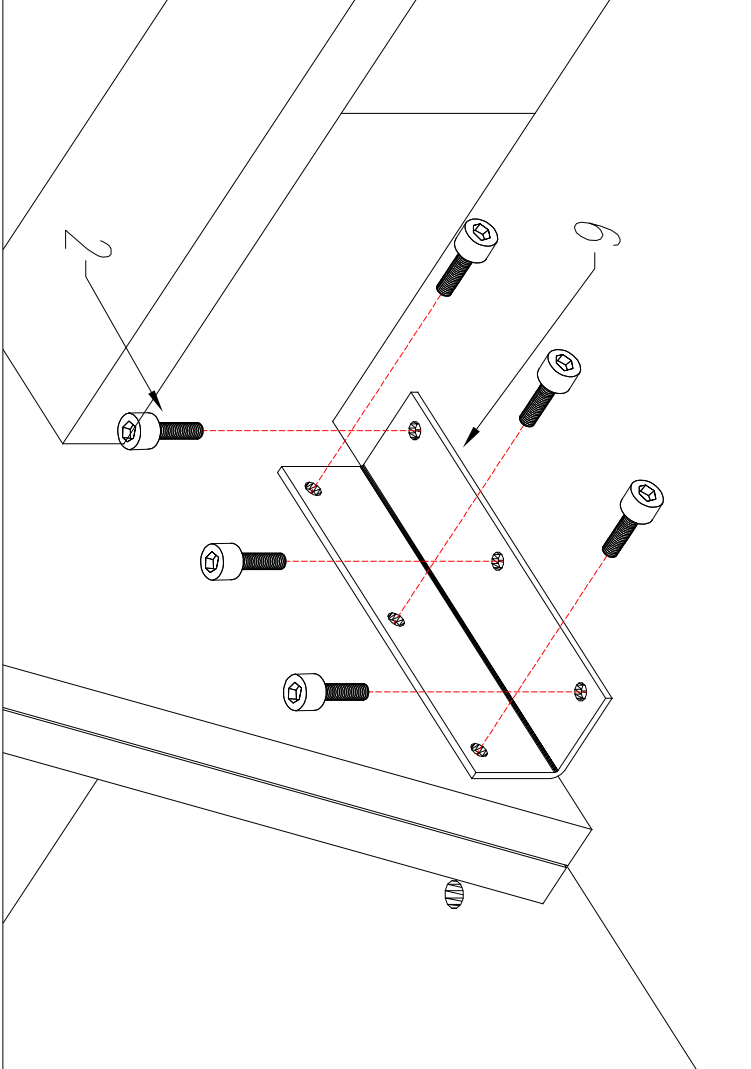
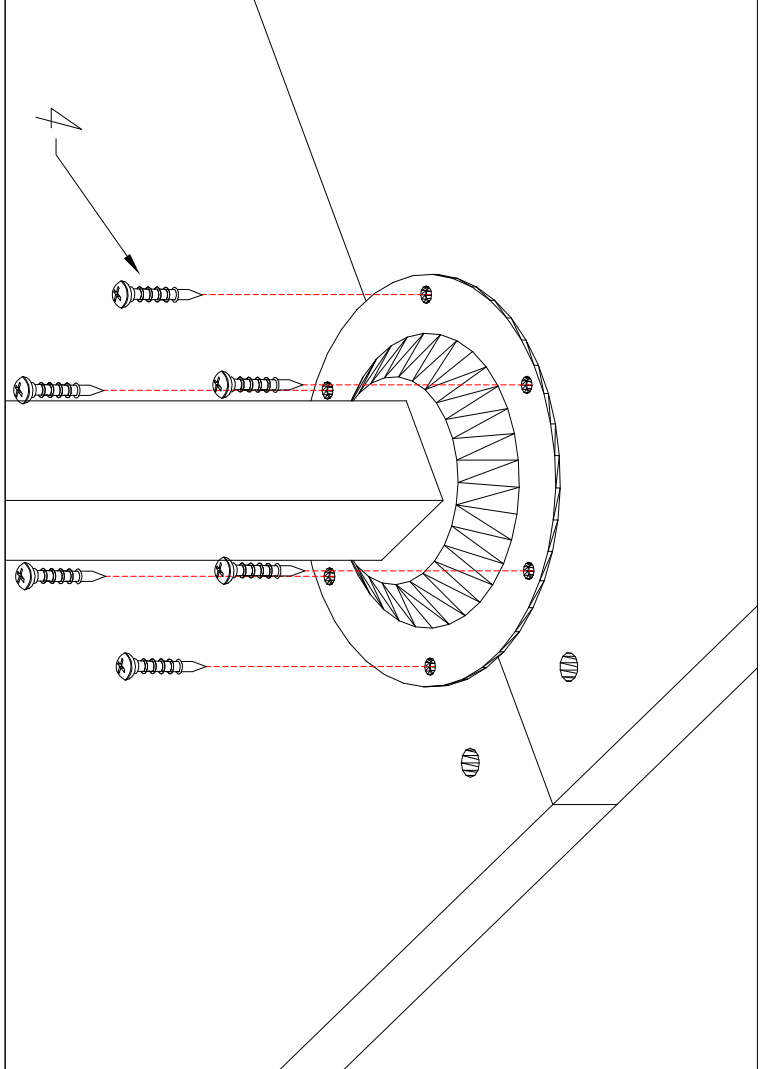
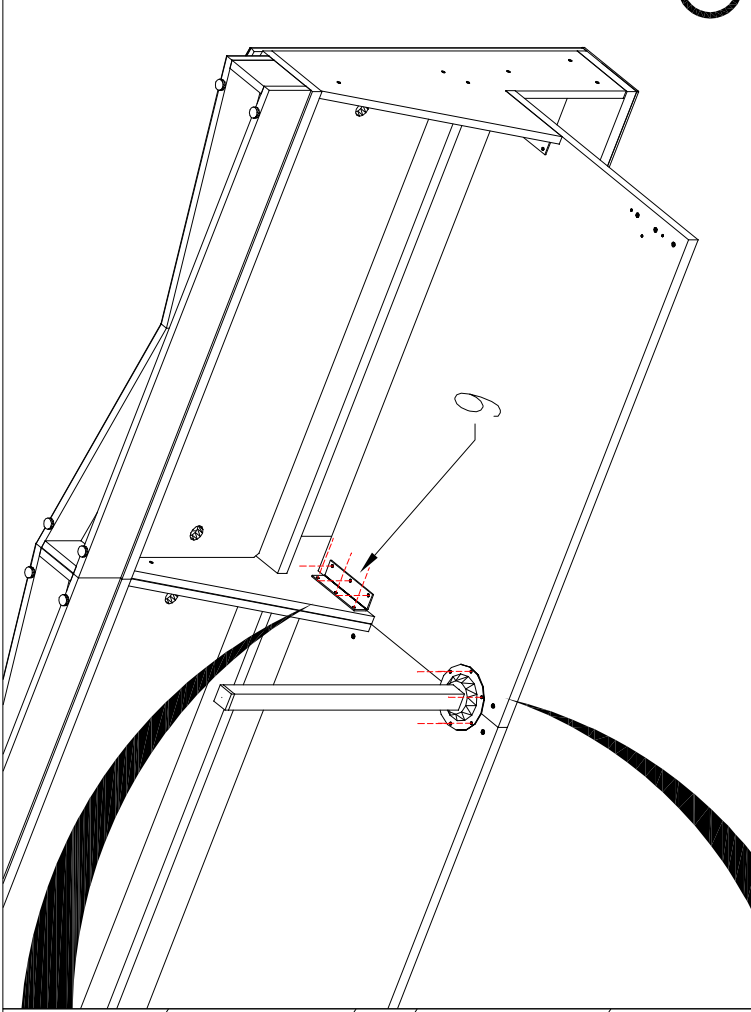
(B)

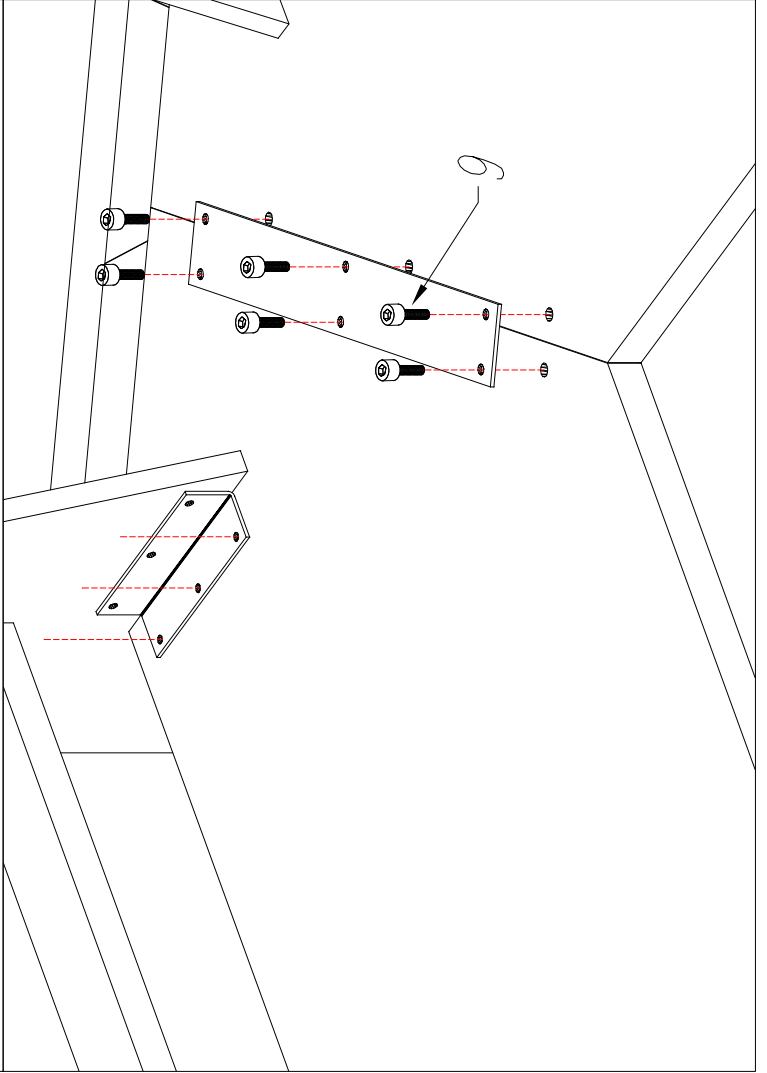
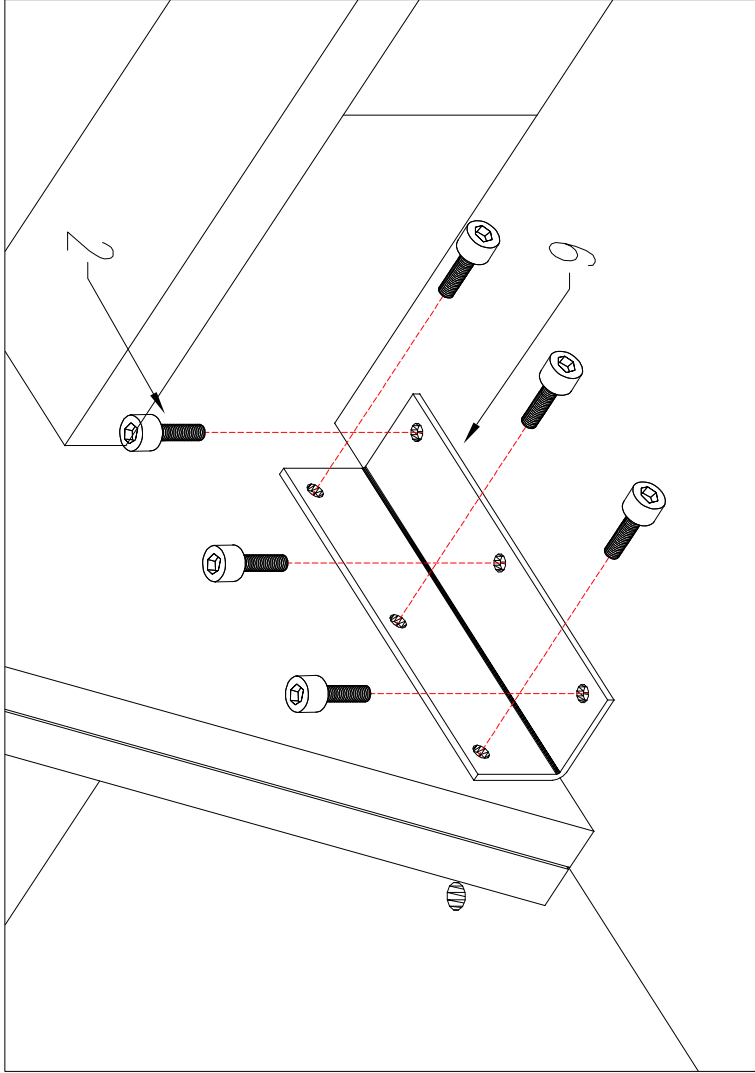
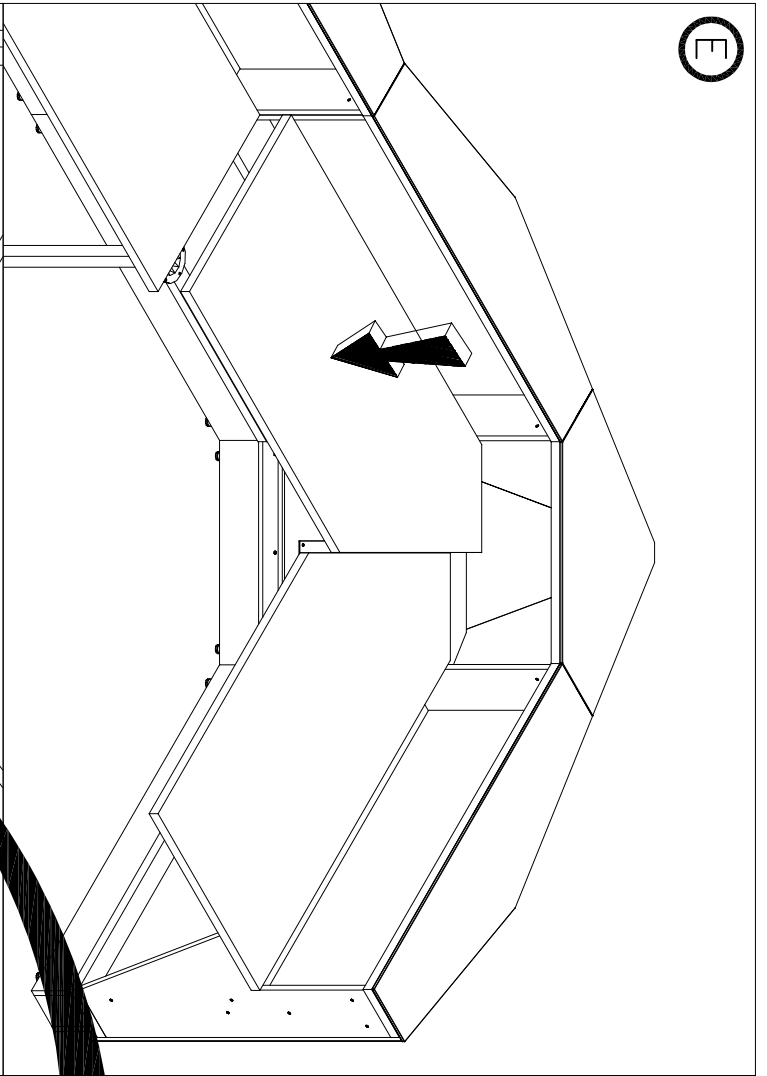
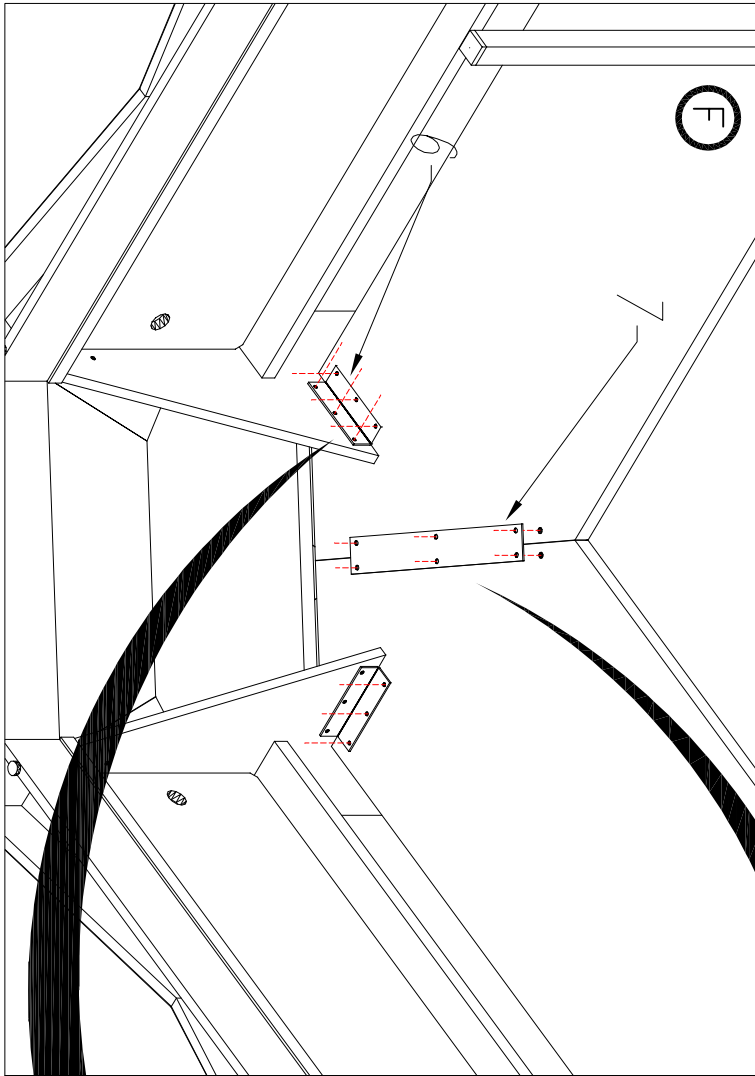


©

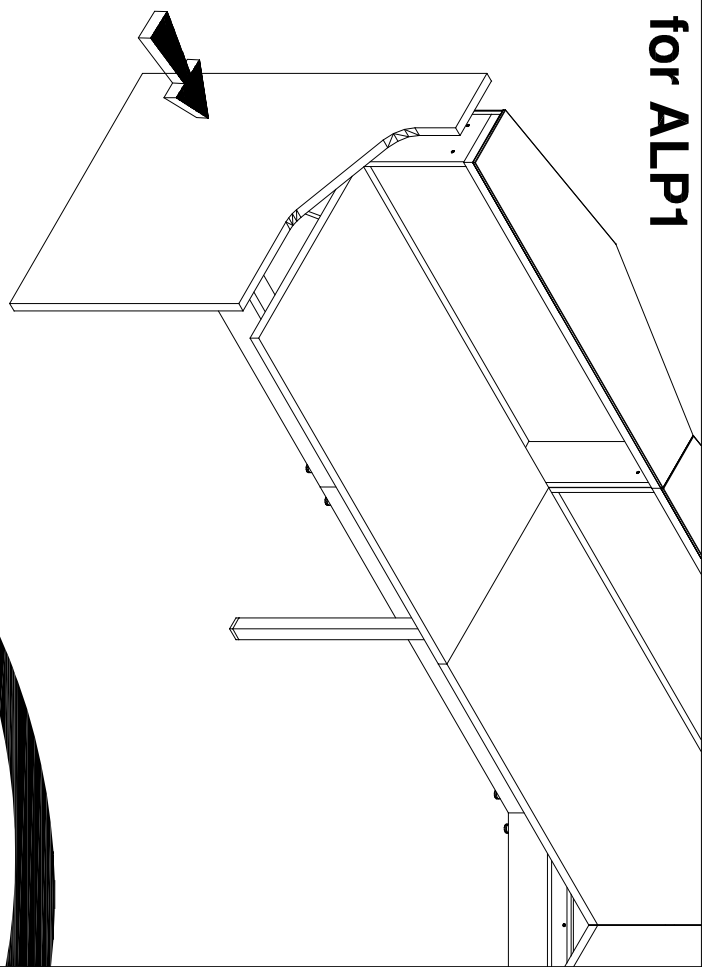


D

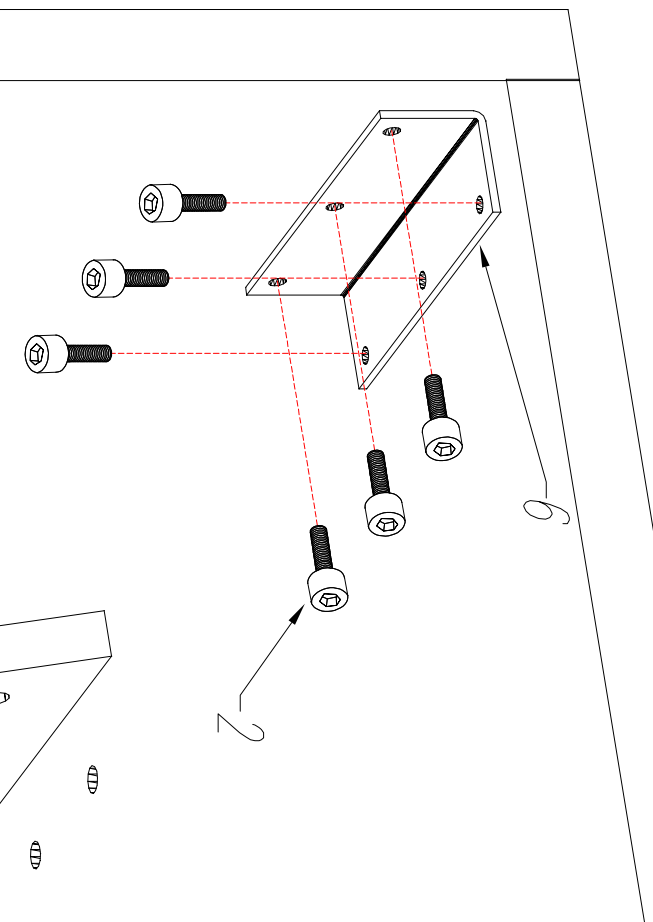
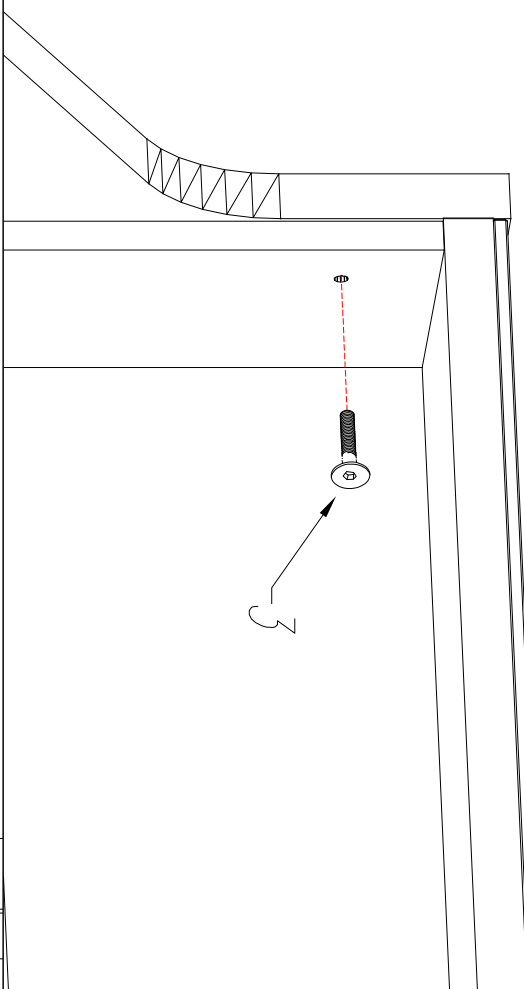
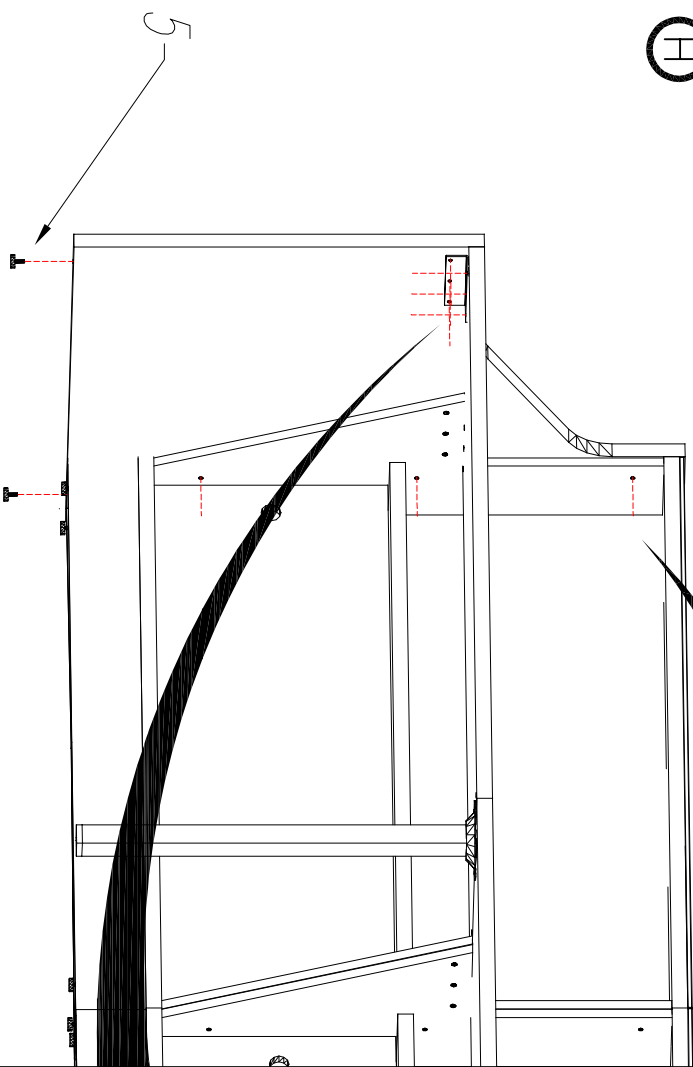




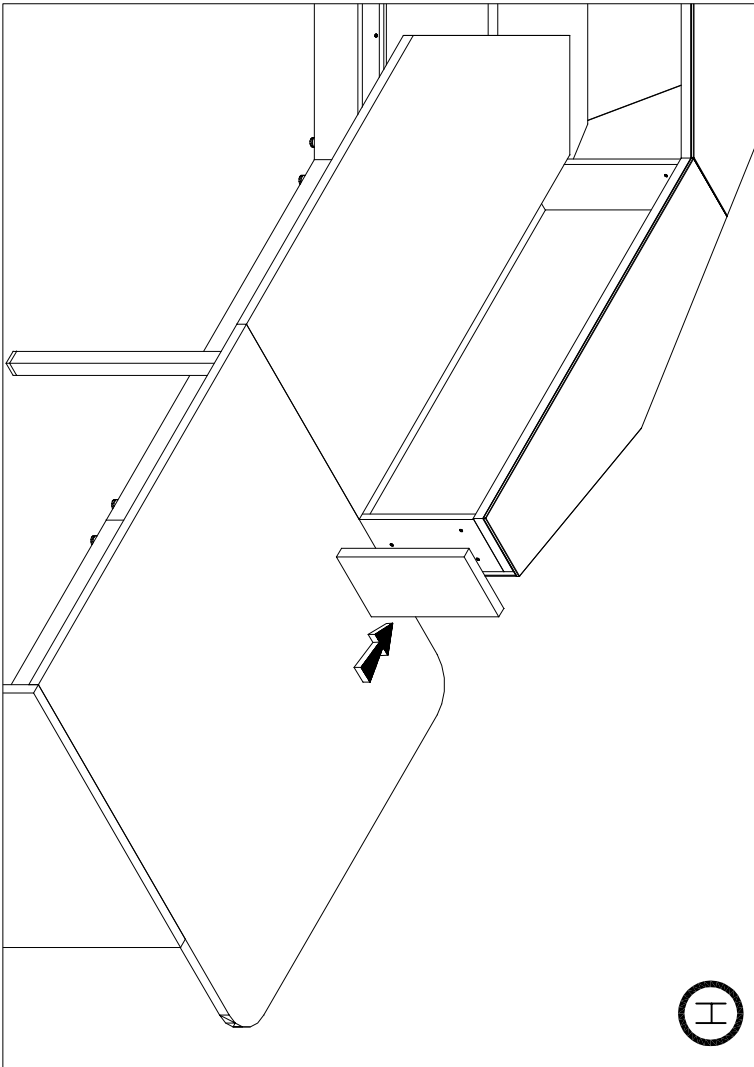
Ⓒ for ALP1



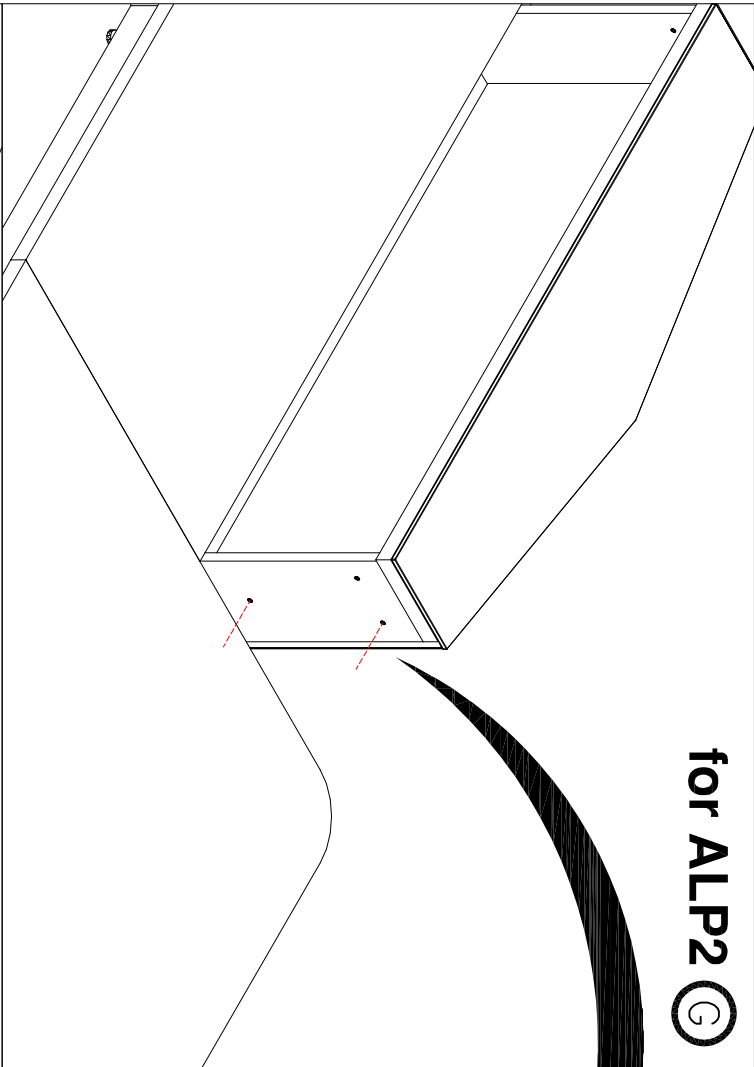
Ⓘ



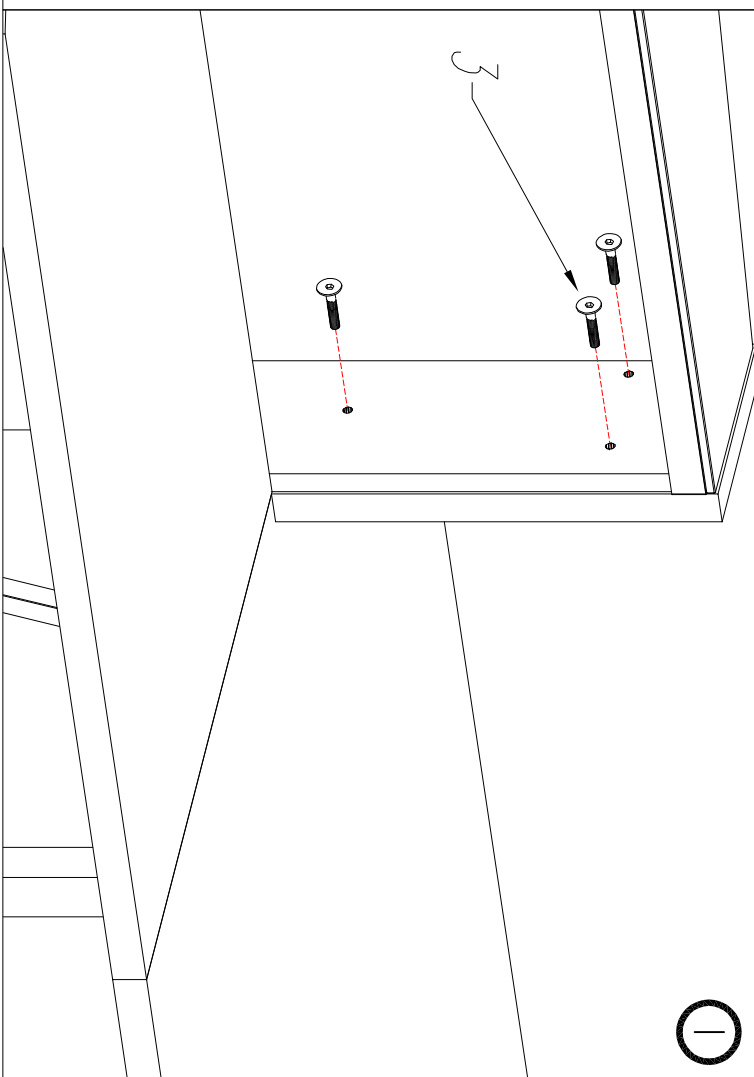
for ALP2 ©



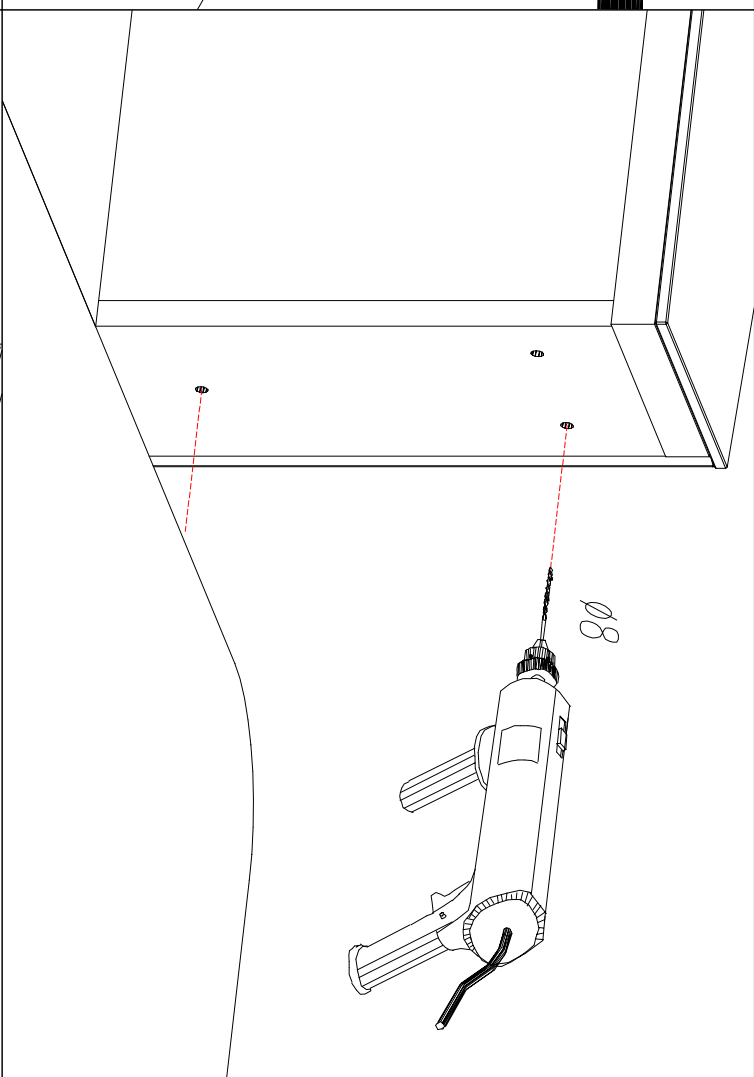
H



G



I



J

for ALP3 ©

