
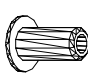
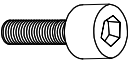
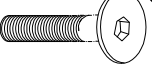
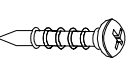
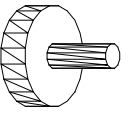
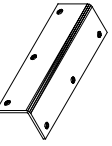
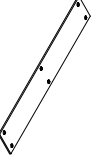
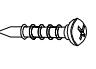

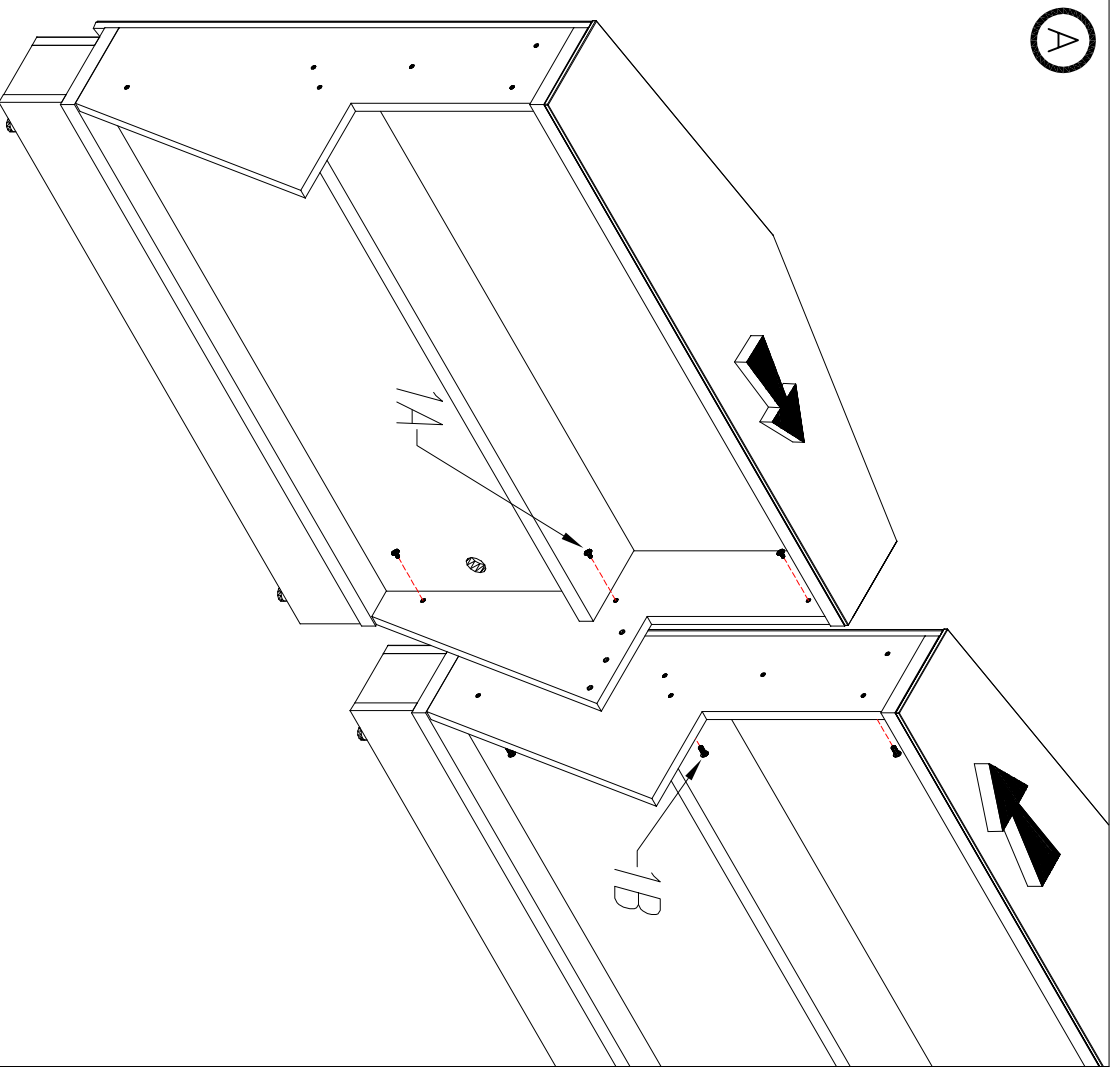


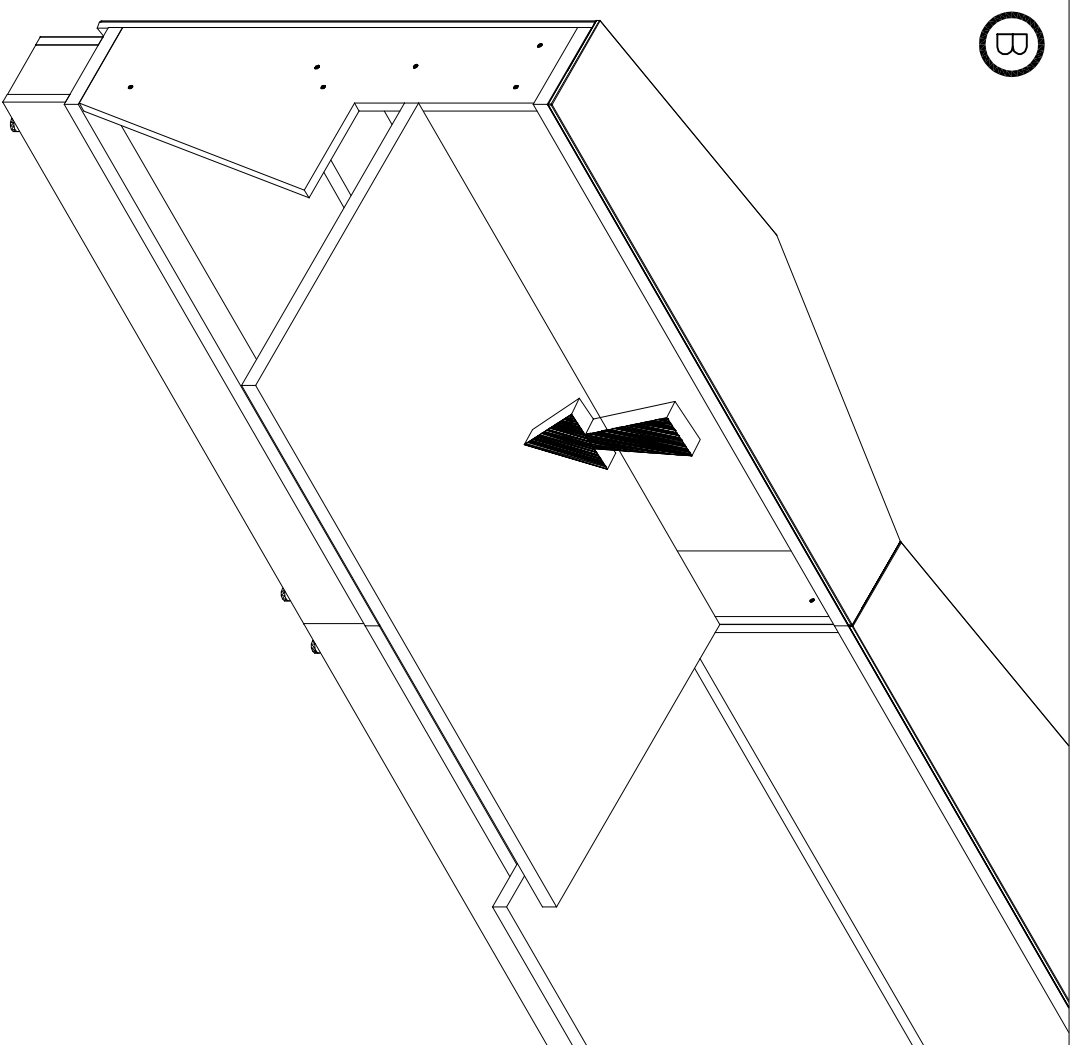
1		1A
		1B
2		M6x14
3		M6x30
4		ø5x20
5		
6		
7		
8		ø3x16

 **ALP...**

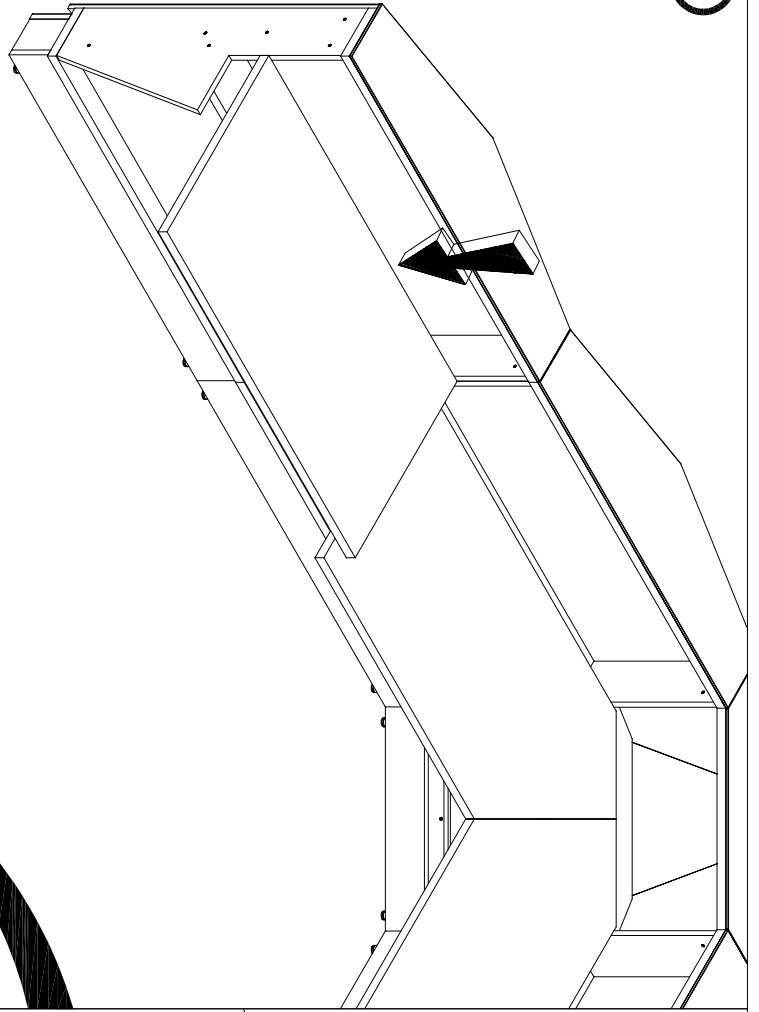
(A)



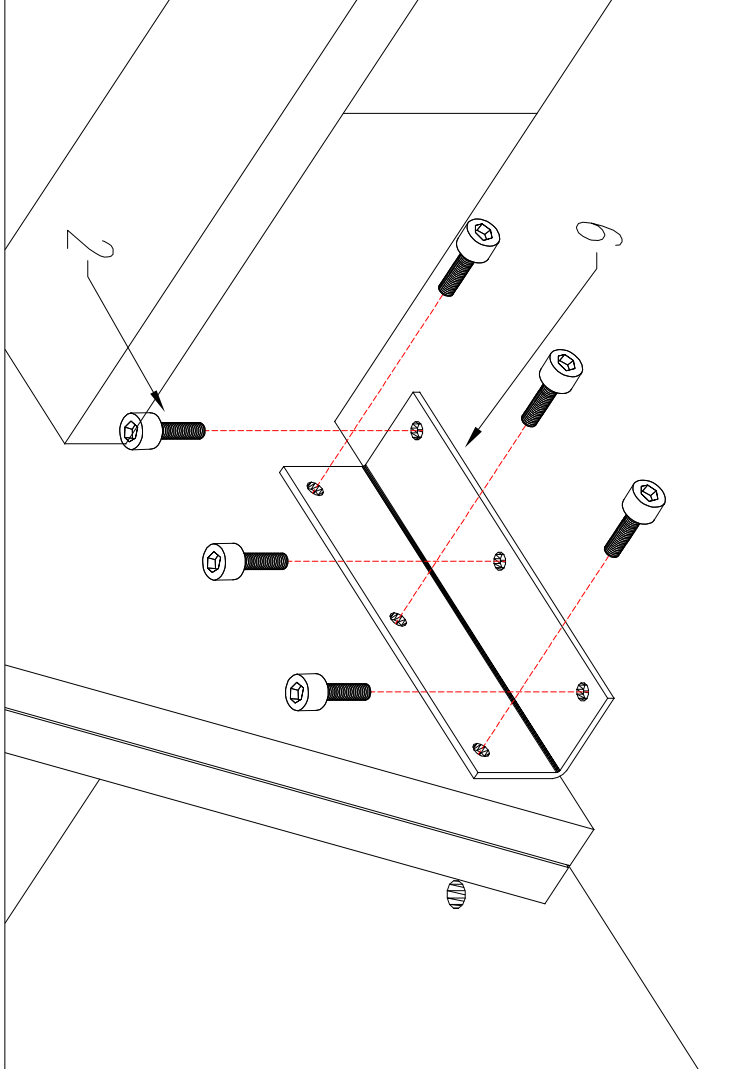
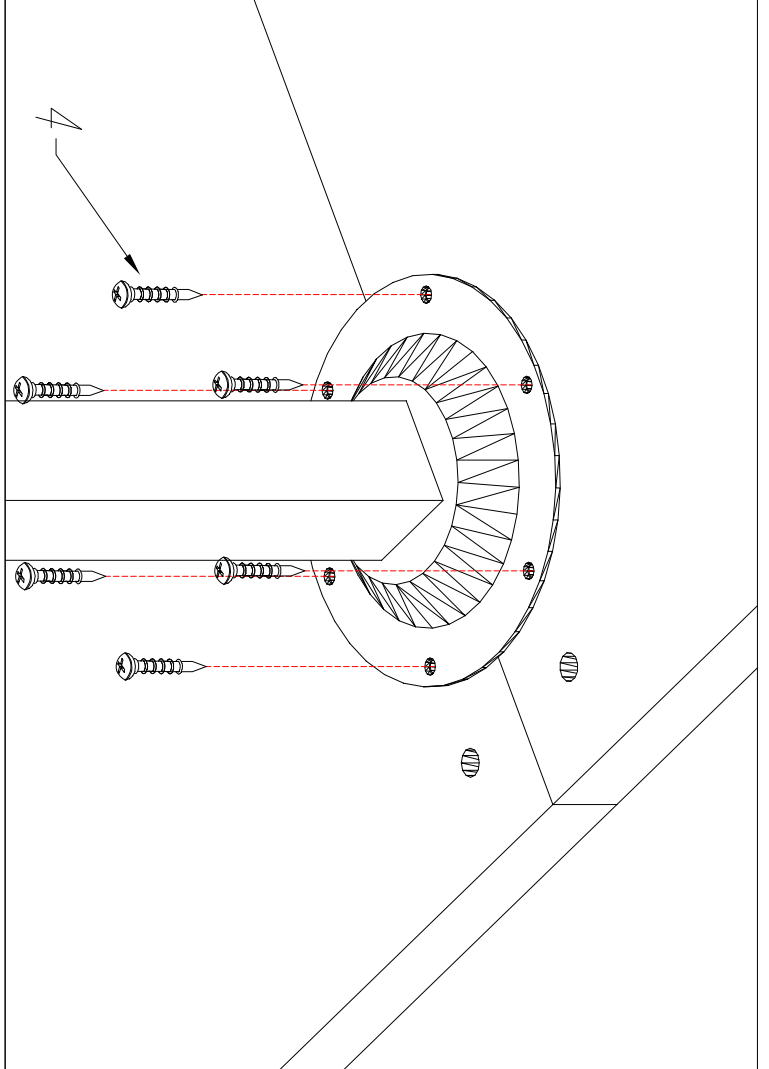
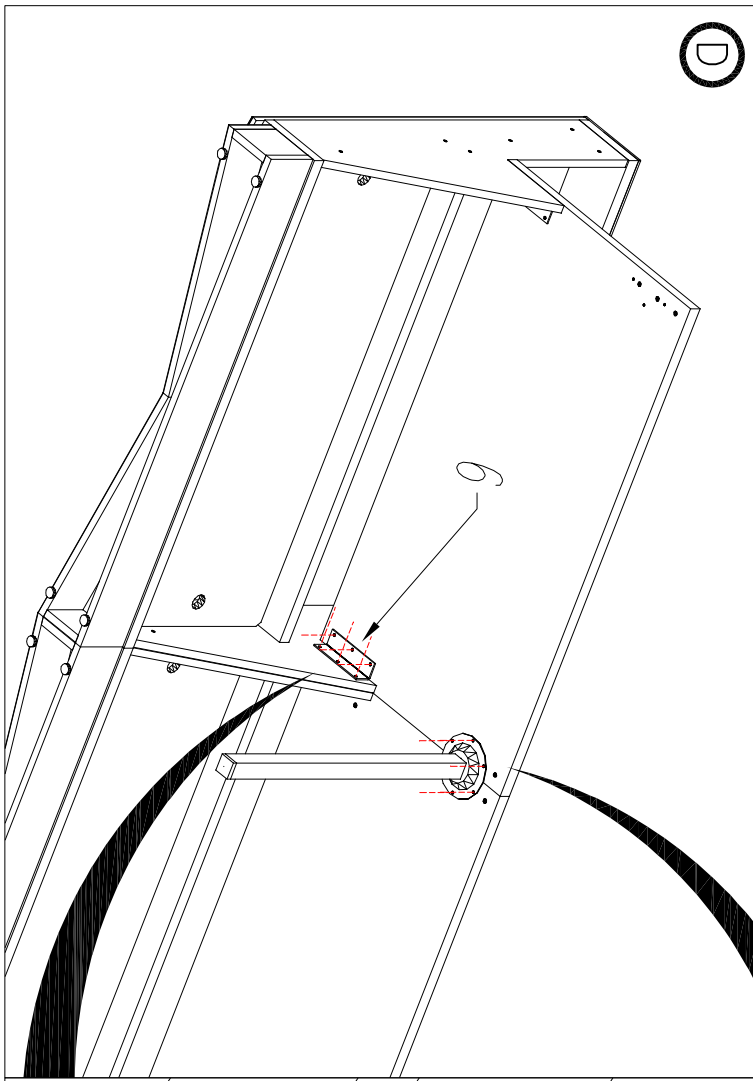
(B)

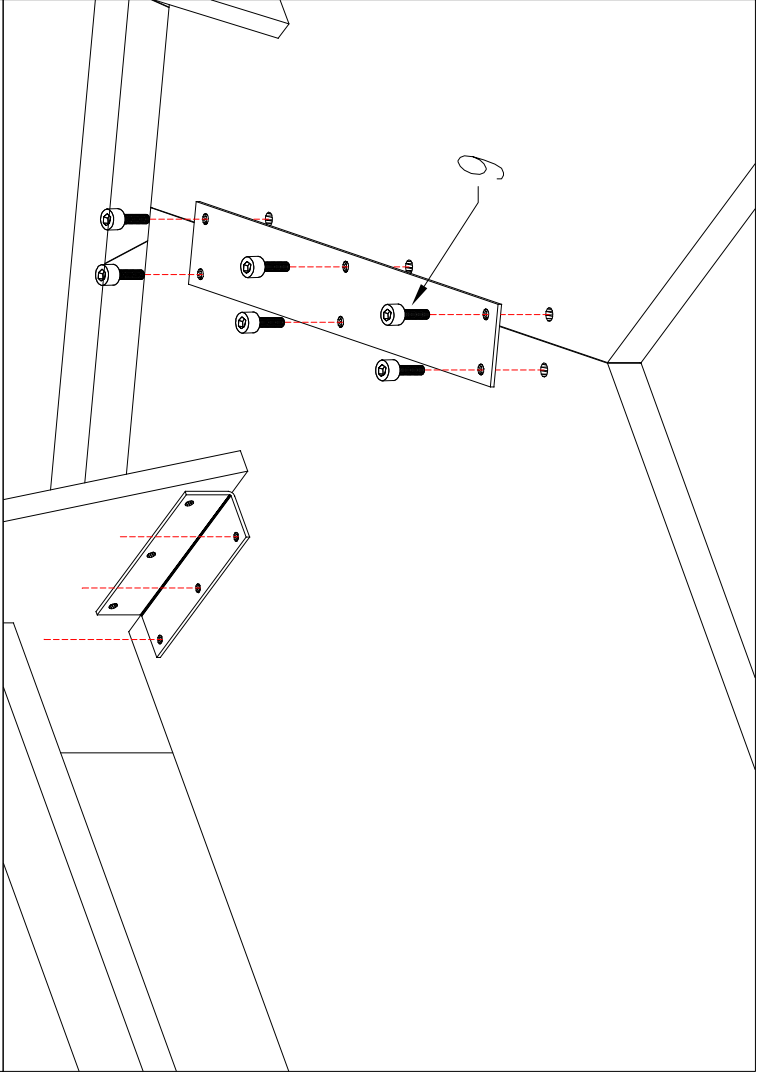
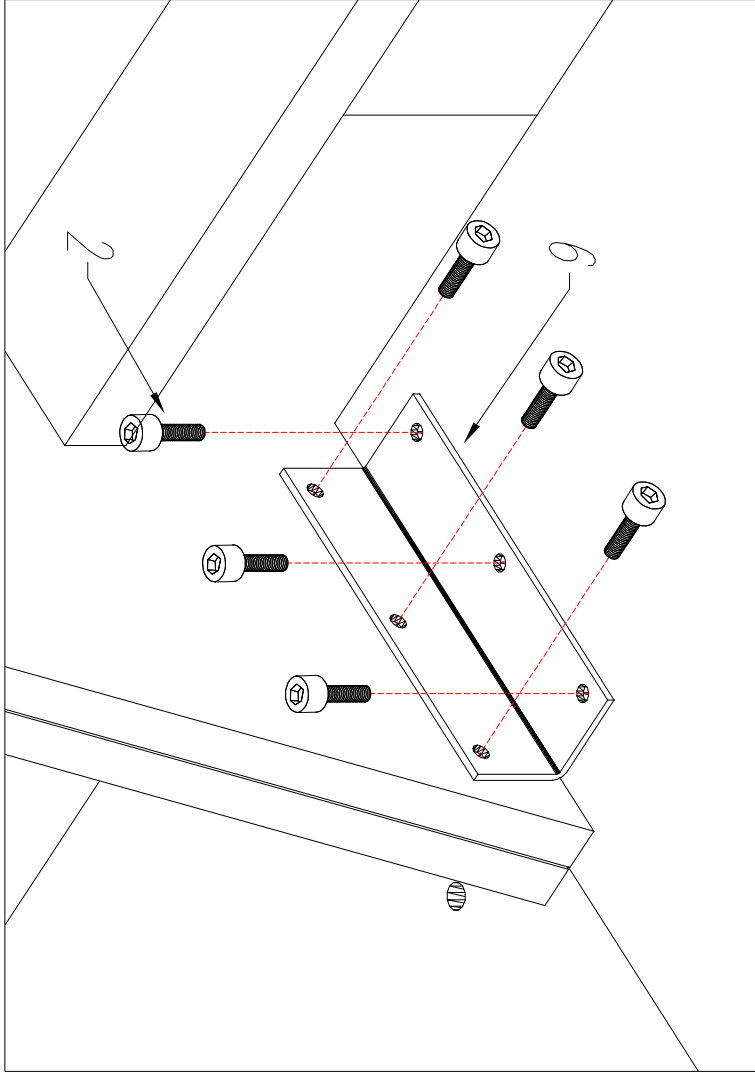
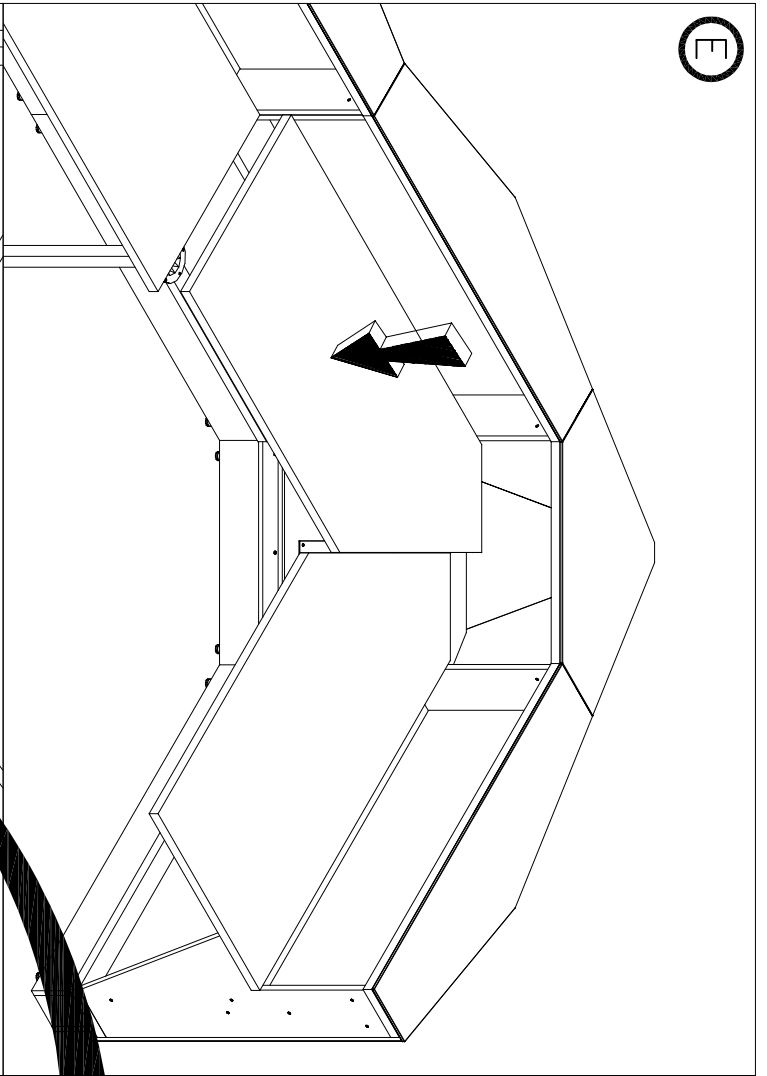
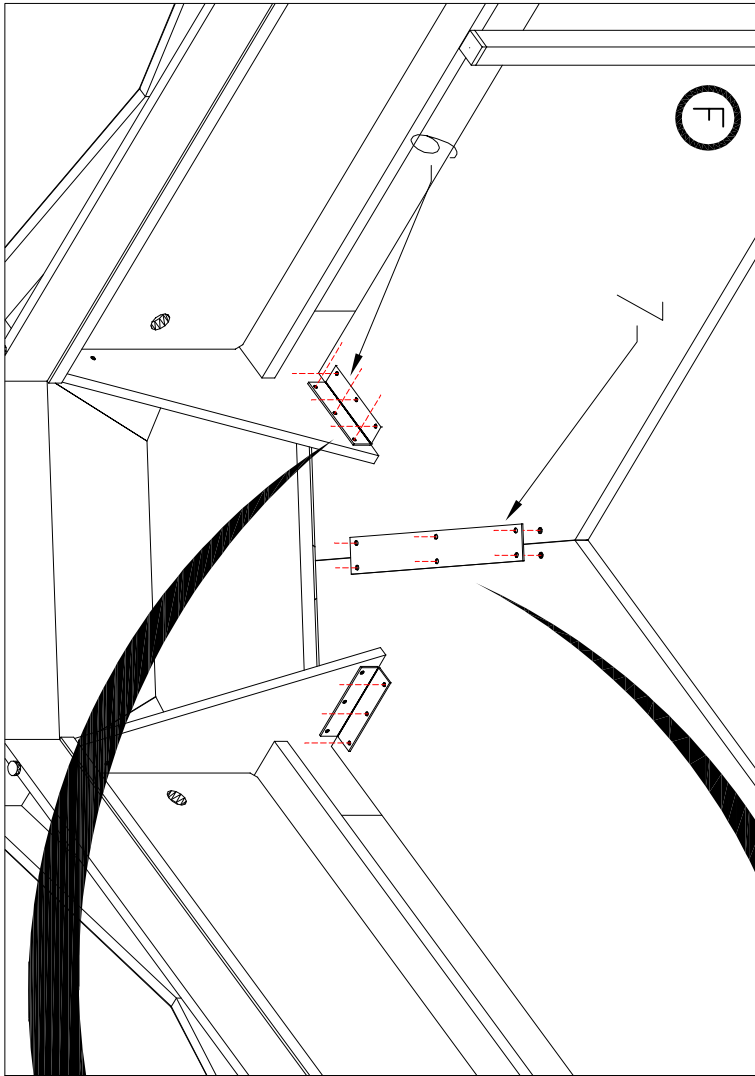


©

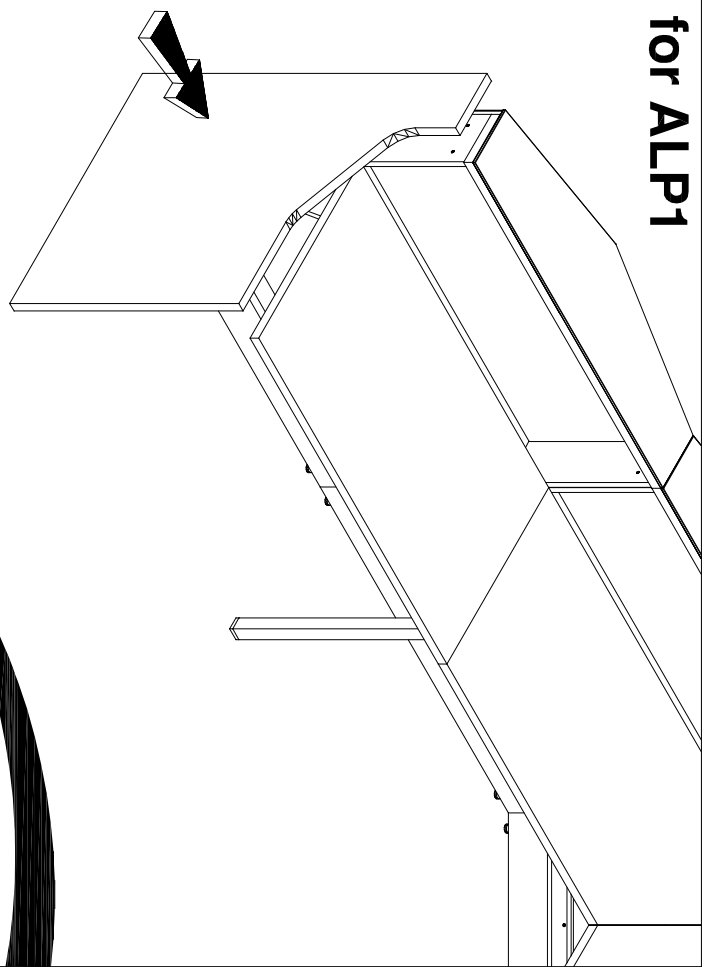


D

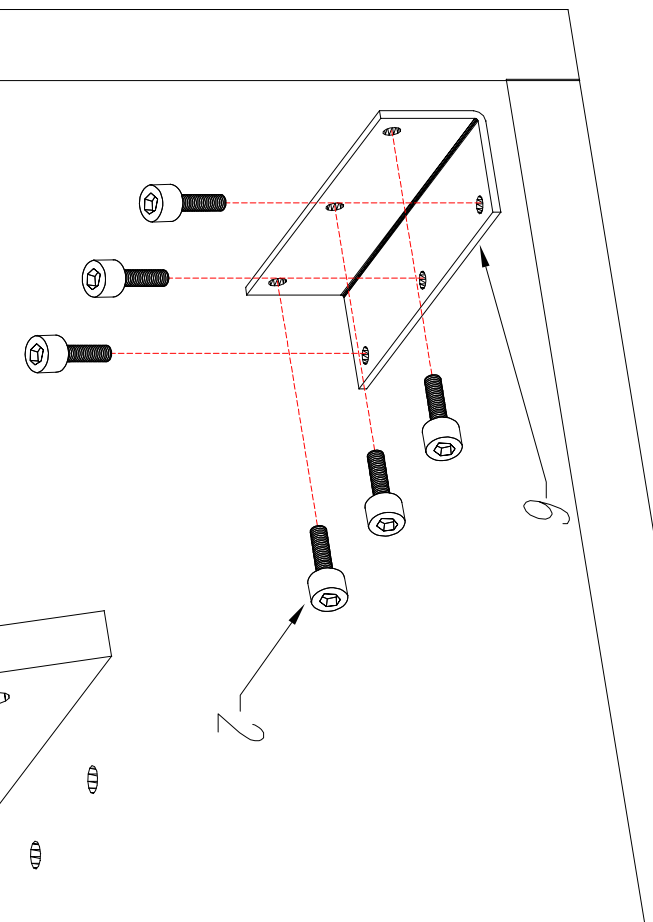
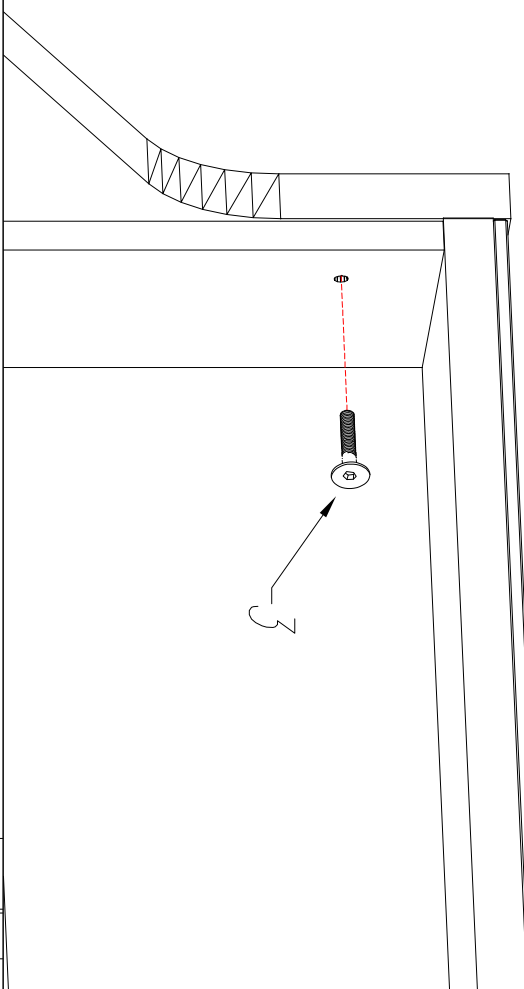
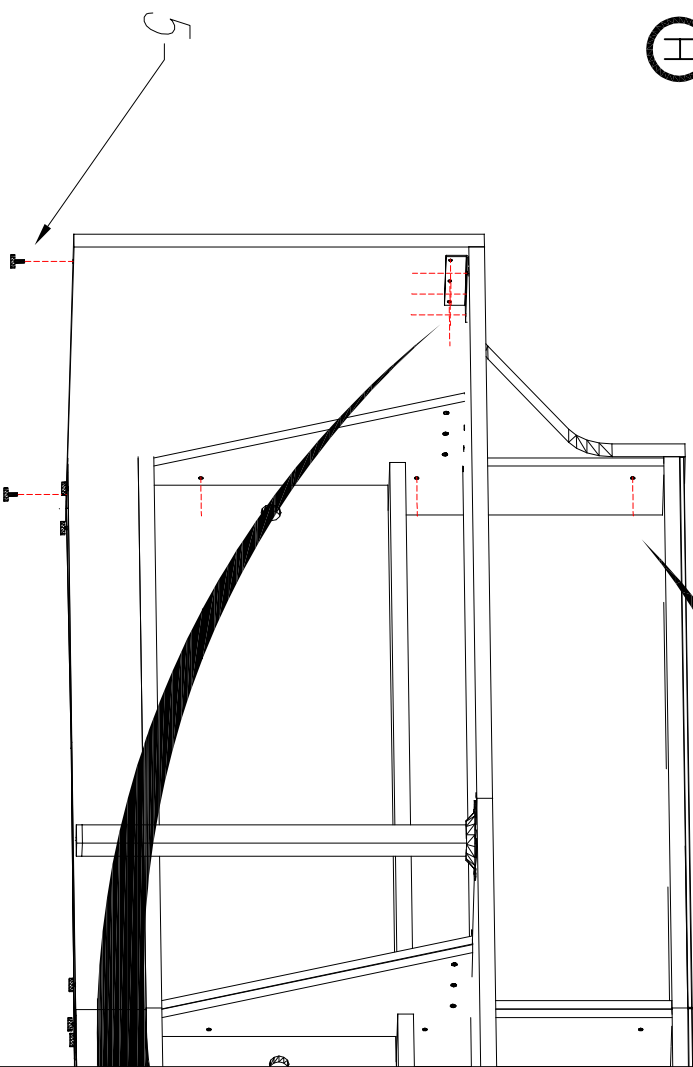




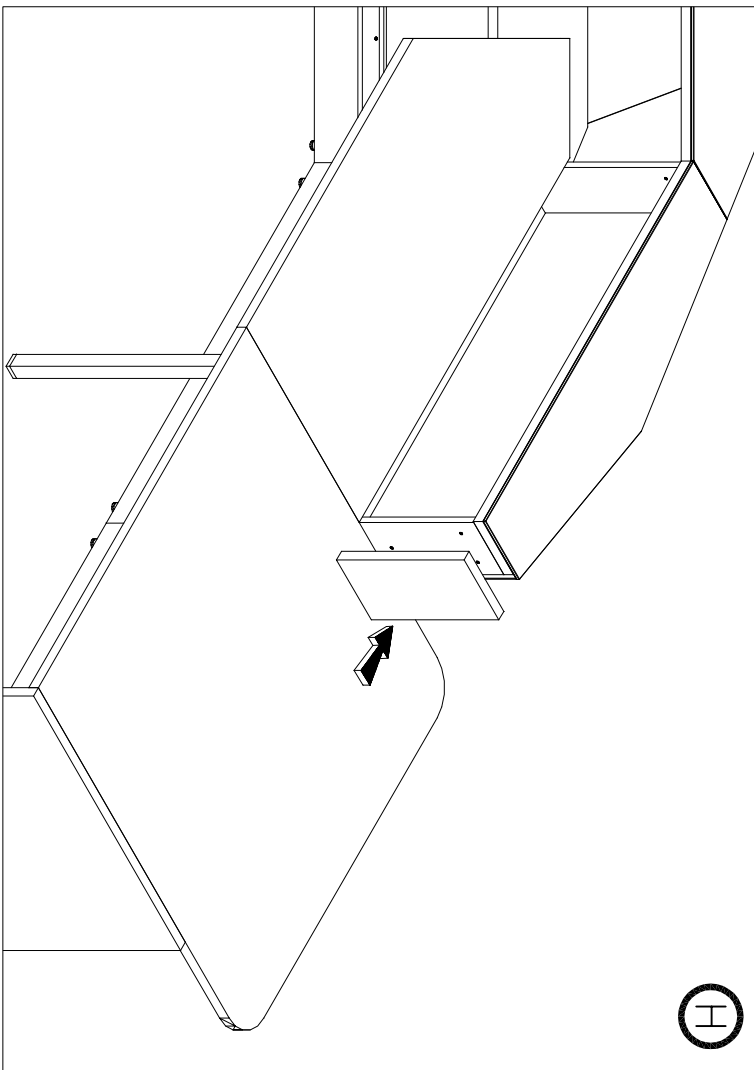
Ⓒ for ALP1



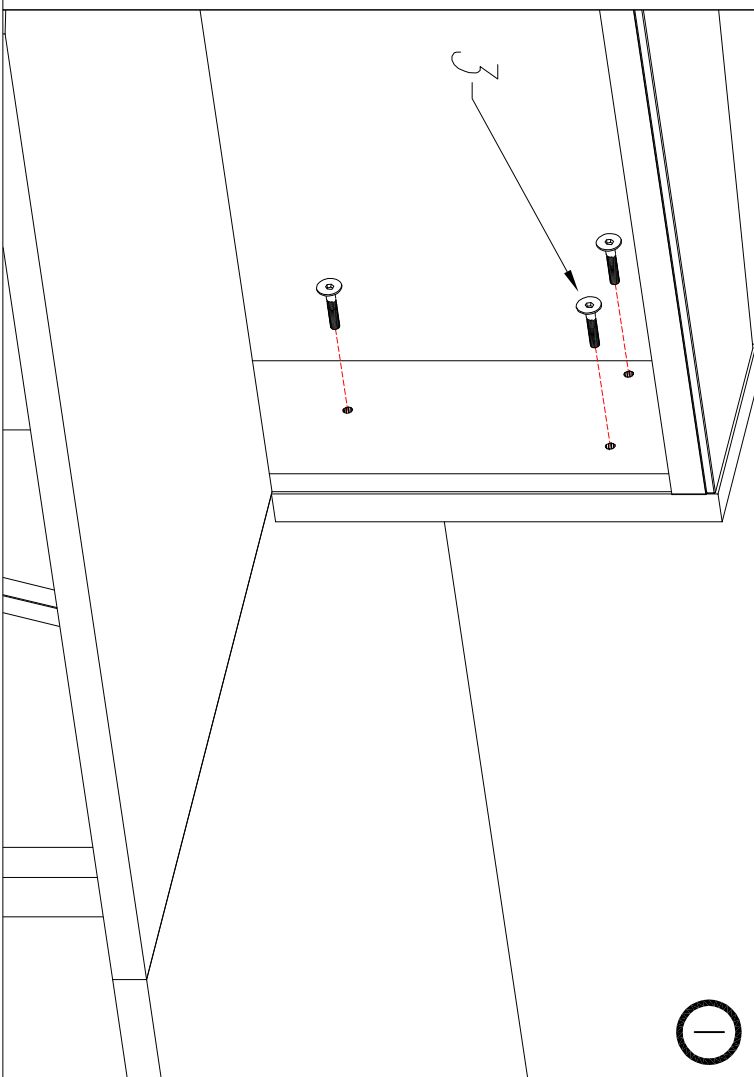
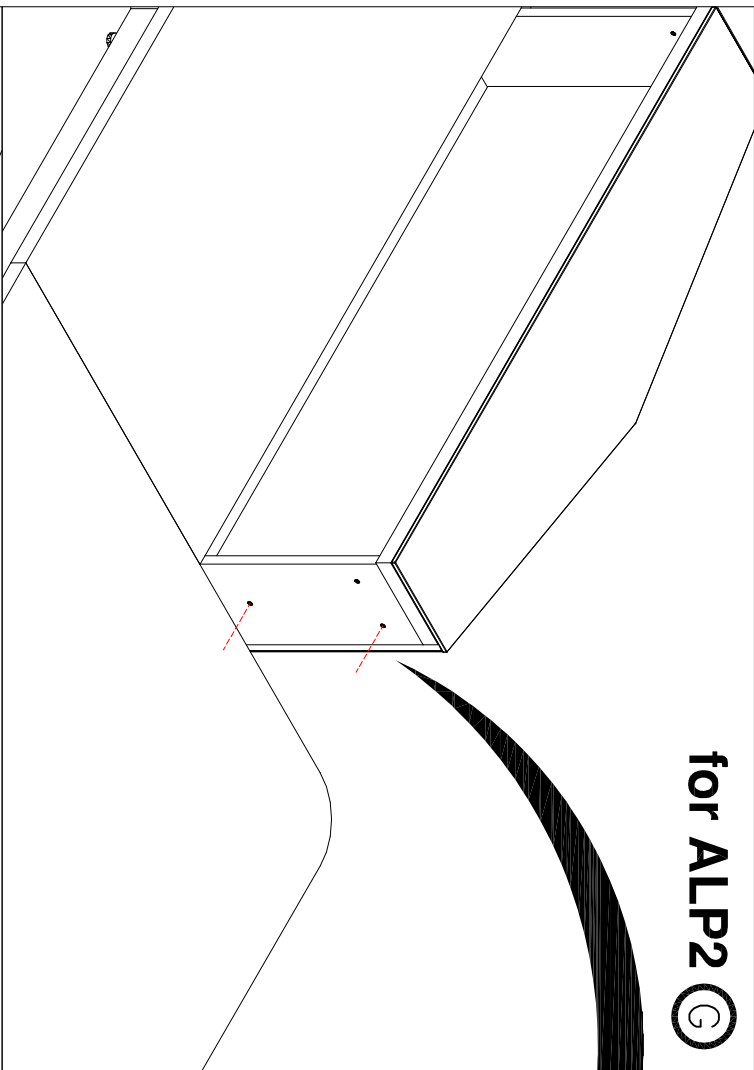
Ⓗ



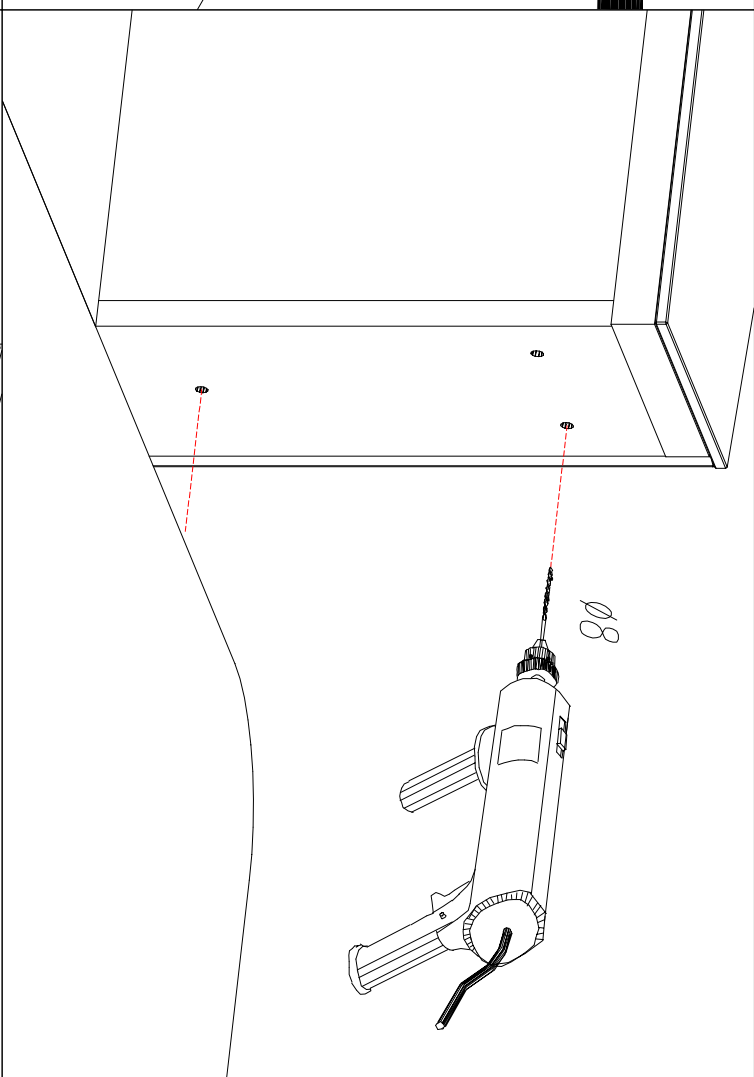
for ALP2 ©



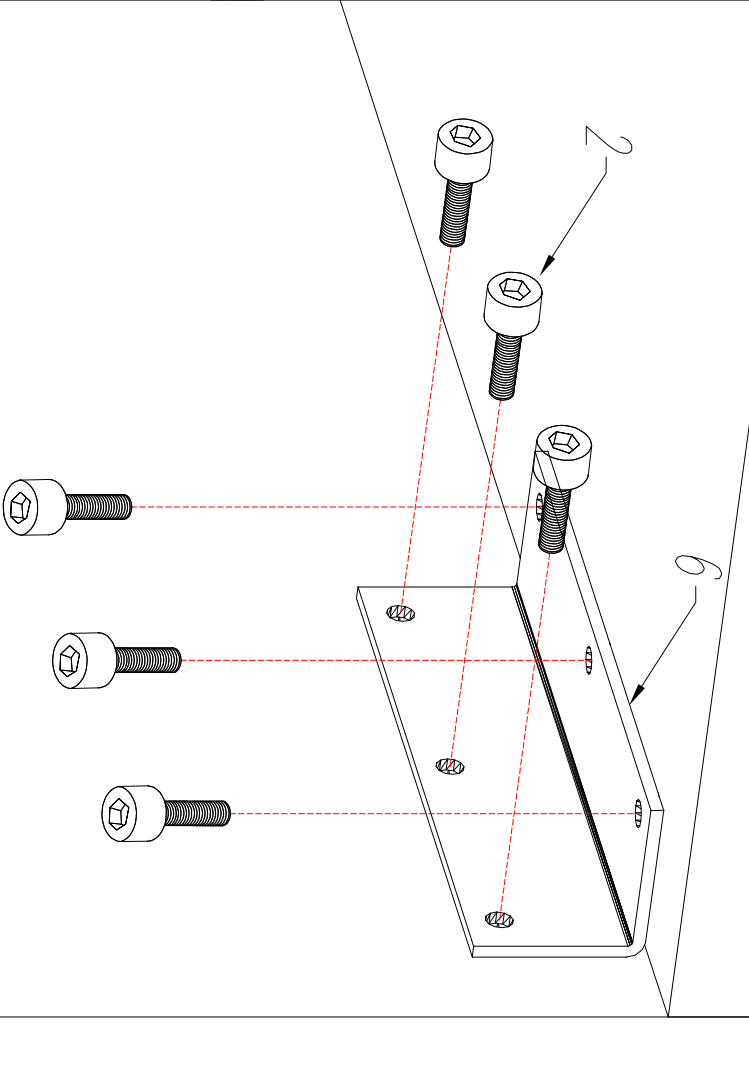
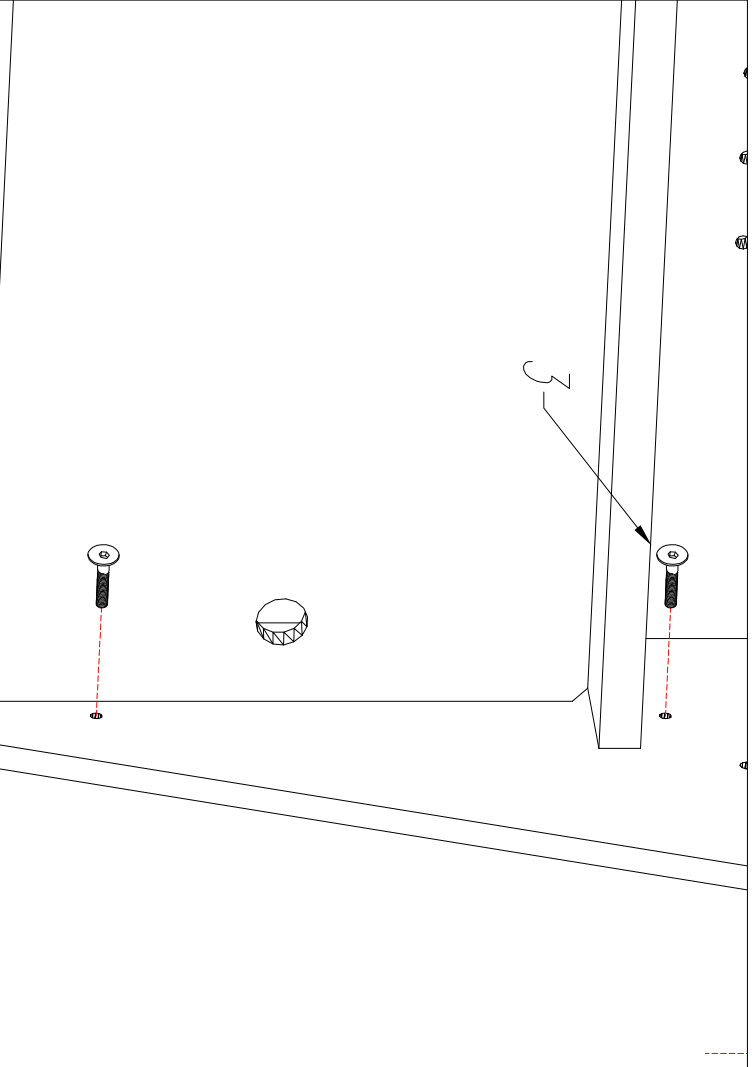
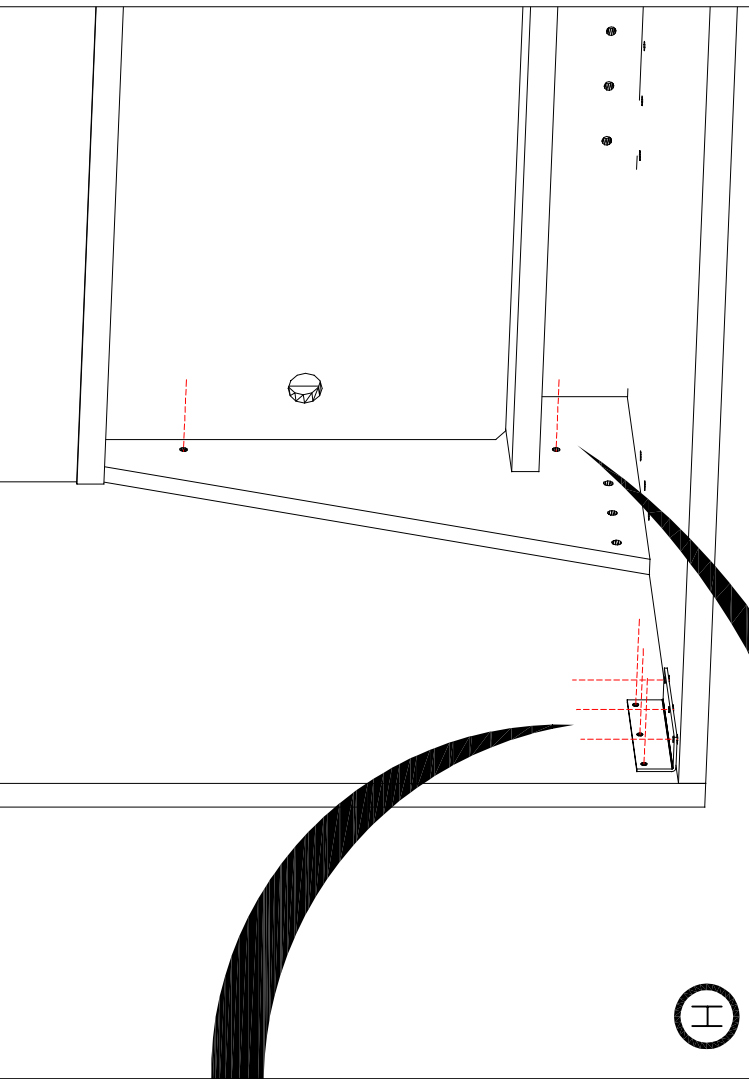
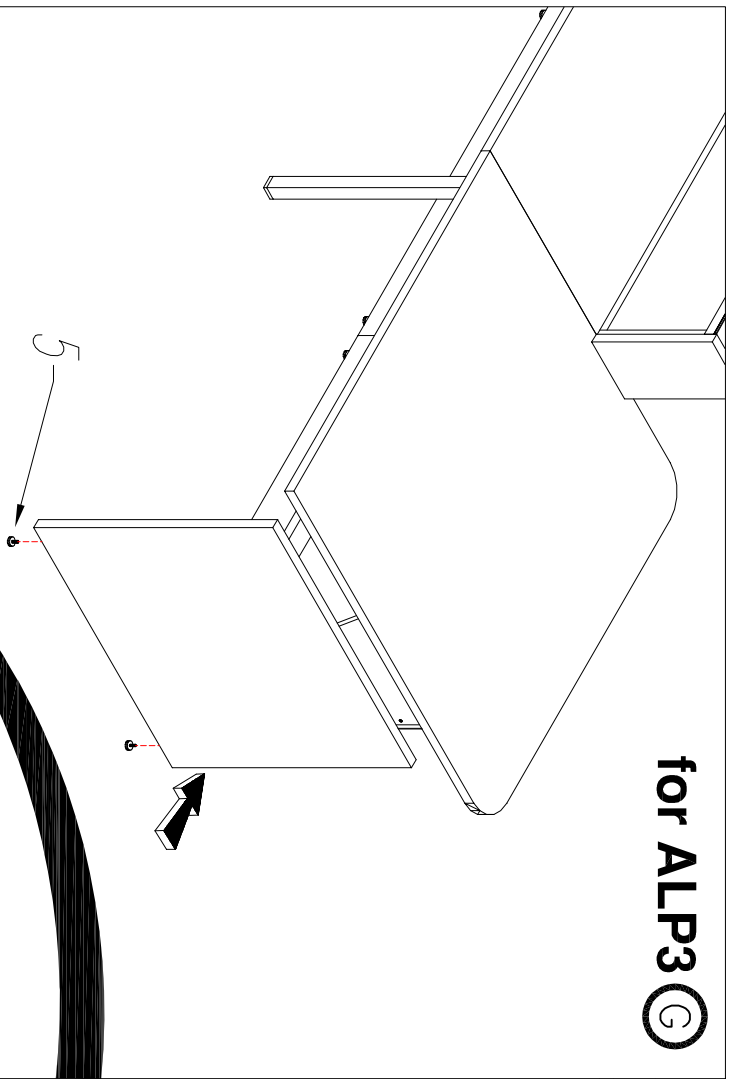
H

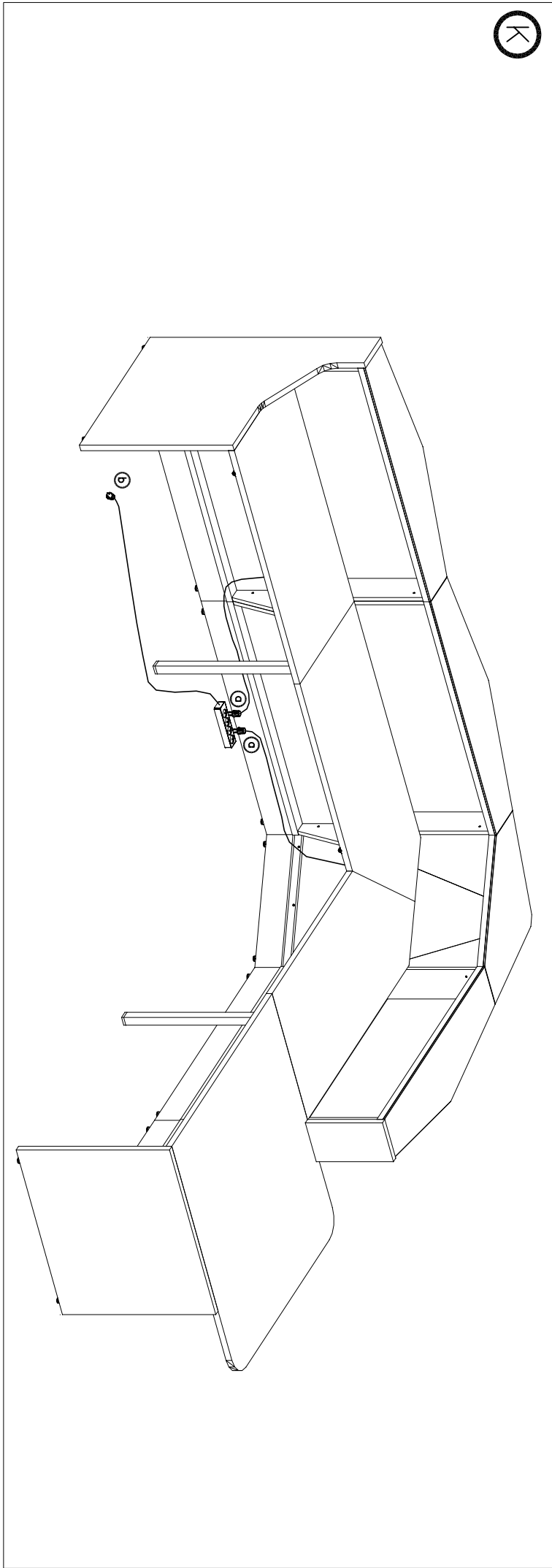


I

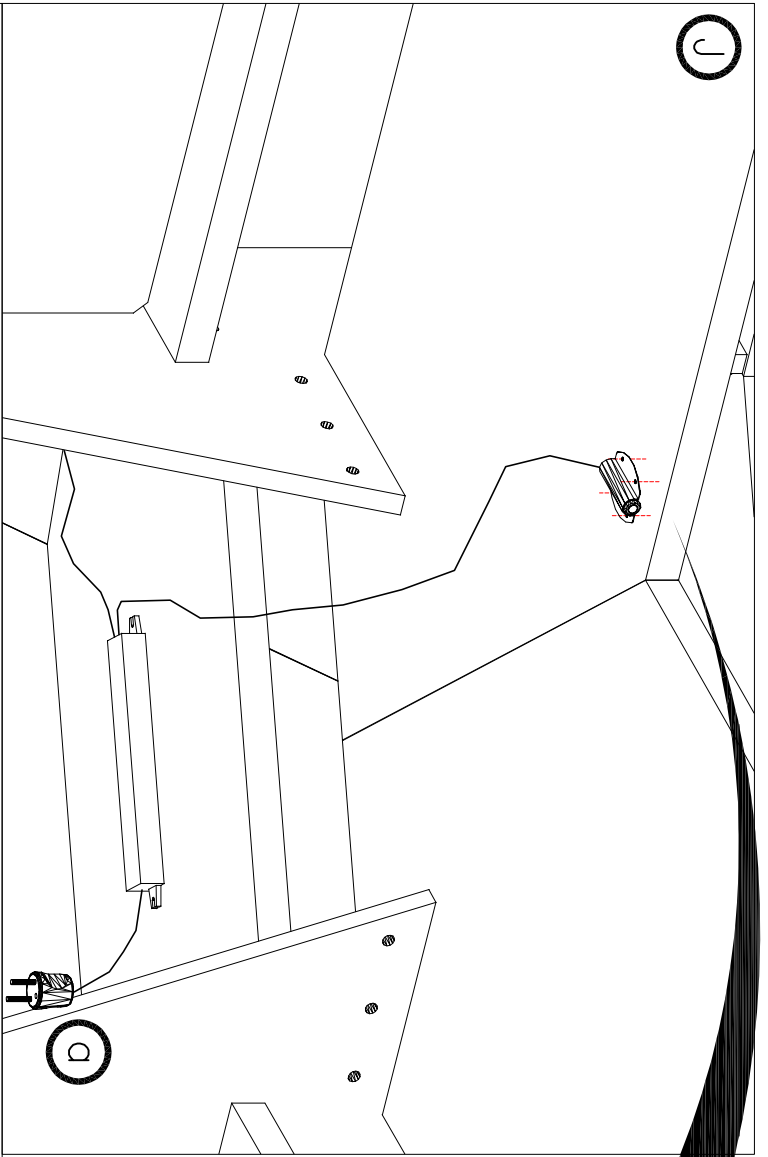


for ALP3 ©





8



9

