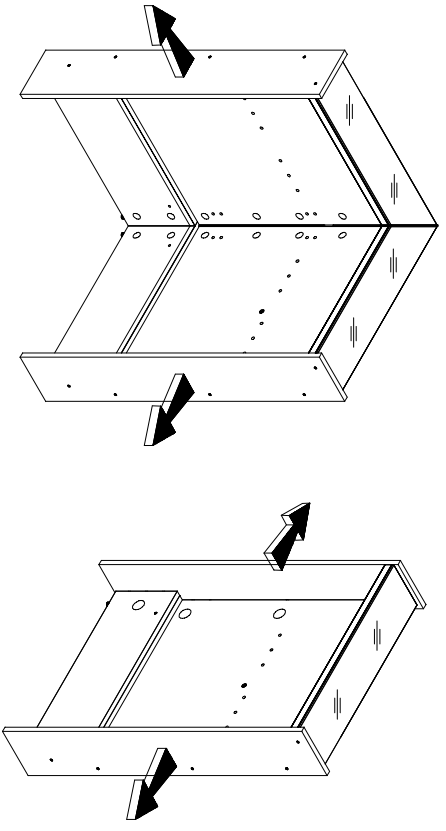
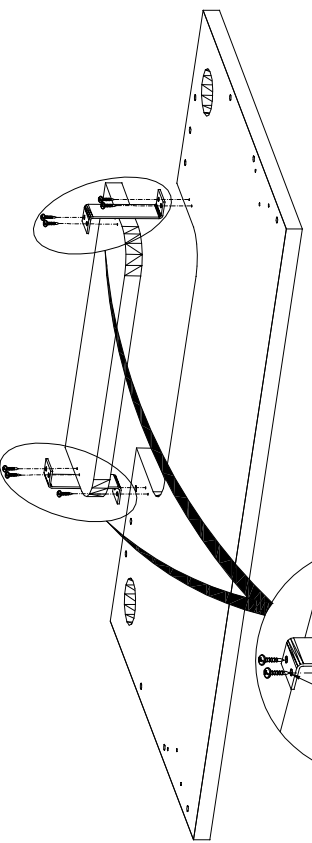


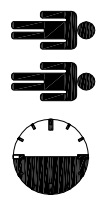
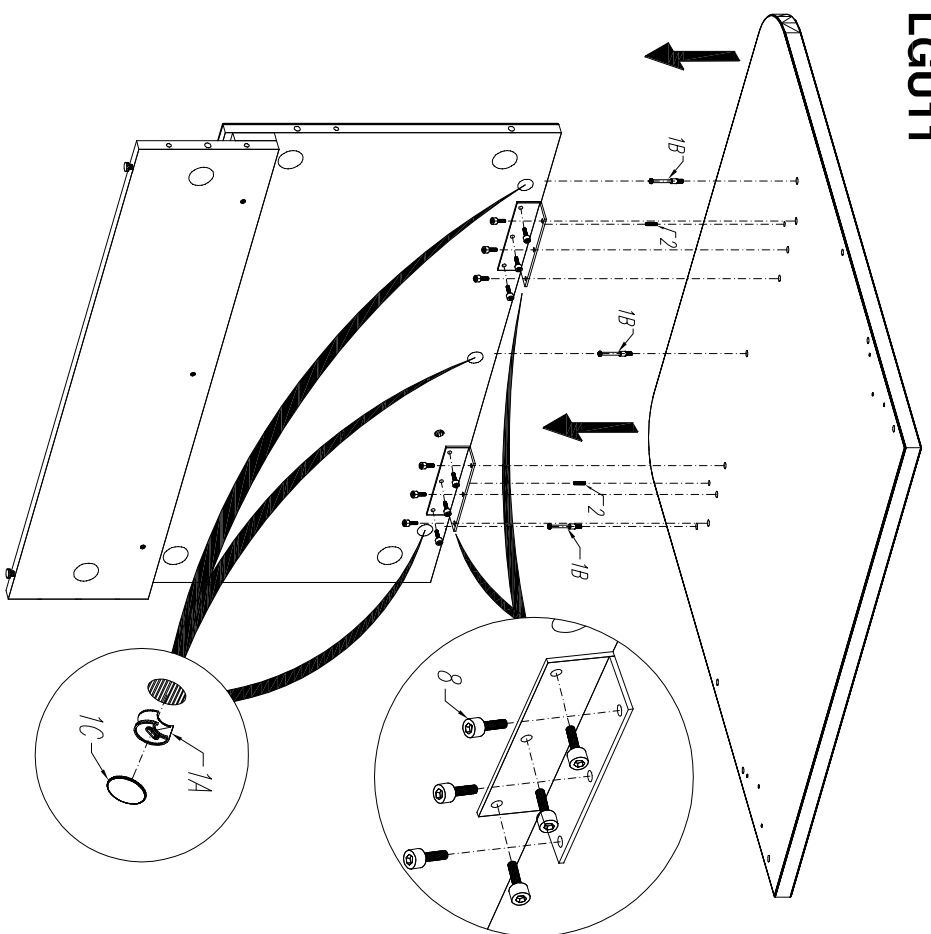
- | | |
|---|--|
| 1 | |
| 2 | |
| 4 | |
| 5 | |
| 6 | |
| 7 | |
| 8 | |
| 9 | |



LGB13T
LGB15T

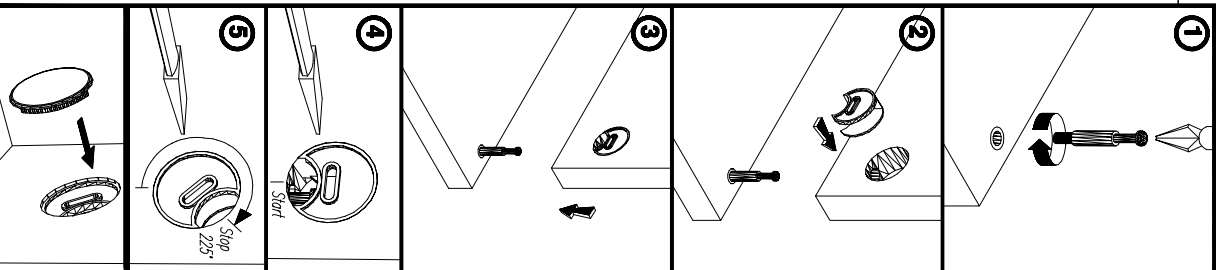


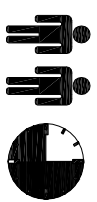
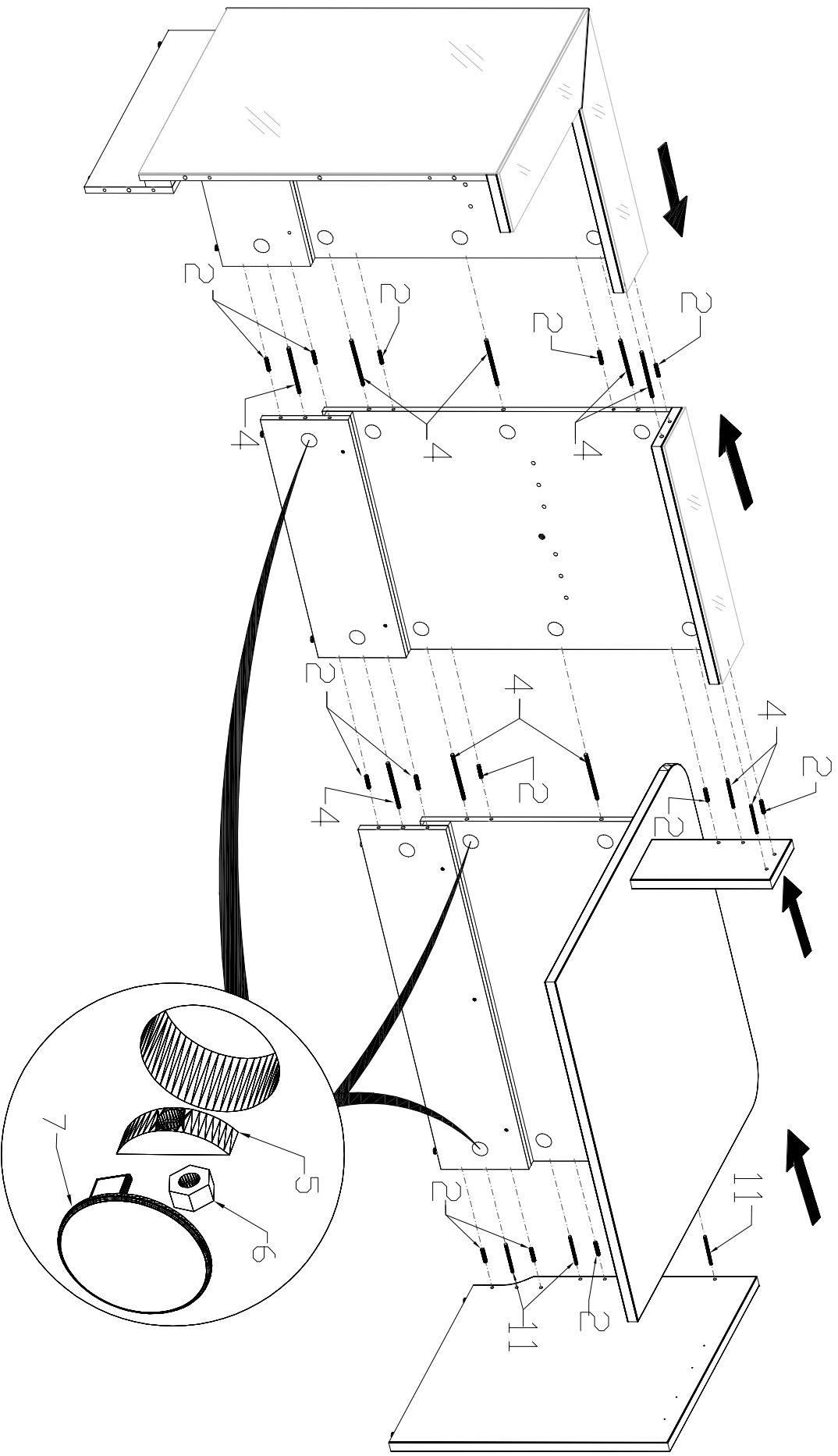
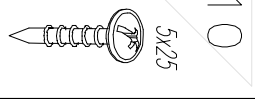
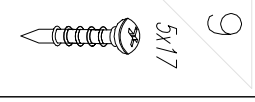
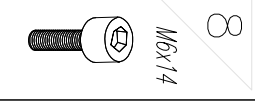
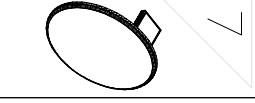
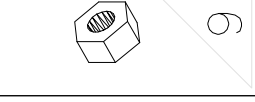
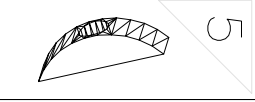
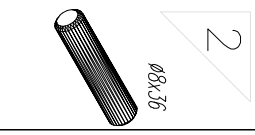
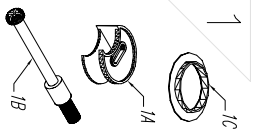
LGU11



LG...

KOLENOSĆ MONTAŻU
MIMOŚRODOWI.
THE FITTINGS SEQUENCE OF THE
CAMS.
DIE MONTAGEABFOLGE VON
EXZENTERN.

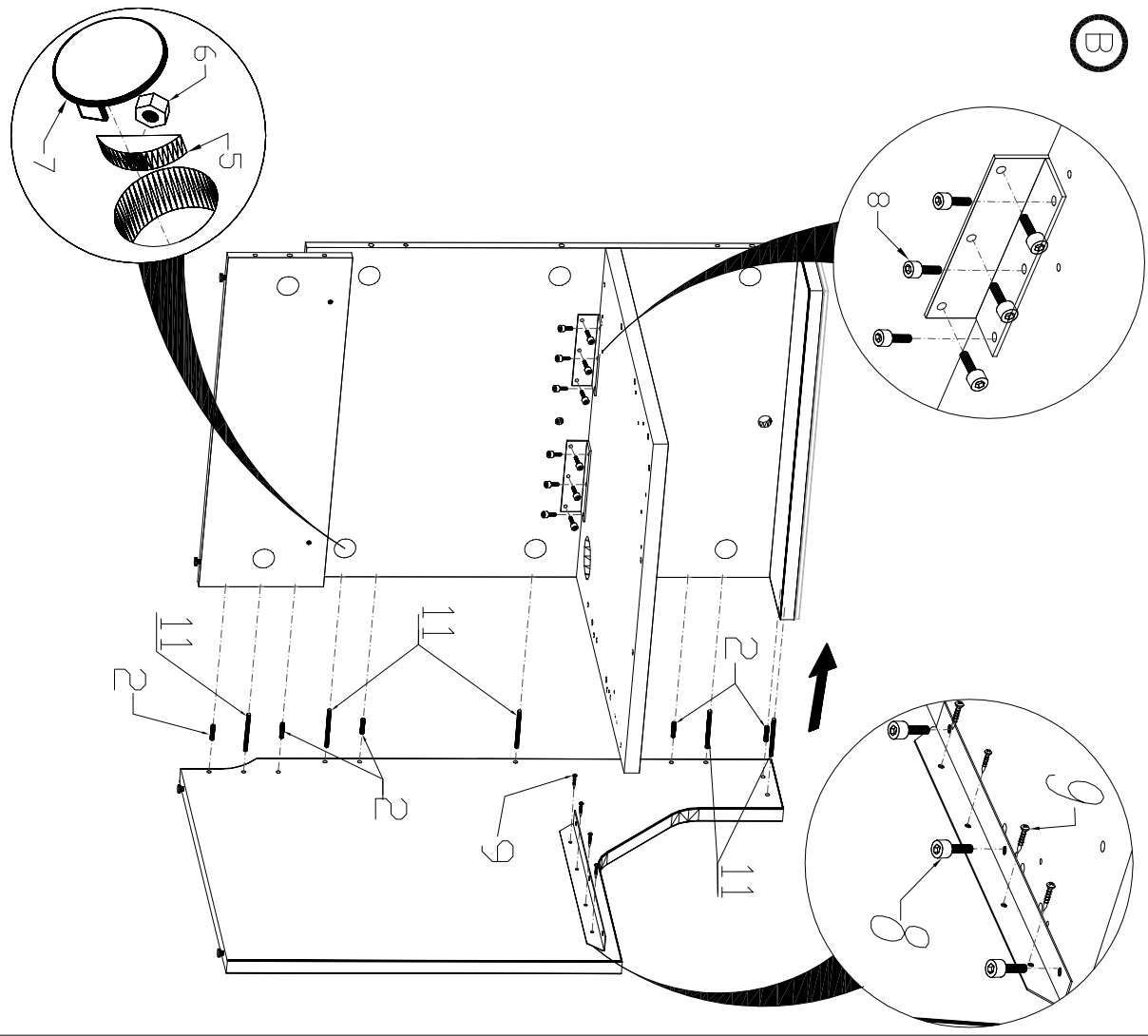




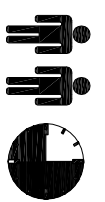
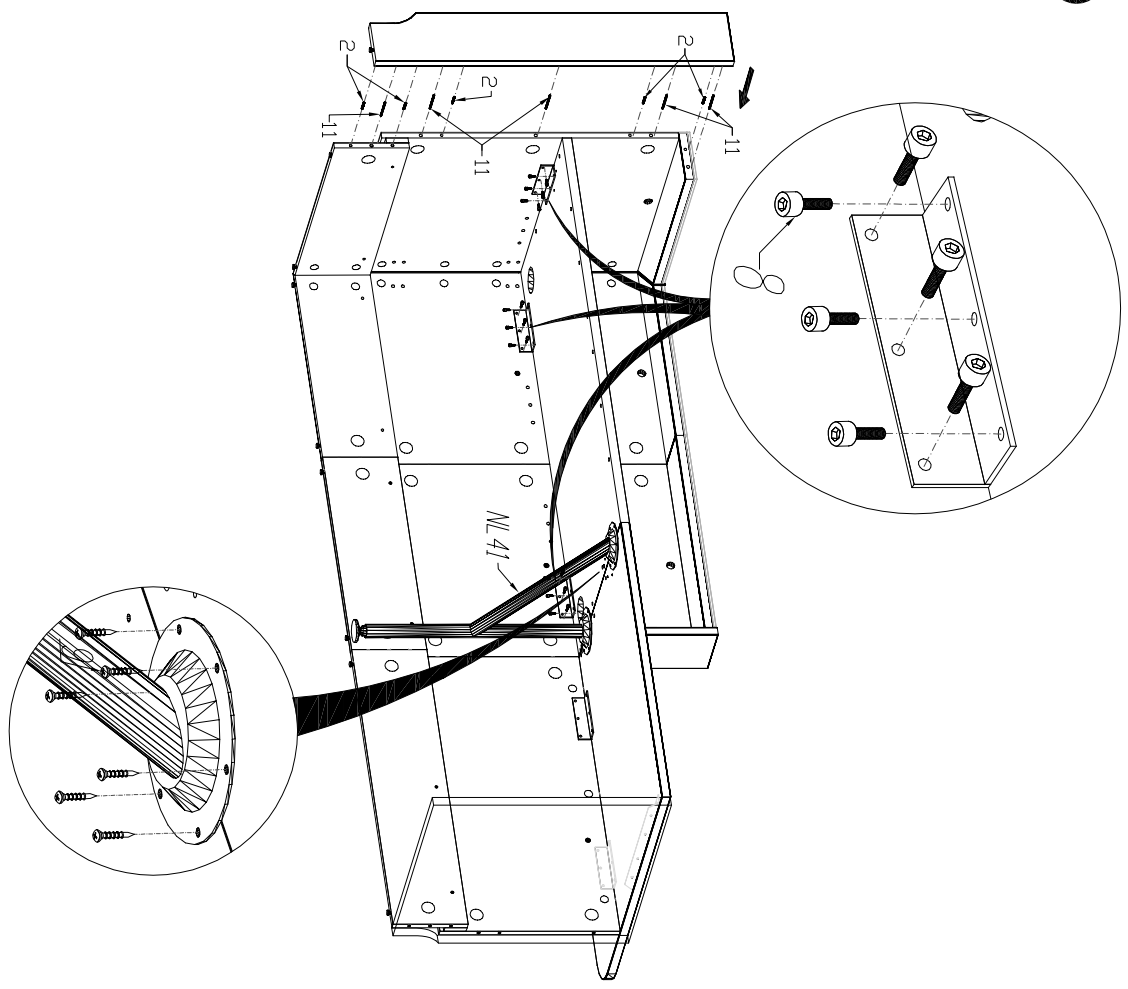
LG...

- | | |
|----|--|
| 1 | |
| 2 | |
| 4 | |
| 5 | |
| 6 | |
| 7 | |
| 8 | |
| 9 | |
| 10 | |
| 11 | |

B



C



LG...

