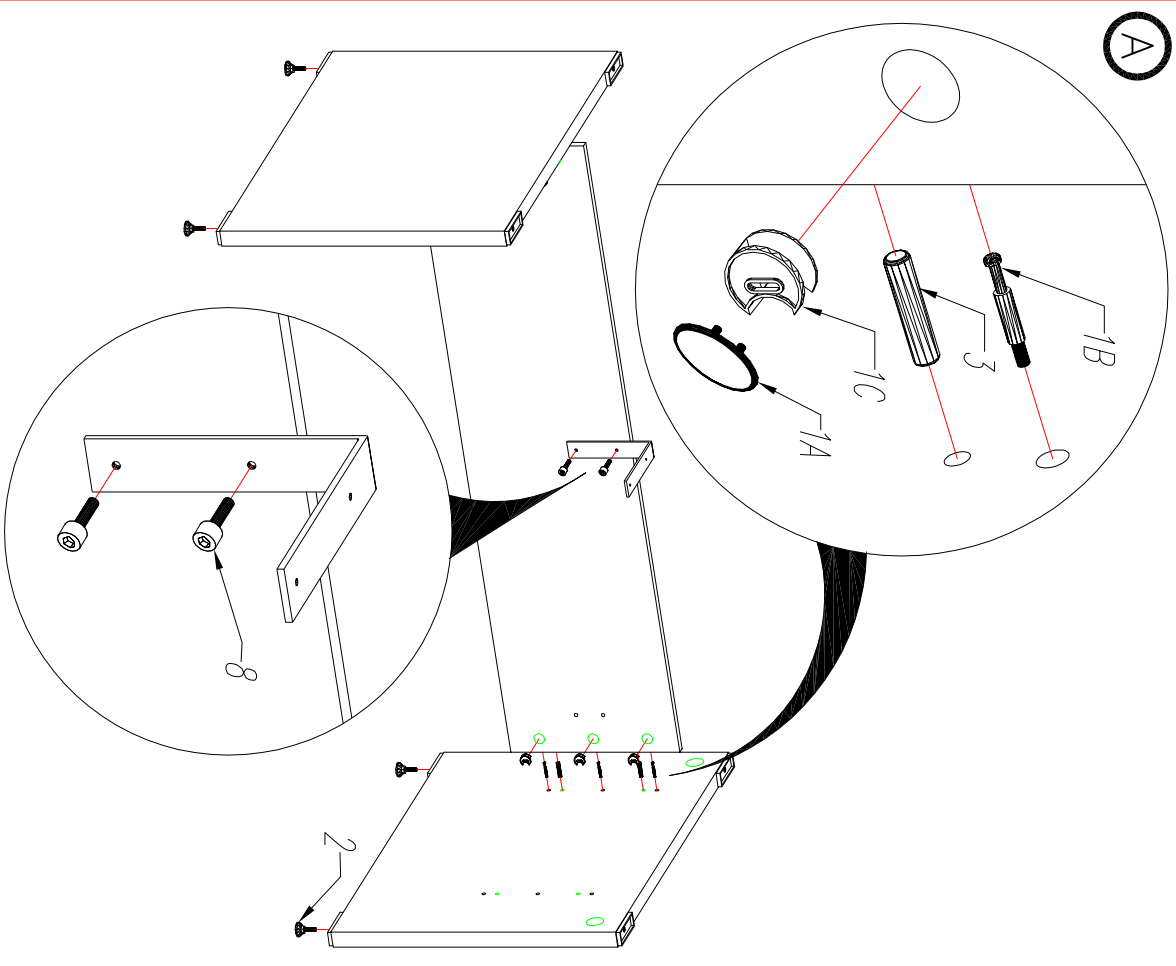


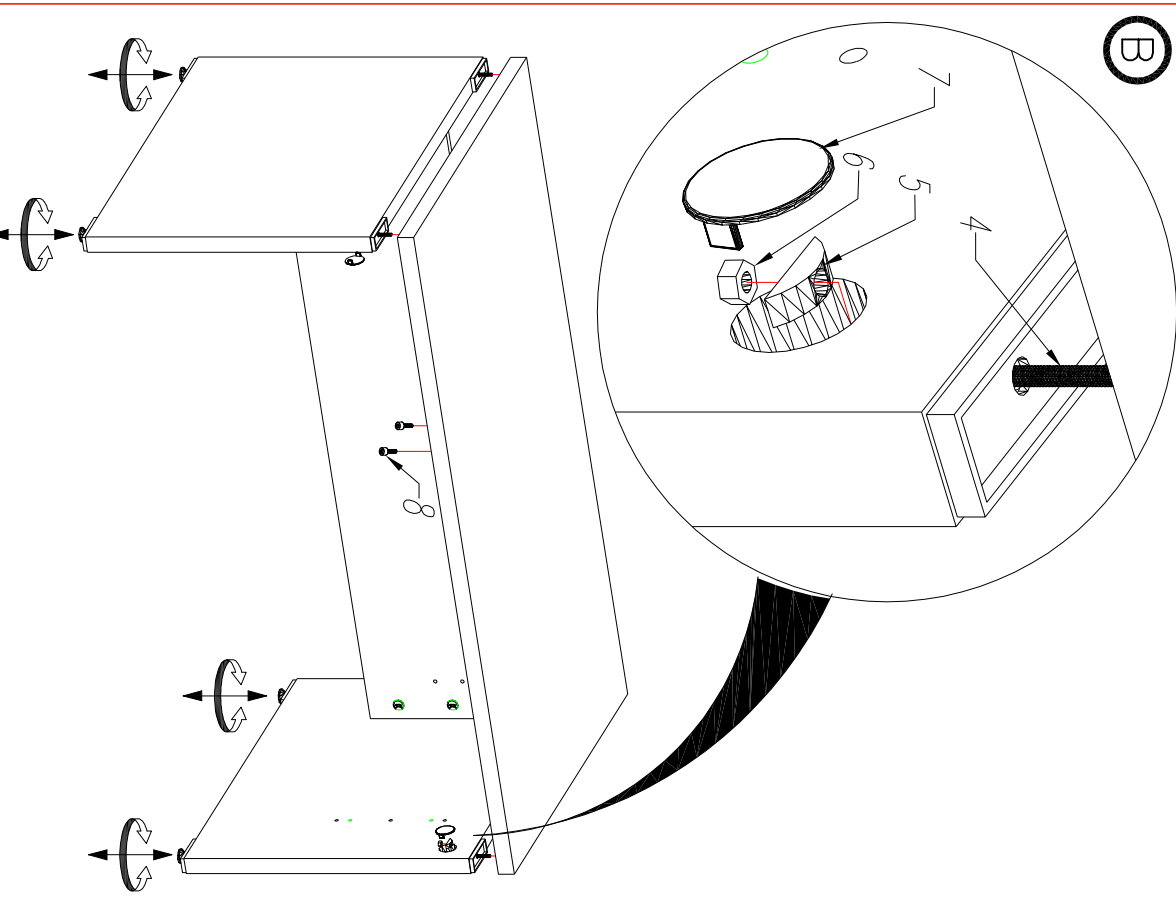
# Q16\_Q19

- |   |  |       |    |
|---|--|-------|----|
| 1 |  | 1A    | 1B |
| 2 |  | x4    |    |
| 3 |  | ø8x36 | x4 |
| 4 |  | M6x98 | x4 |
| 5 |  | x4    |    |
| 6 |  | x4    |    |
| 7 |  | x4    |    |
| 8 |  | M6x14 | x4 |

(A)



(B)



KOLEJNOŚĆ MONTAŻU  
MIMOSRODOW.  
THE FITTINGS SEQUENCE OF THE  
CAMS.  
DIE MONTAGEFOLGE VON  
EXZENTERN.

