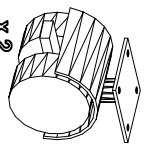
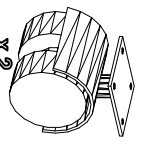

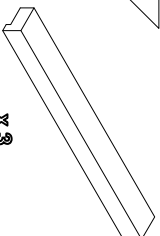




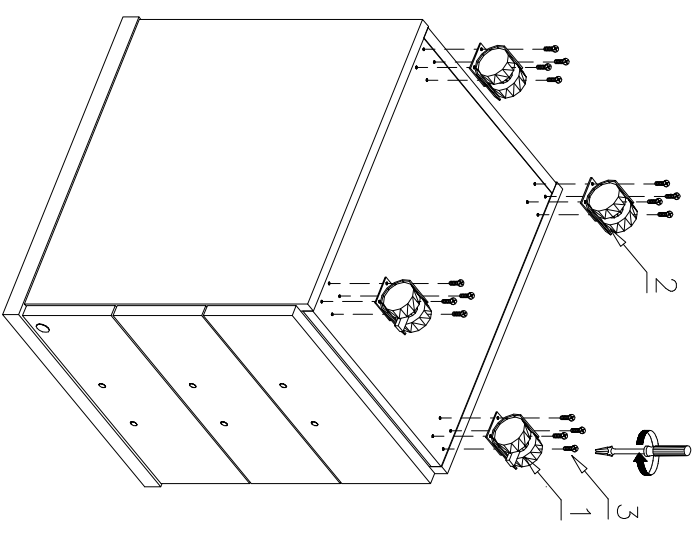
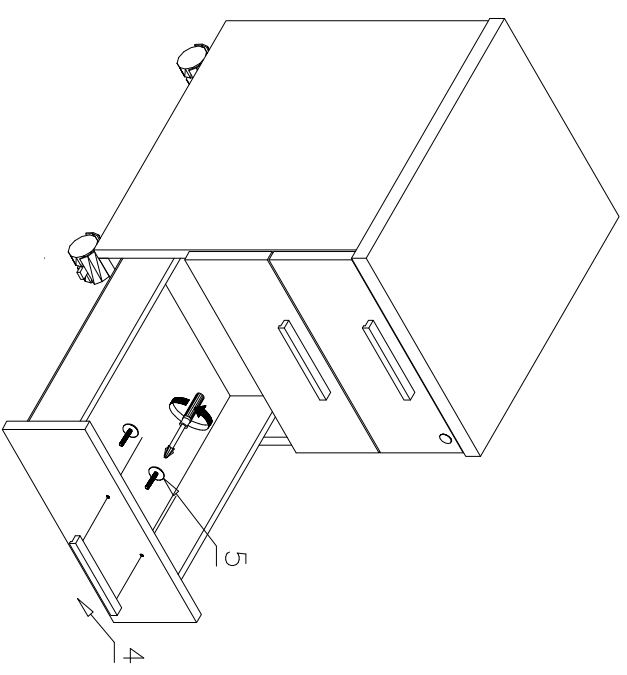


- | | | |
|---|---|---------------|
| 1 |  | x 2 |
| 2 |  | x 2 |
| 3 |  | x 16 ø5x13 |
| 4 |  | x 9 |
| 5 |  | x 6 M4x25 |
| 6 |  | x 1 |
|  | | |
|  | | |

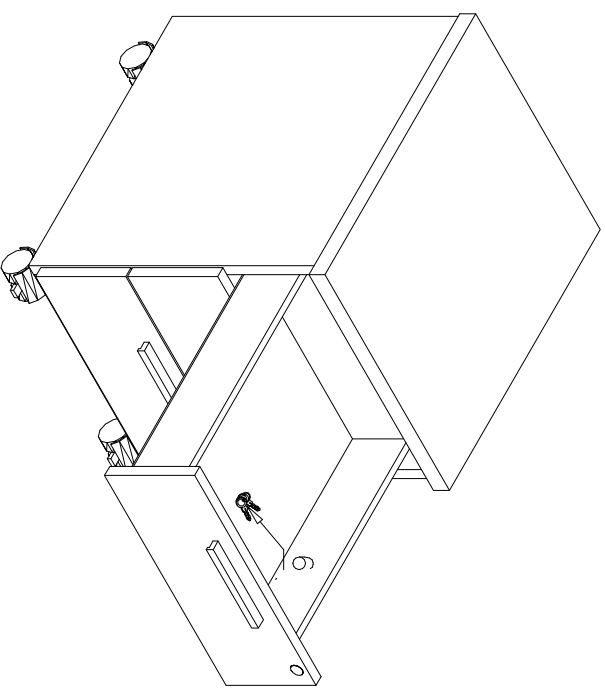
A



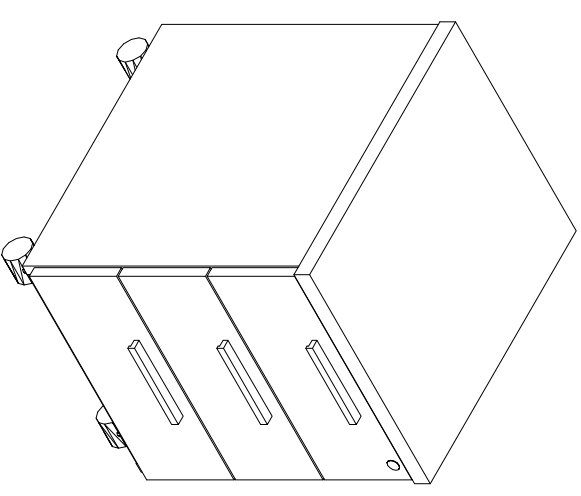
B



C



D



Ø13