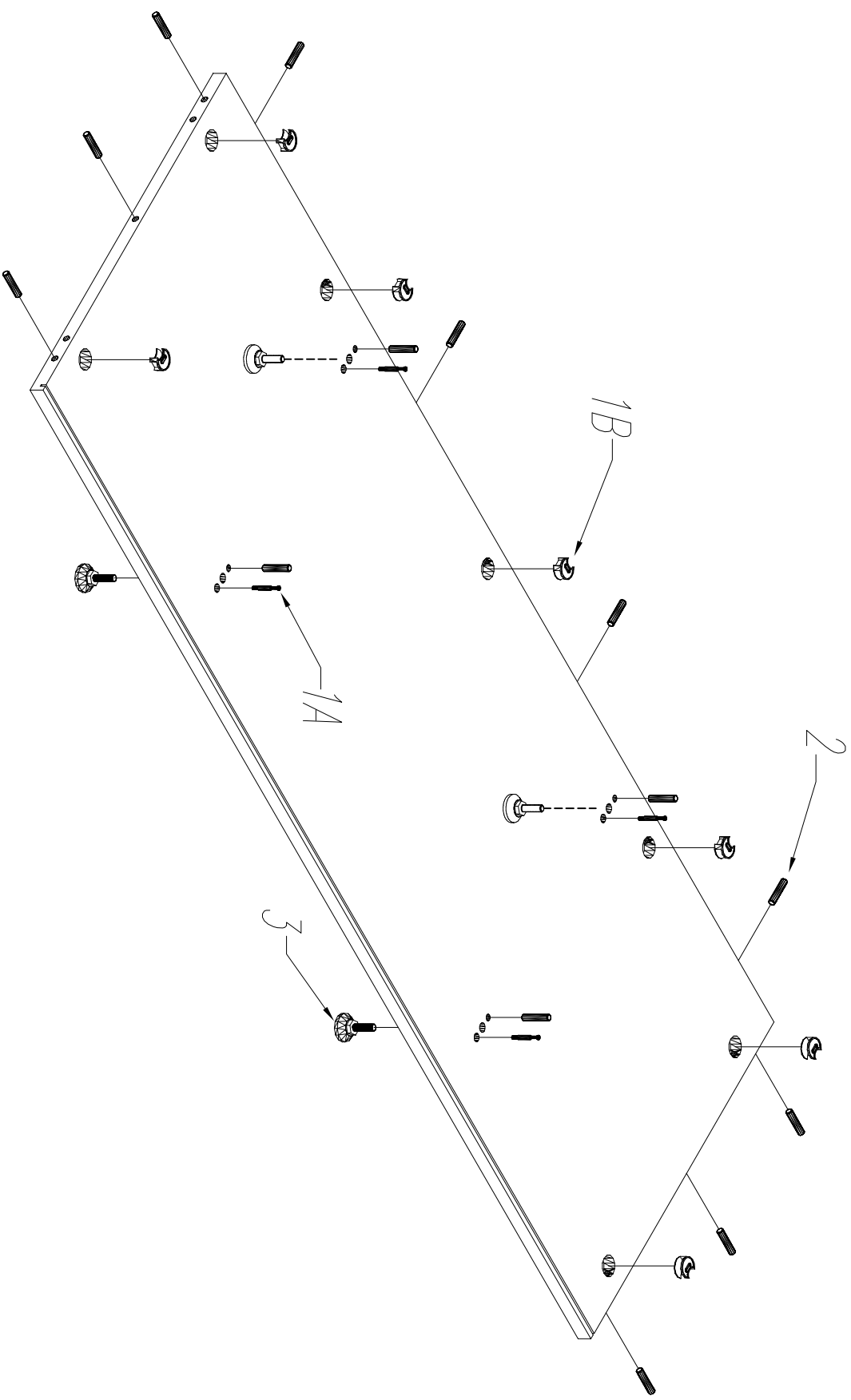


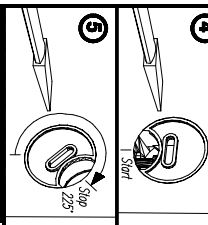
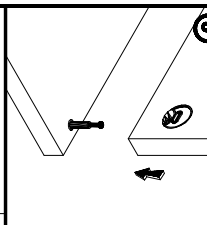
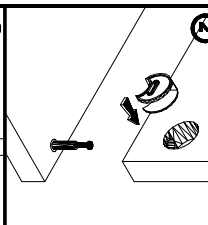
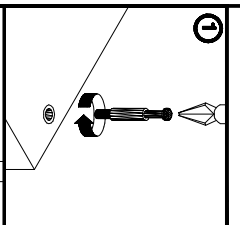


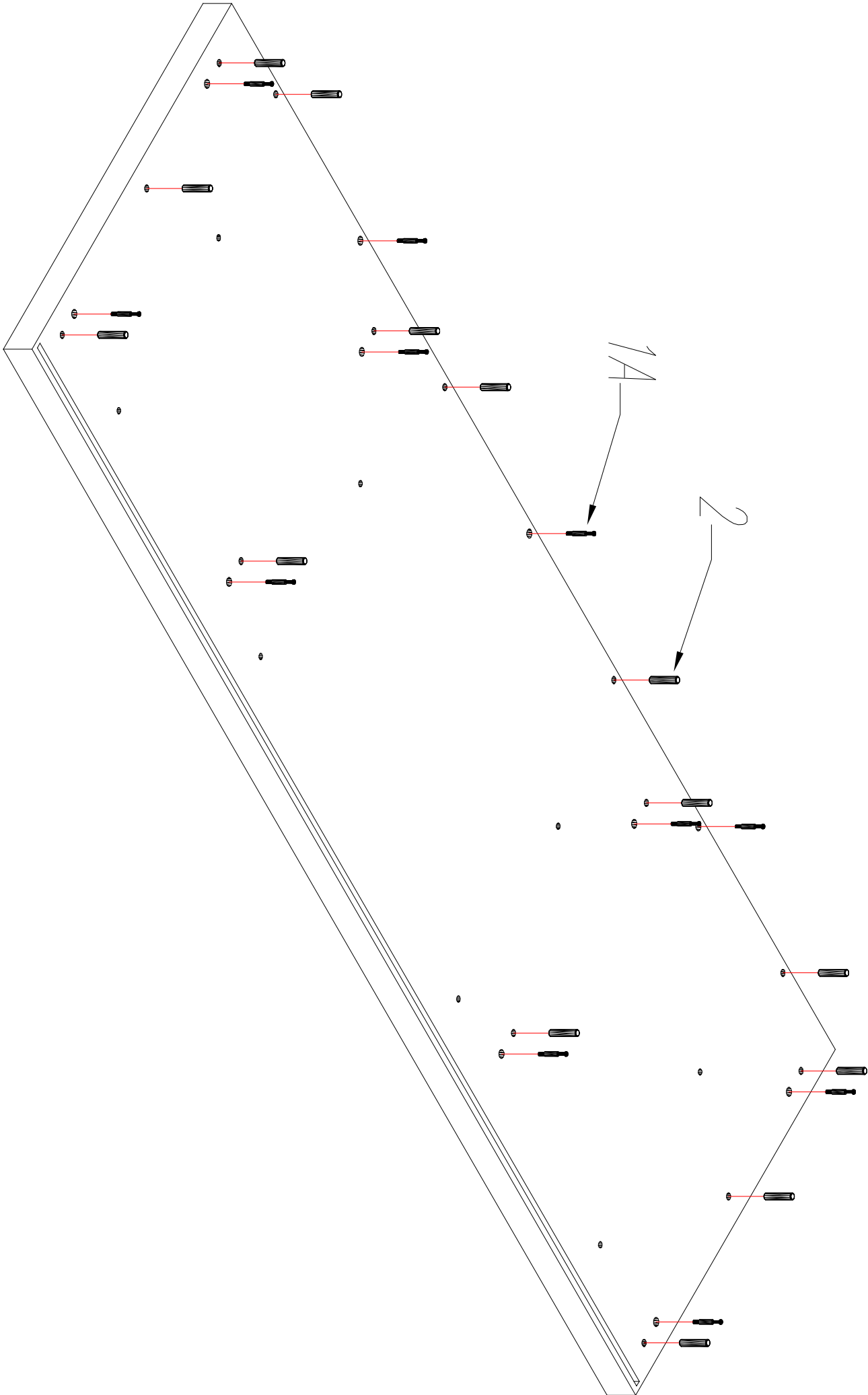
- | | |
|----|--|
| 1 | |
| 2 | |
| 3 | |
| 4 | |
| 5 | |
| 6 | |
| 7 | |
| 8 | |
| 9 | |
| 10 | |
| 11 | |

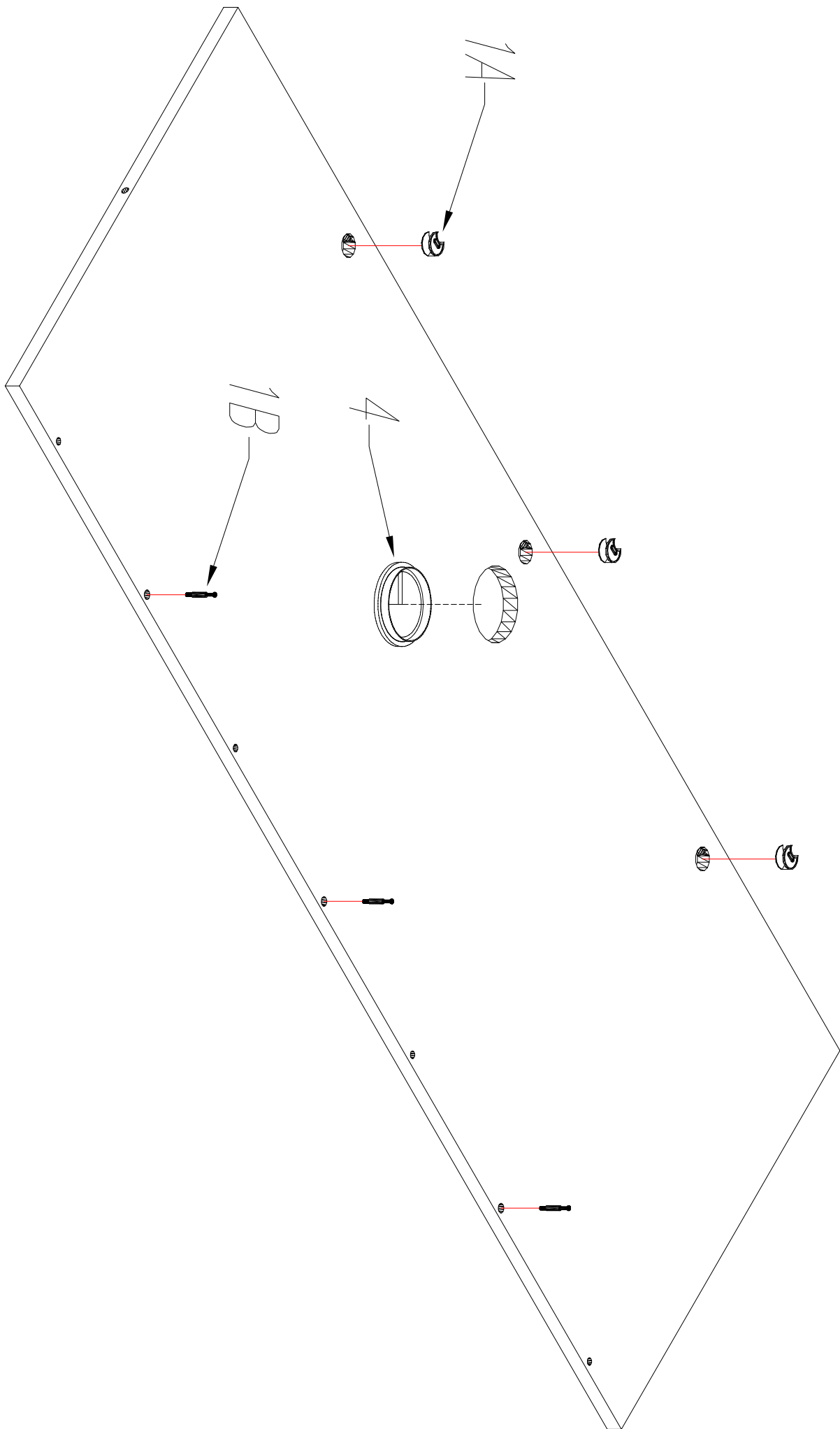
(A)

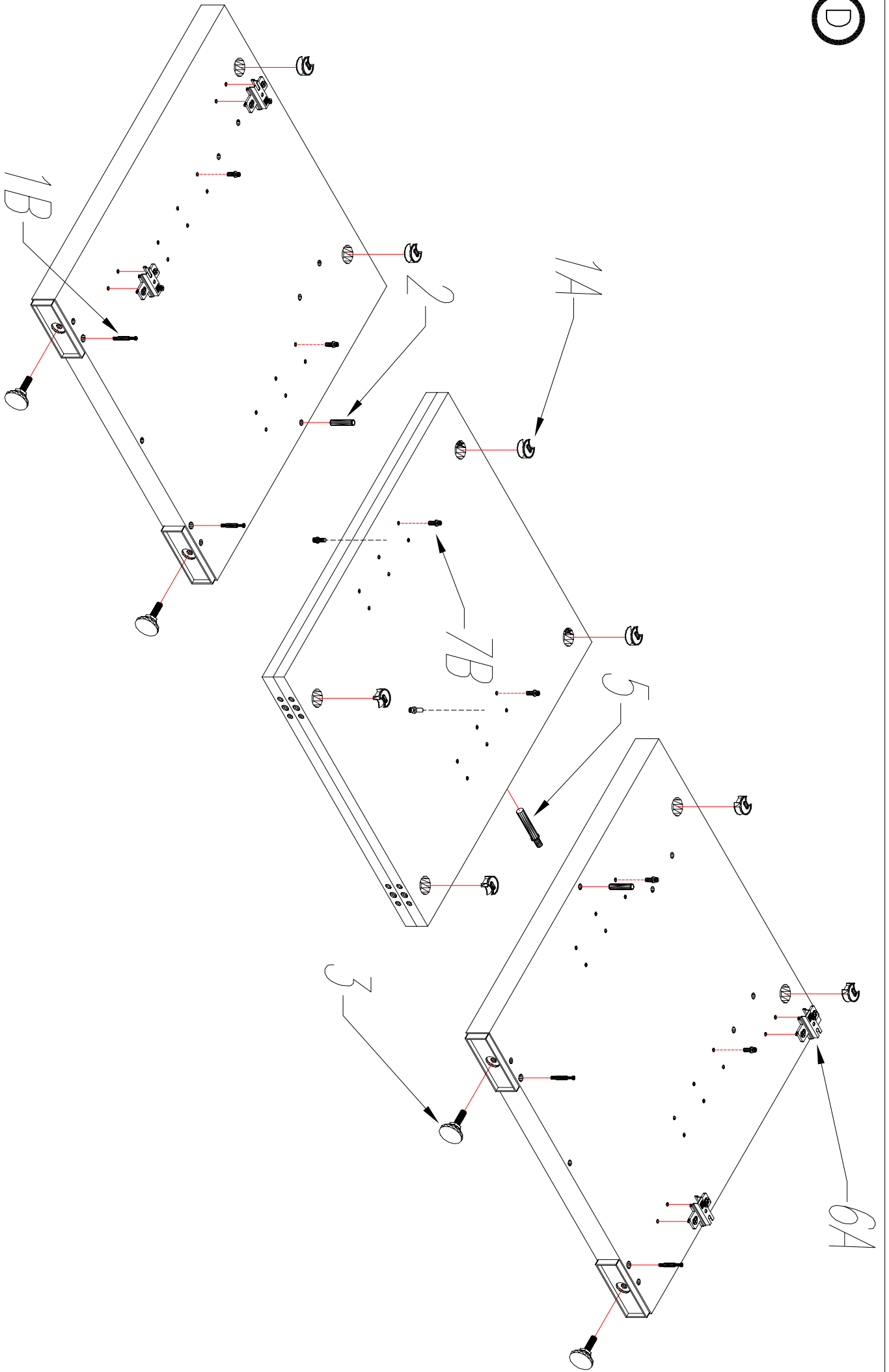


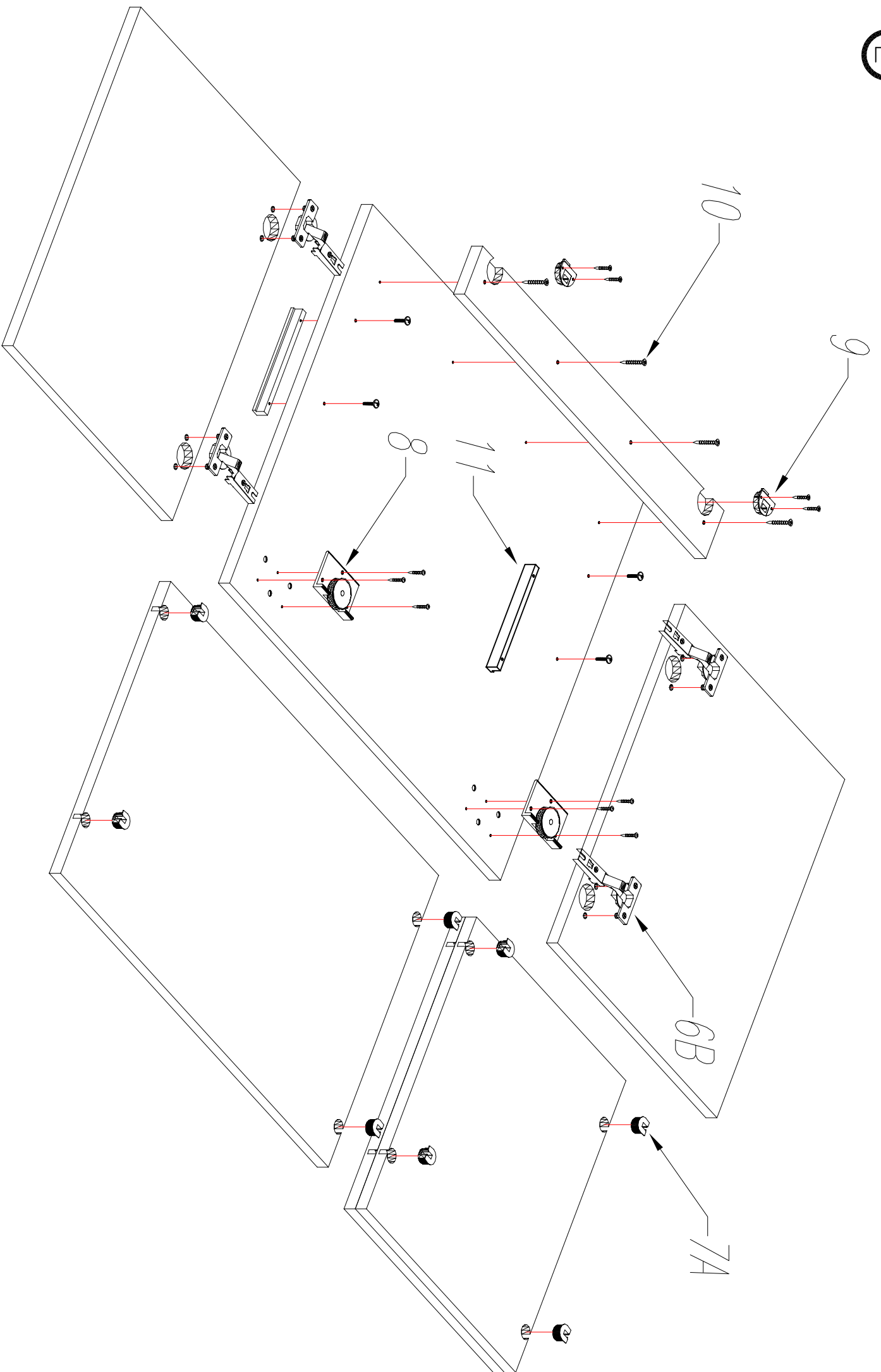
KOLENOSĆ MONTAZU
MIMOSRODOW.
THE FITTING SEQUENCE OF THE
CAMS.
DIE MONTAGEABFOLGE VON
EXZENTERN.



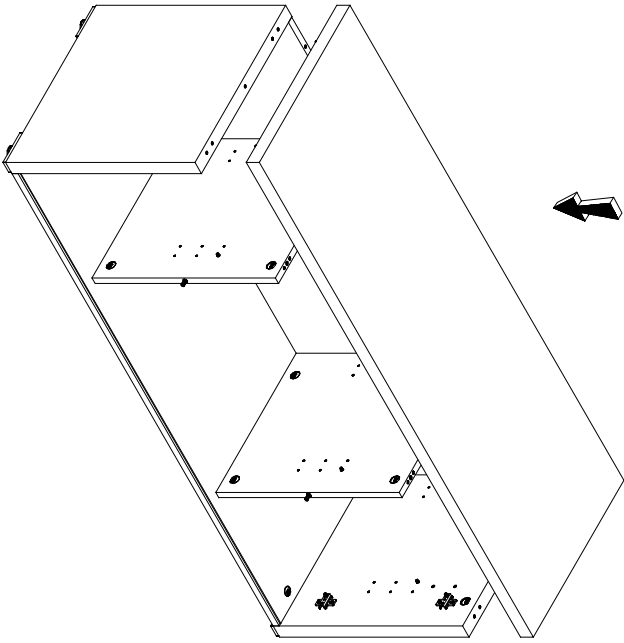




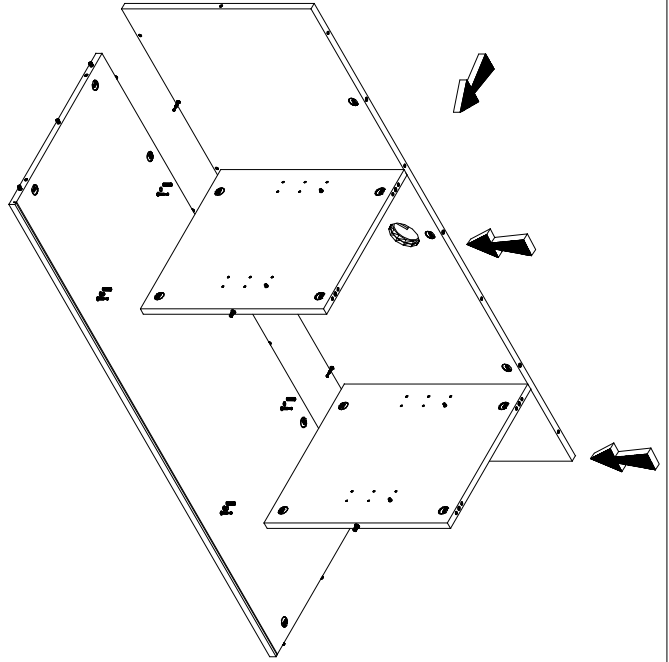




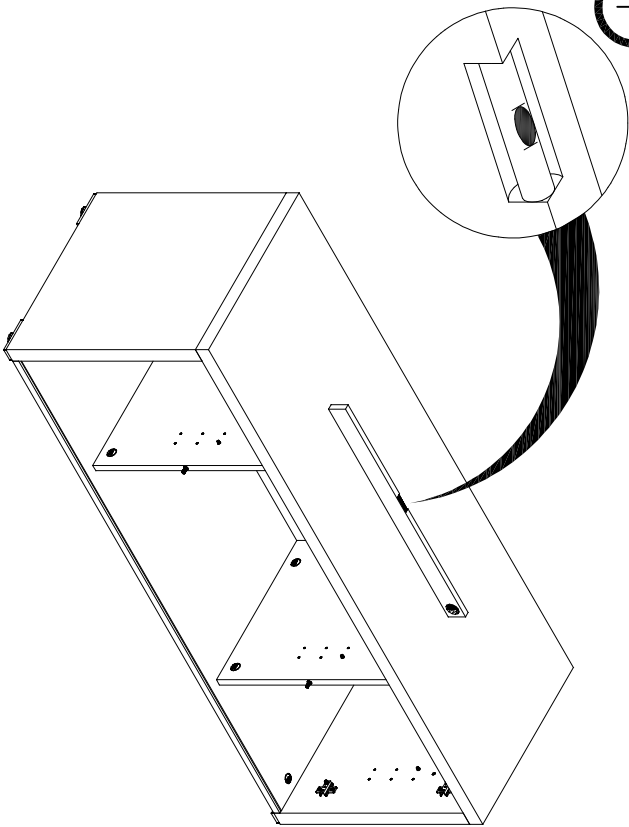
(H)



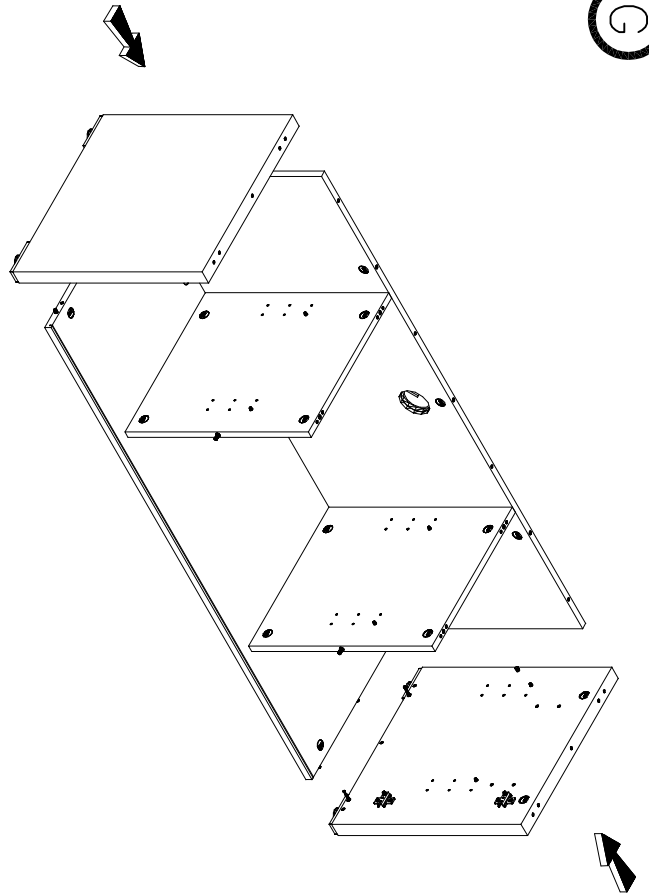
(I)



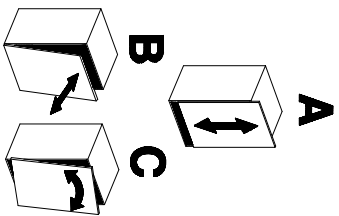
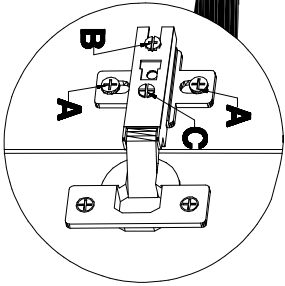
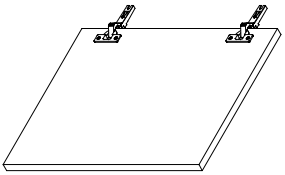
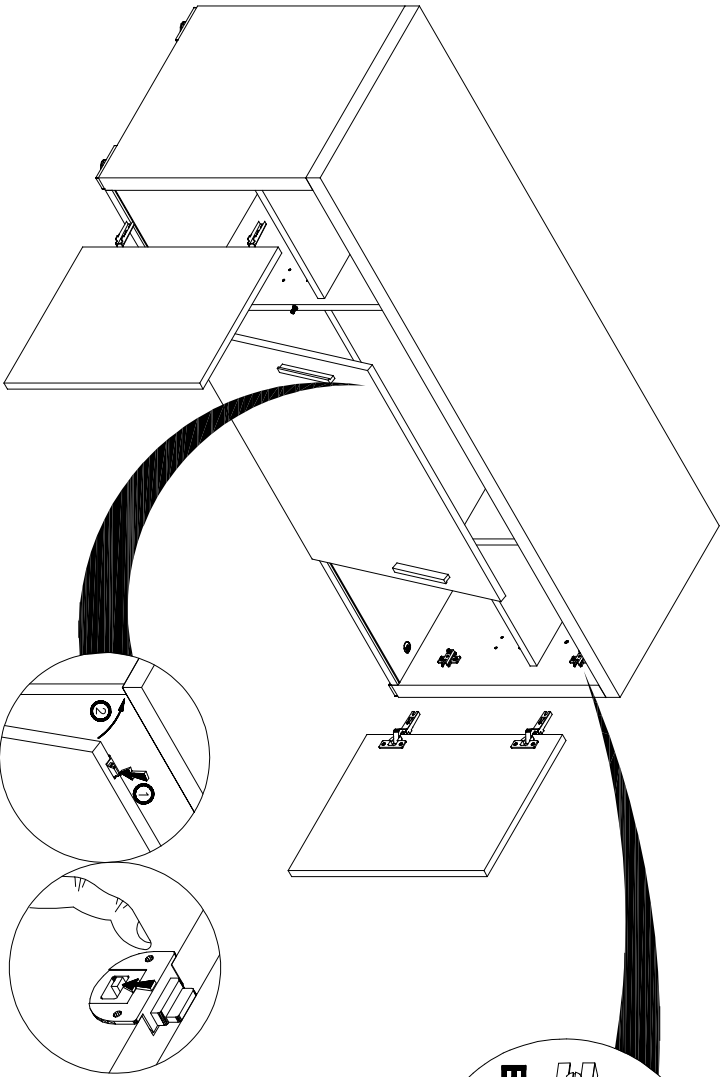
(J)



(K)



K



J

