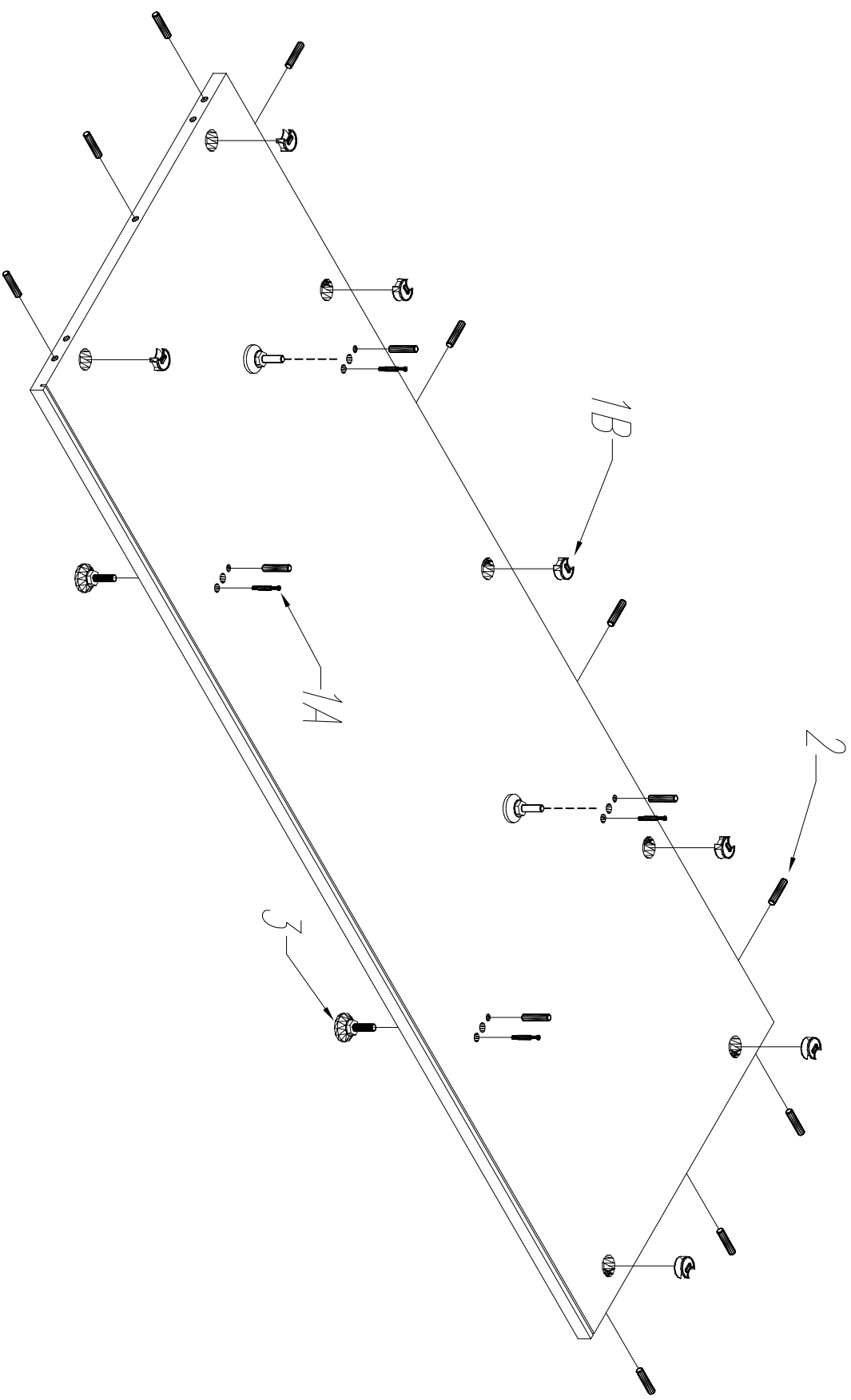


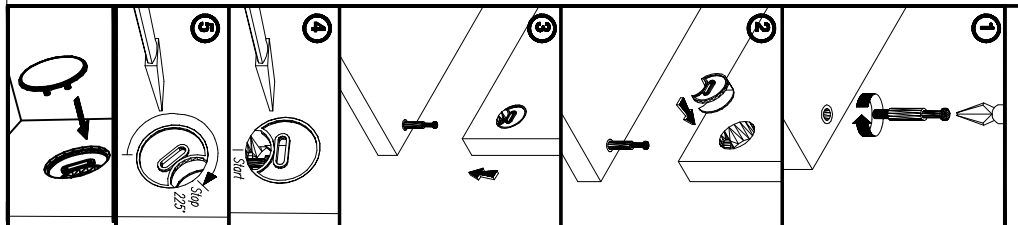


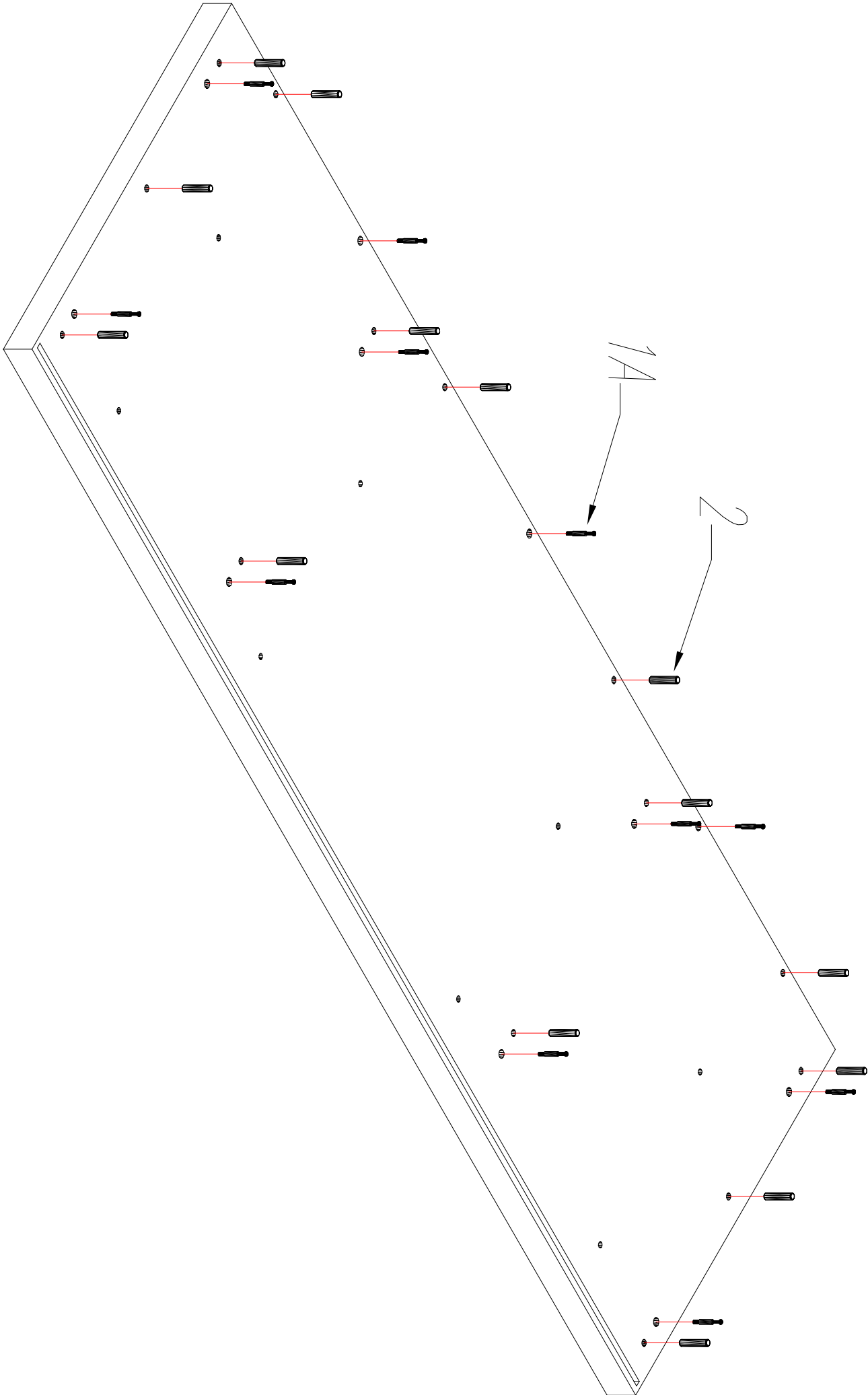
- |    |  |
|----|--|
| 1  |  |
| 2  |  |
| 3  |  |
| 4  |  |
| 5  |  |
| 6  |  |
| 7  |  |
| 8  |  |
| 9  |  |
| 10 |  |
| 11 |  |

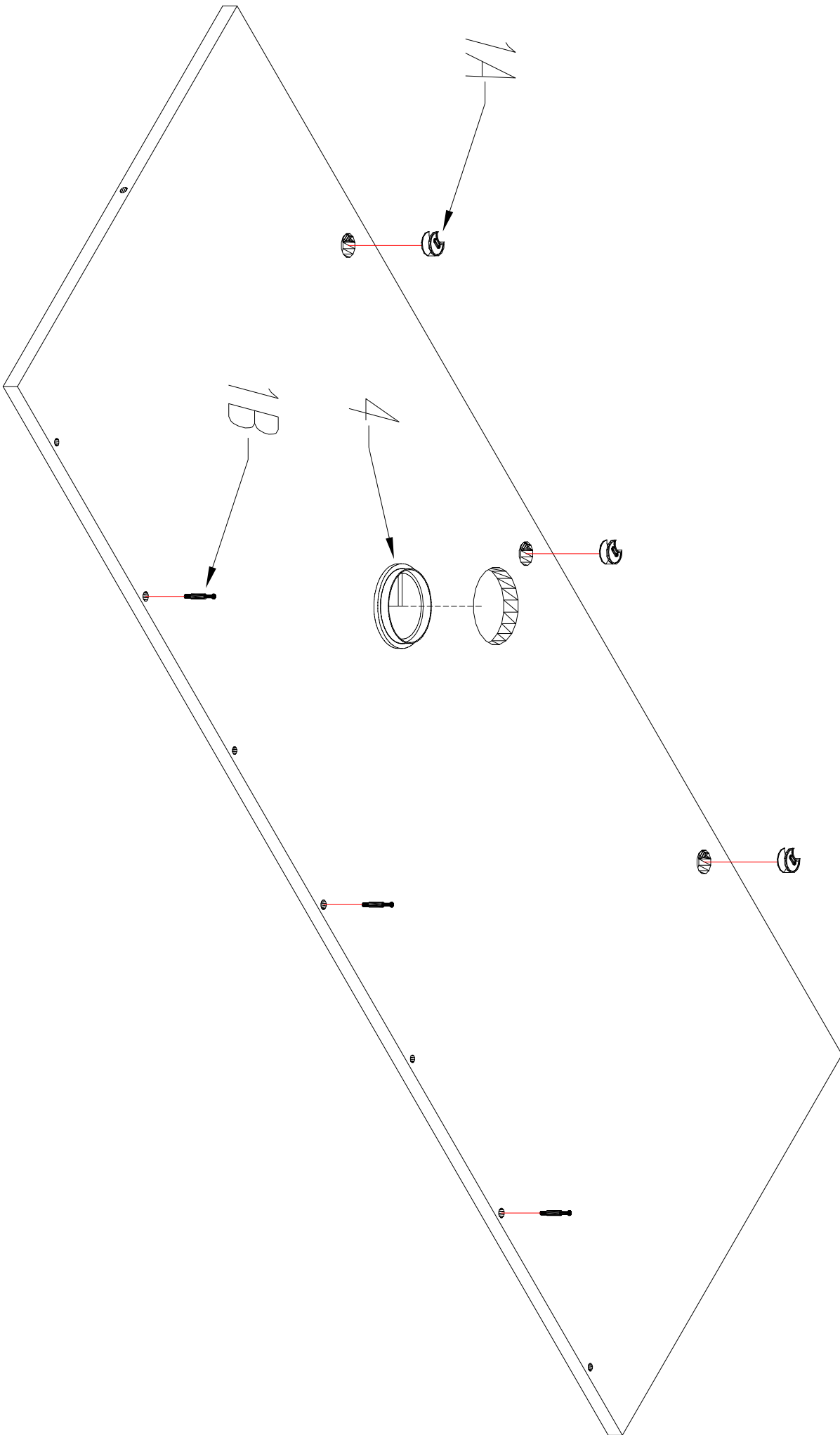
(A)

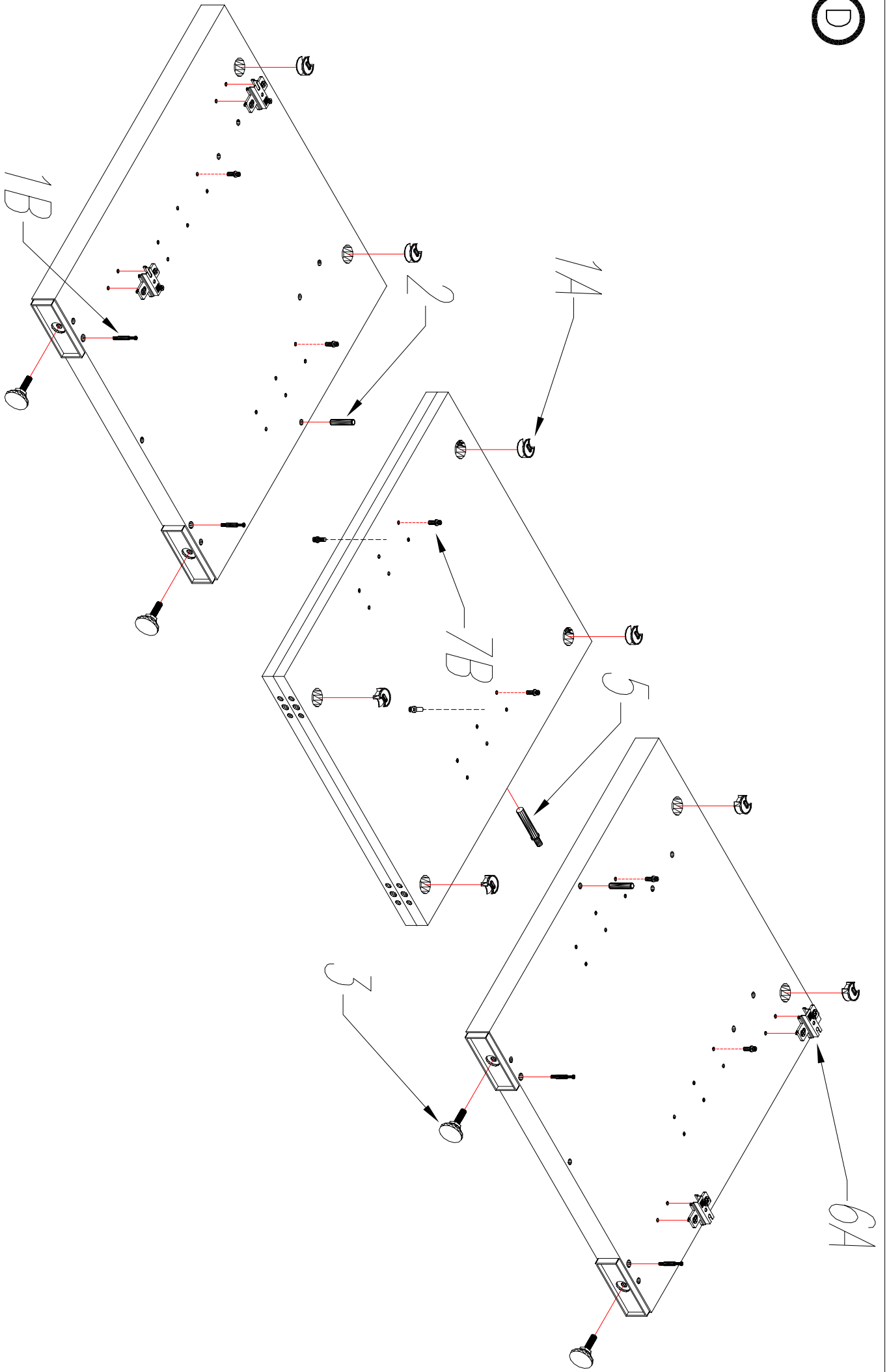


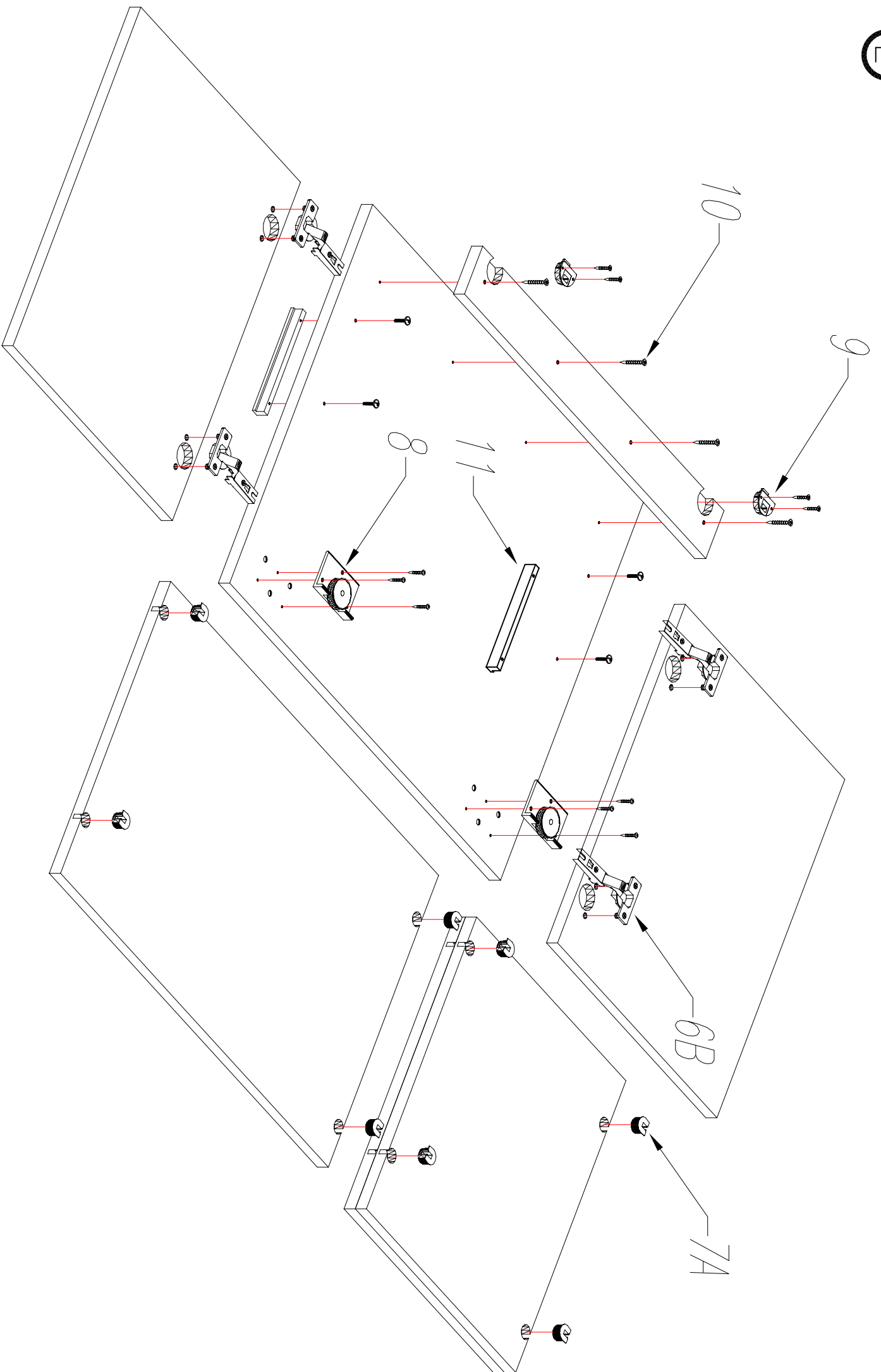
KOLENOSĆ MONTAZU  
MIMOSRODOW.  
THE FITTING SEQUENCE OF THE  
CAMS.  
DIE MONTAGEABFOLGE VON  
EXZENTERN.



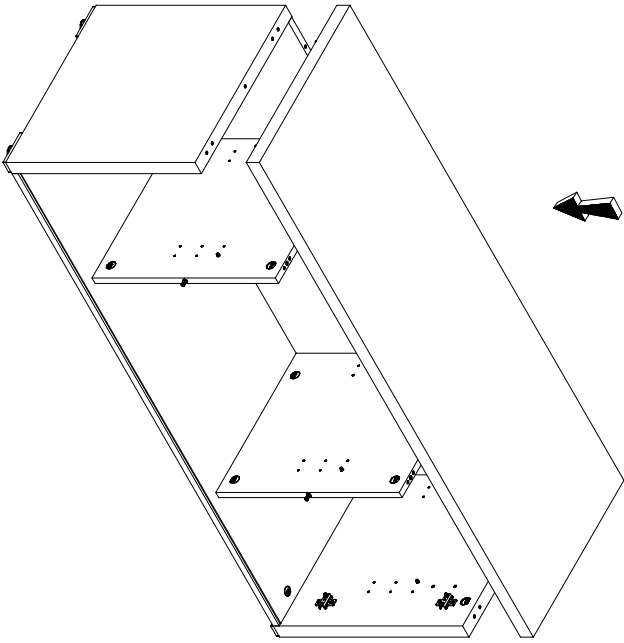




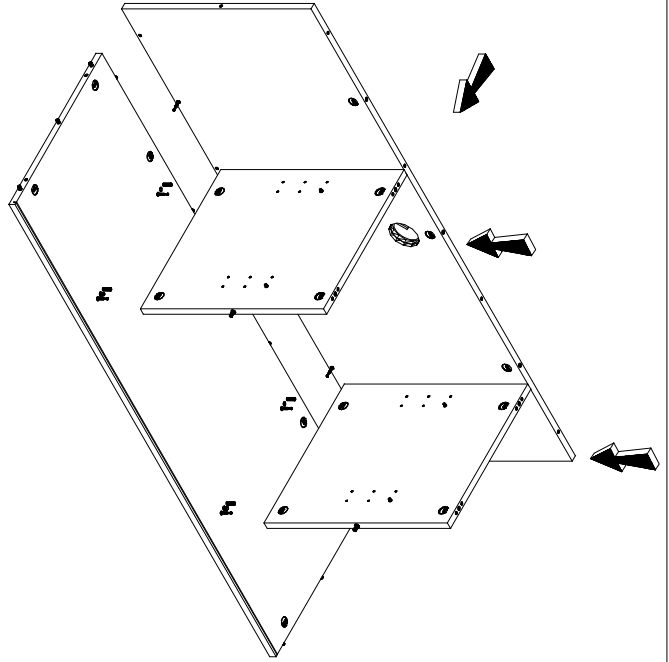




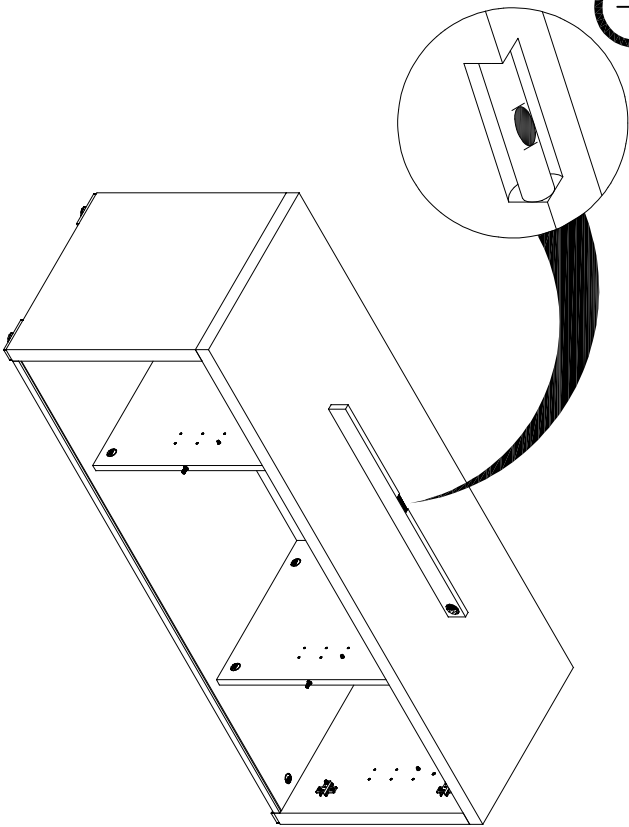
(H)



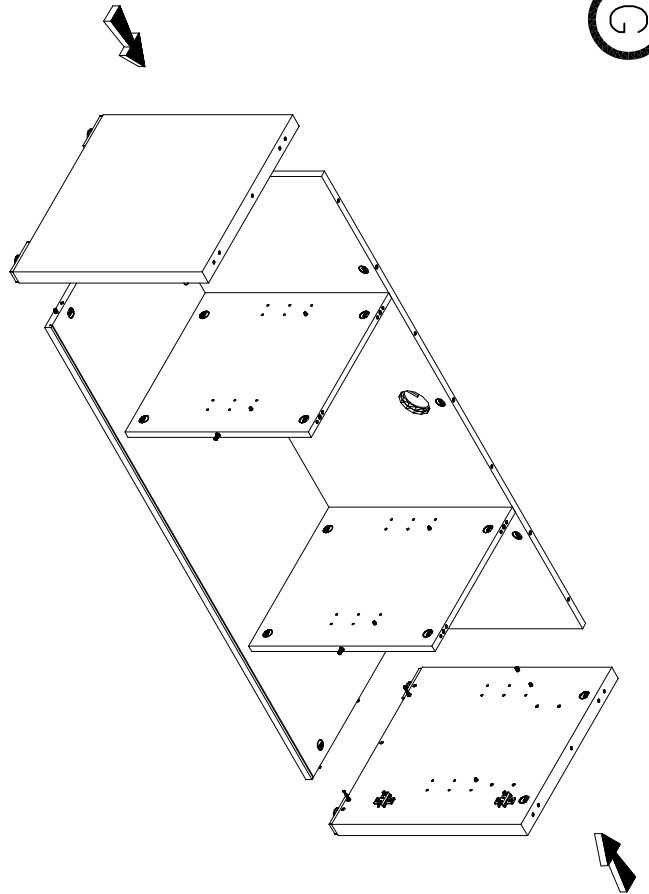
(I)



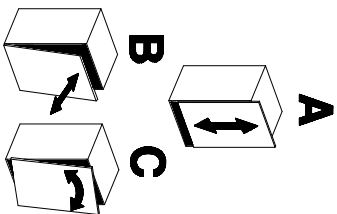
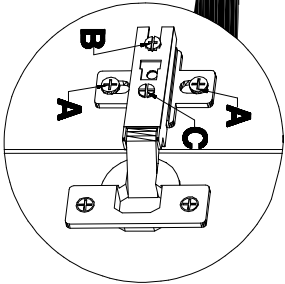
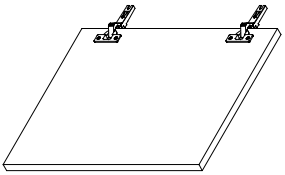
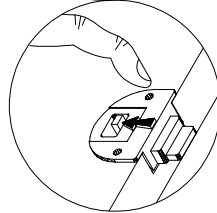
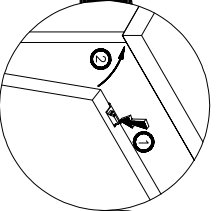
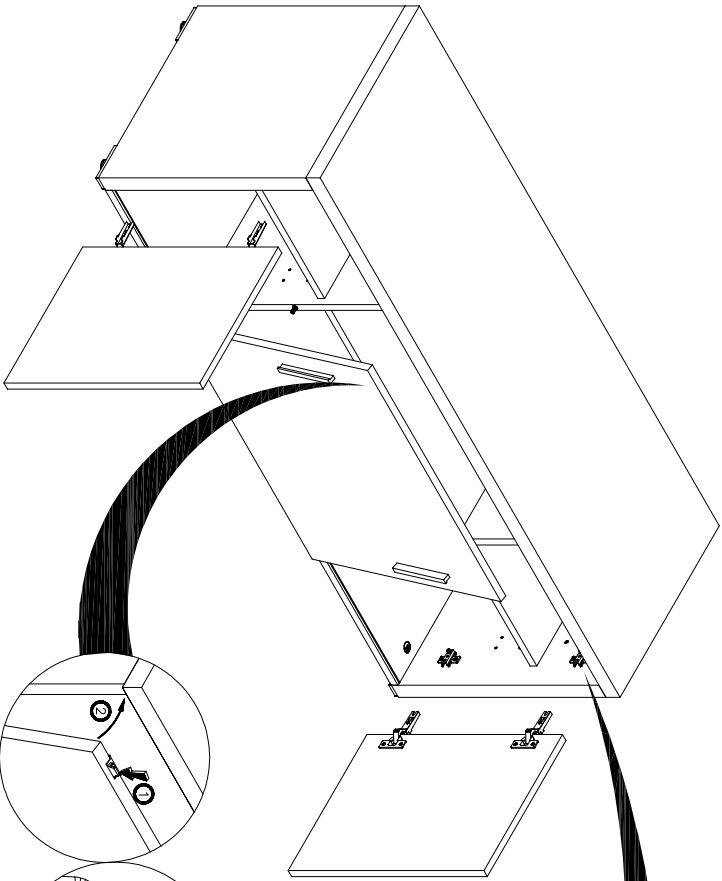
(J)



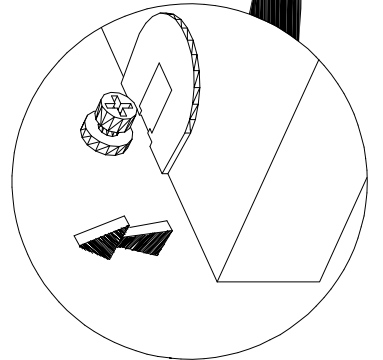
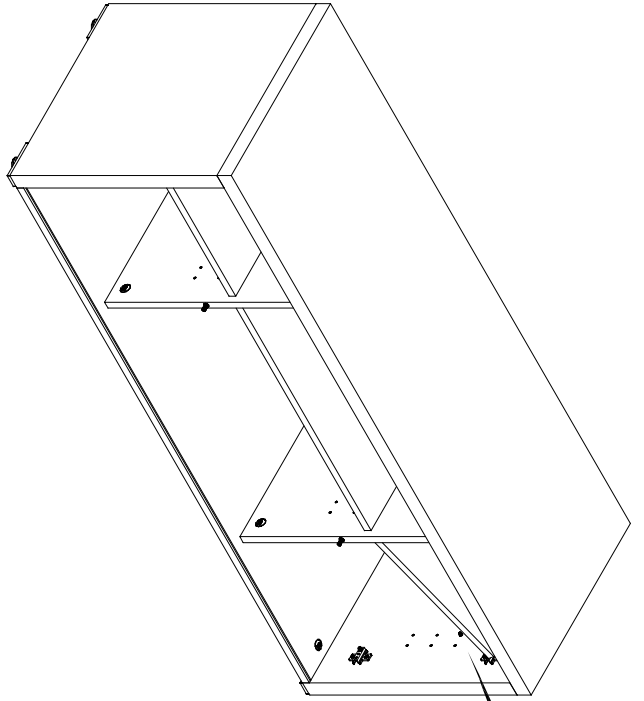
(K)

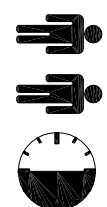


K



J

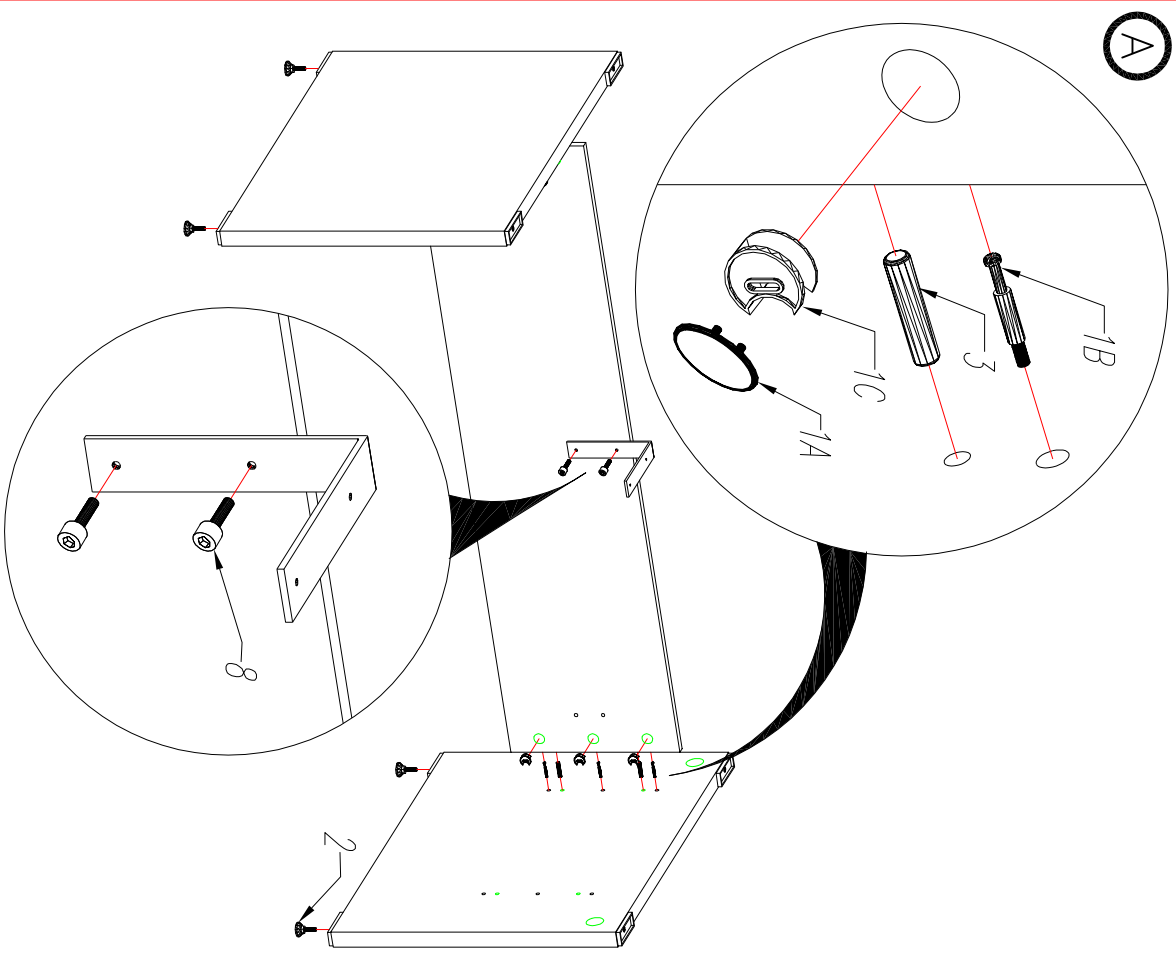




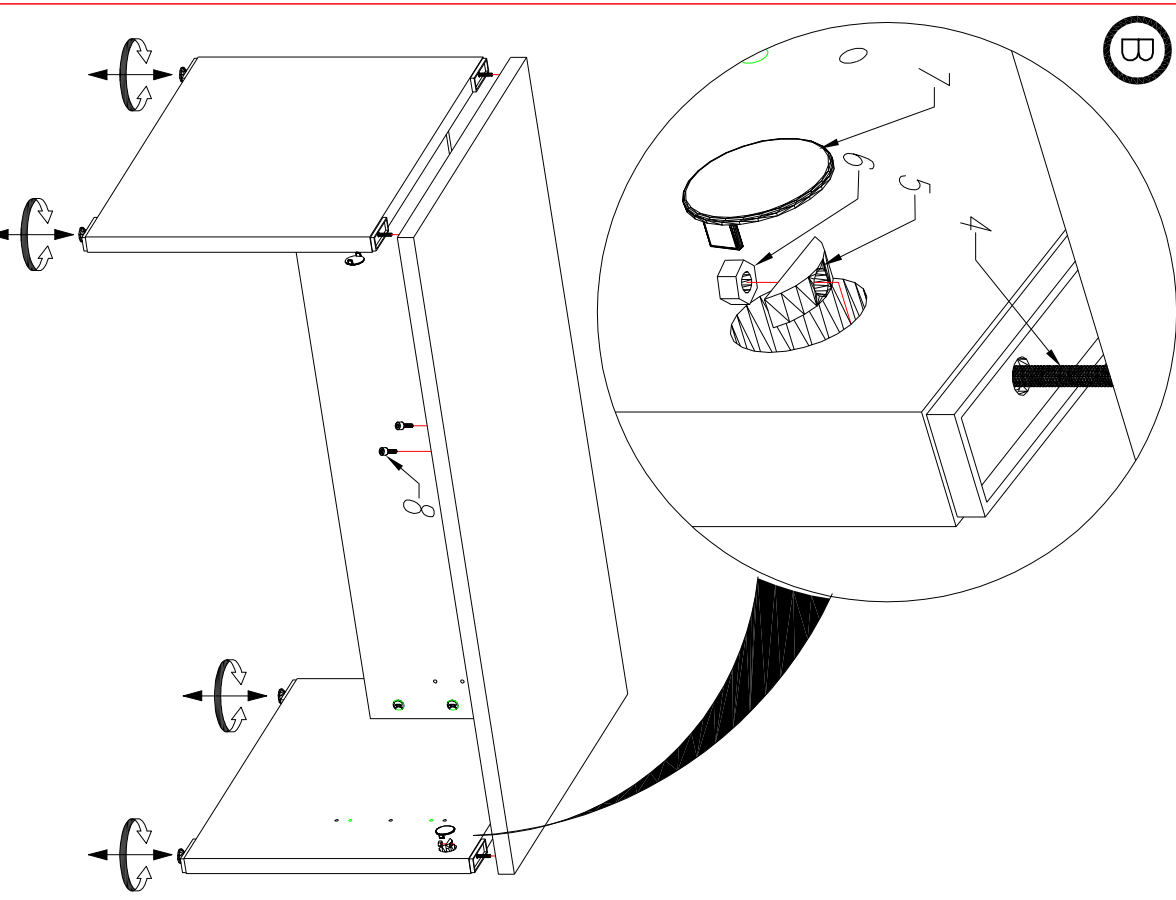
# Q16\_Q19

1		x6
2		x4
3		x4
4		x4
5		x4
6		x4
7		x4
8		x4

(A)



(B)



KOLEJNOŚĆ MONTAŻU  
MIMOSRODOW.  
THE FITTINGS SEQUENCE OF THE  
CAMs.  
DIE MONTAGEFOLGE VON  
EXZENTERN.

