

1

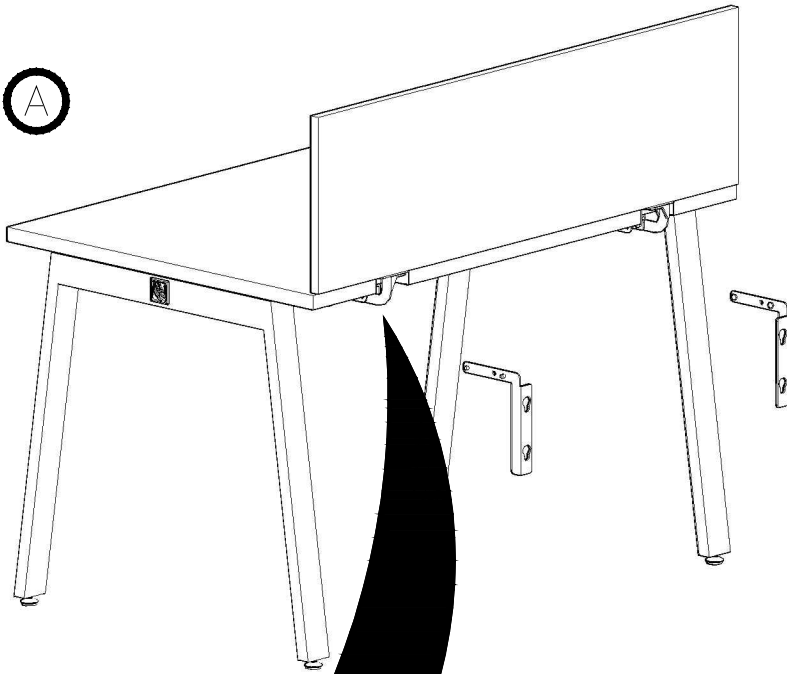


M8x16

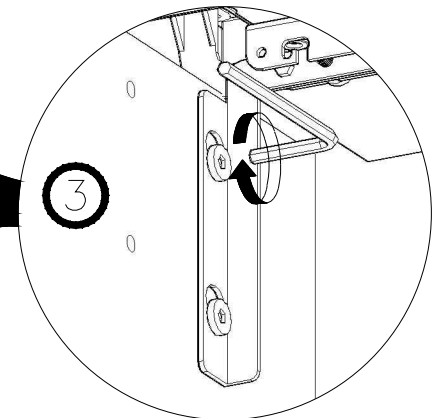
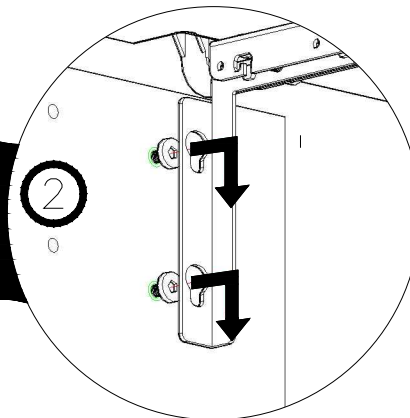
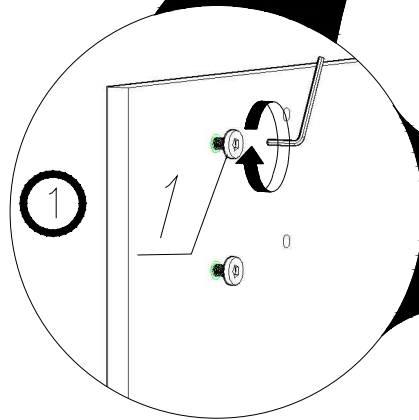
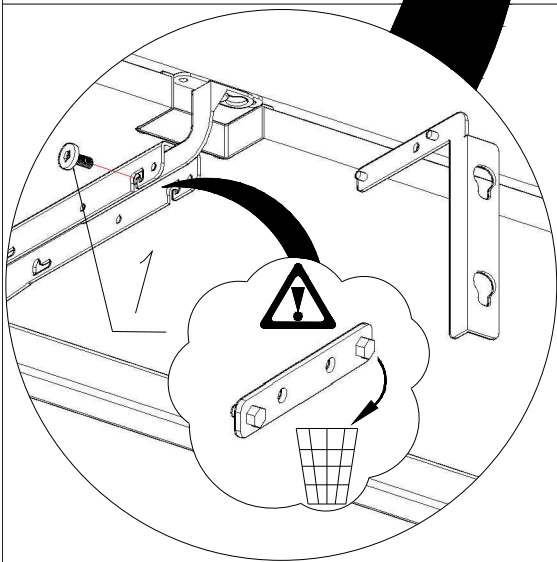
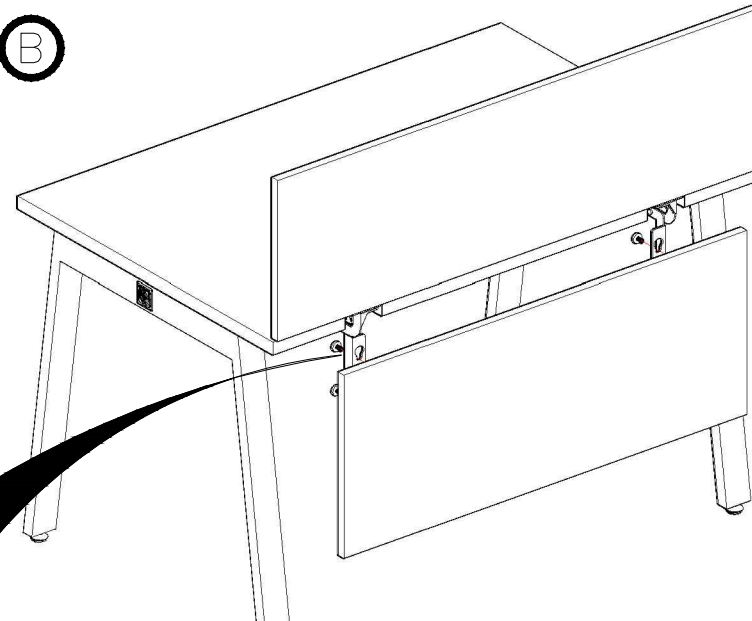


UM_YAN_DESK


A

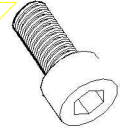


B



UM_OGI_DESK

1  $\varnothing 5 \times 20$

2  M6x14

