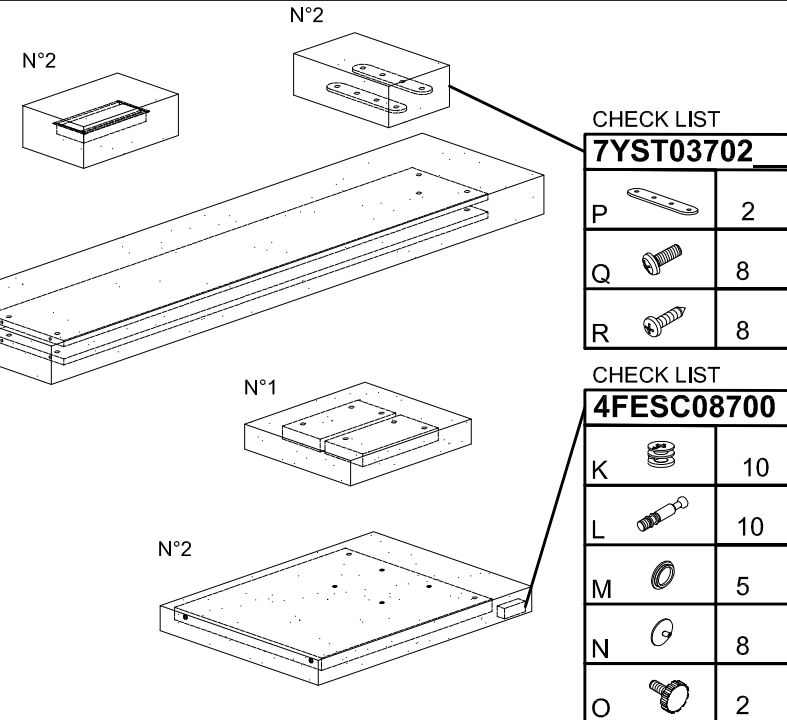
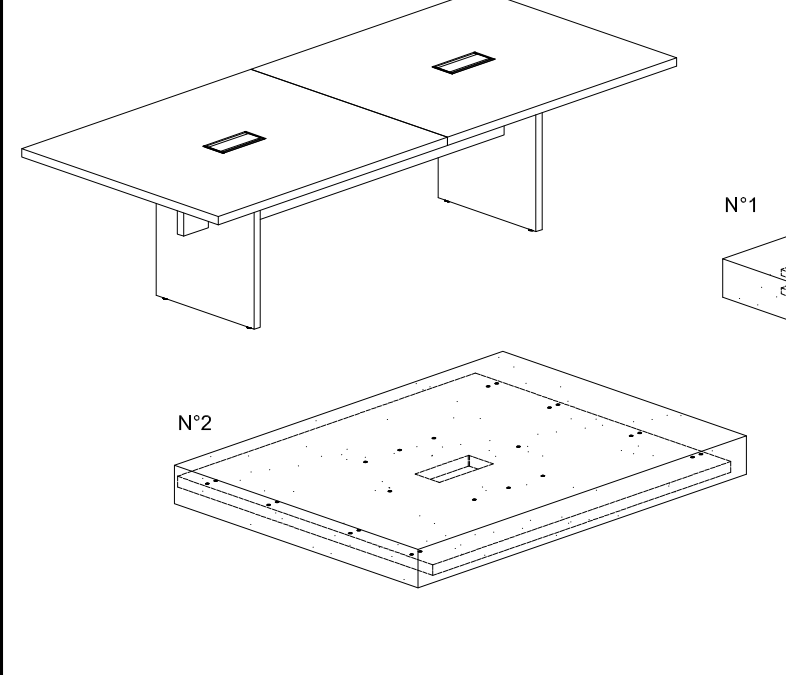


TCEI M8X40	TPEI M6X15	Øe20-Øi10	Ø30x3,5	Ø4	Ø6	Ø5	TPEI M6X40	TPEI M6X20	TSPEI M8X30	Ø15	Ø7 - M6	Ø15	Ø15	Ø25X24-M8	150X30X3
A	B	C	D	E	F	G	H	I	J	K	L	M	N	O	P
TBL M6X15	TC 5X20	Ø30	TC 4X16												
Q	R	S	T												

MEETING TABLE

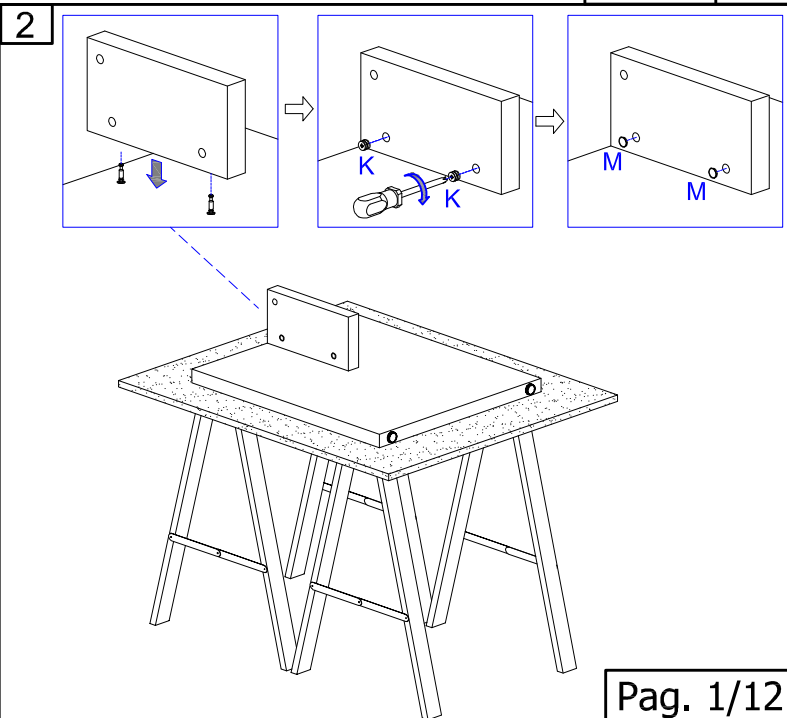
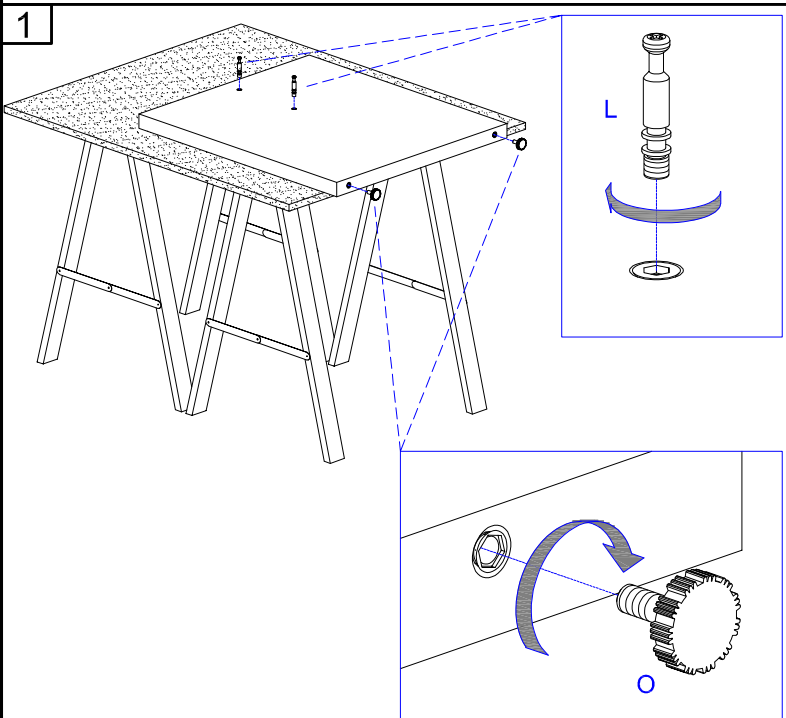


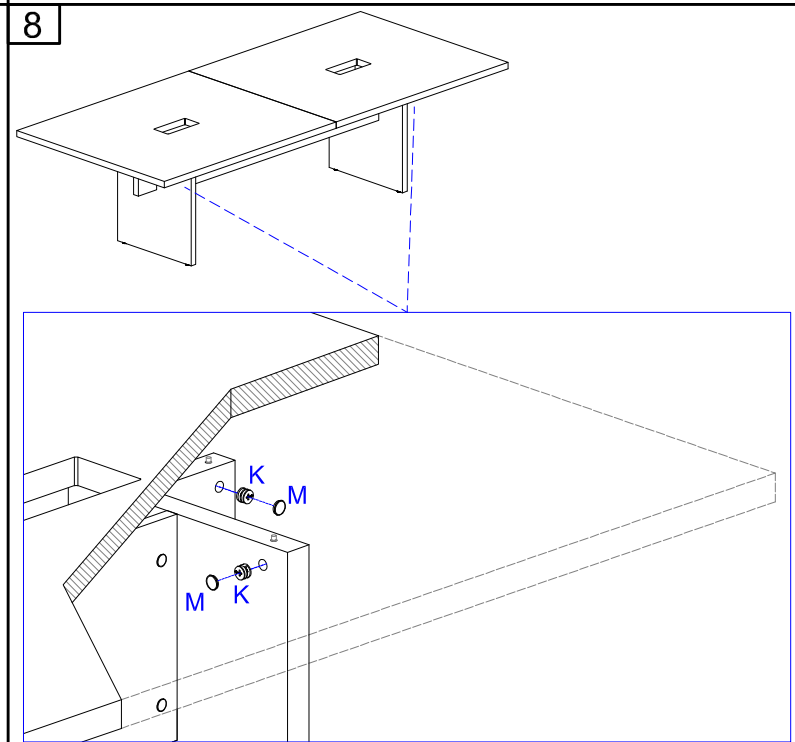
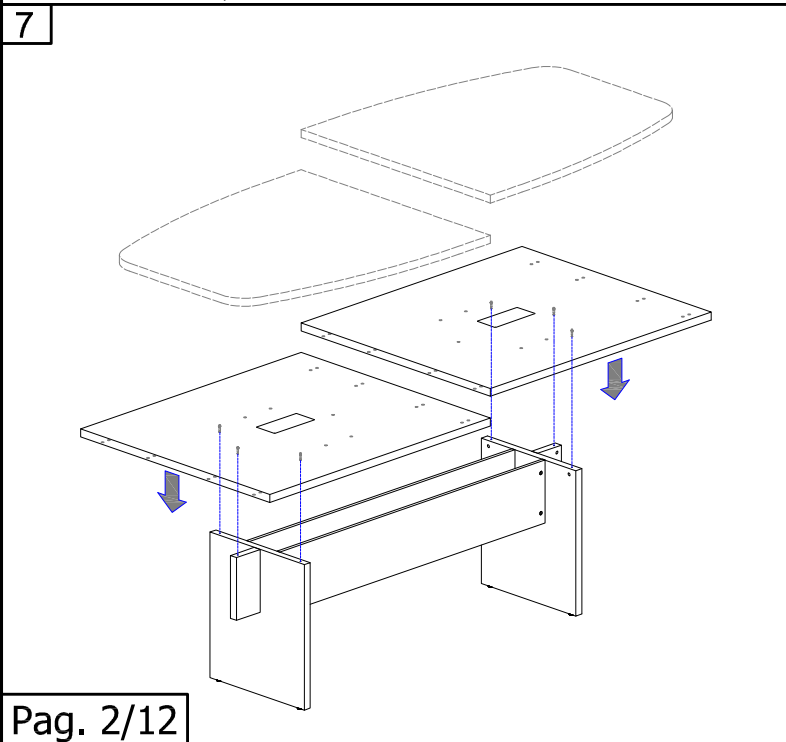
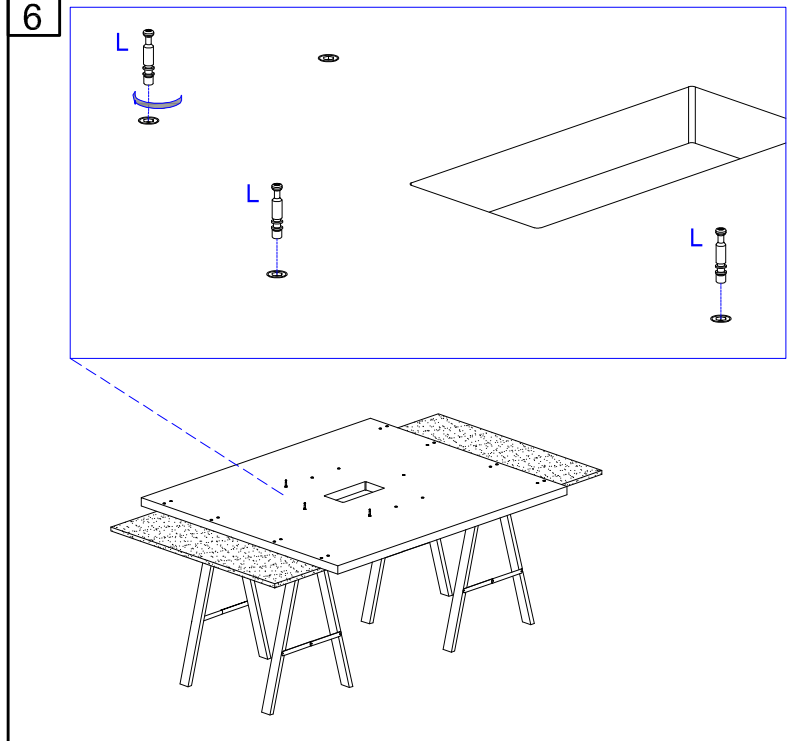
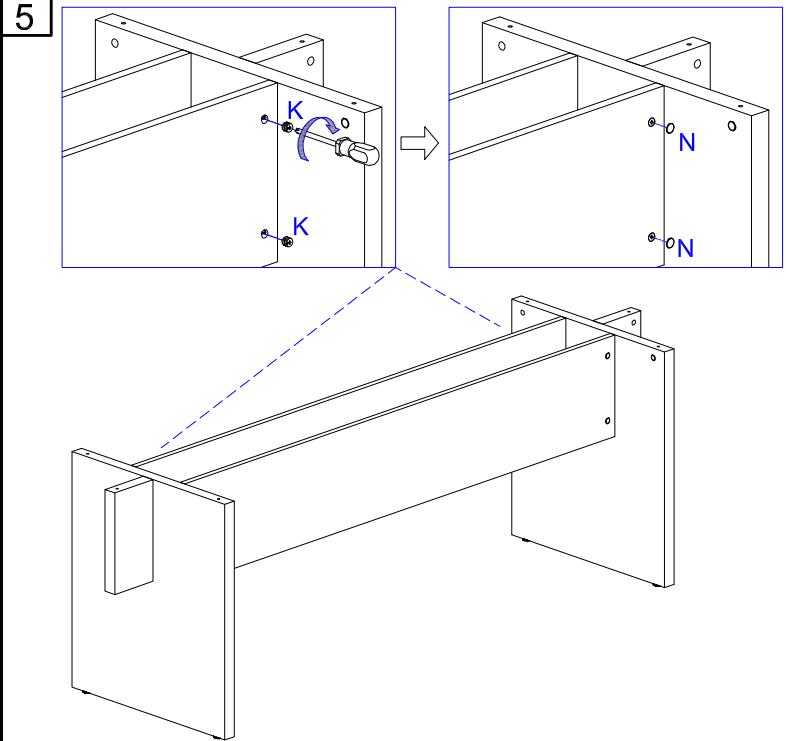
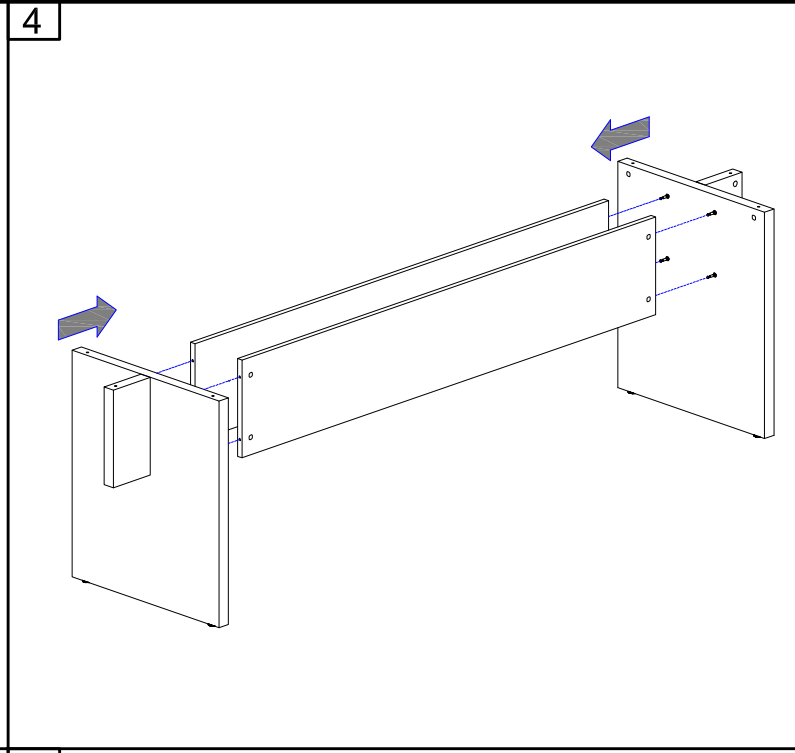
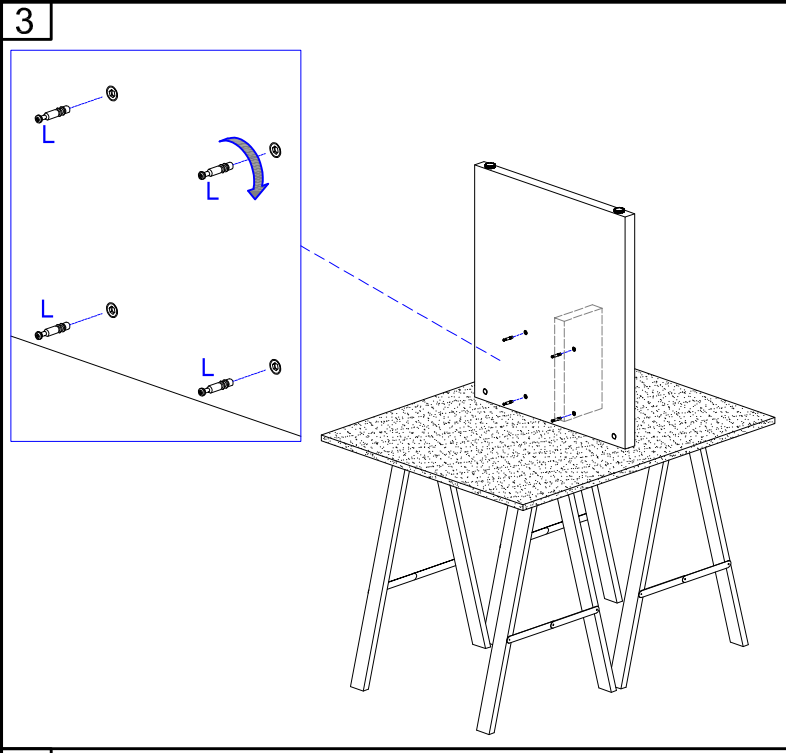
CHECK LIST 7YST03702

P		2
Q		8
R		8

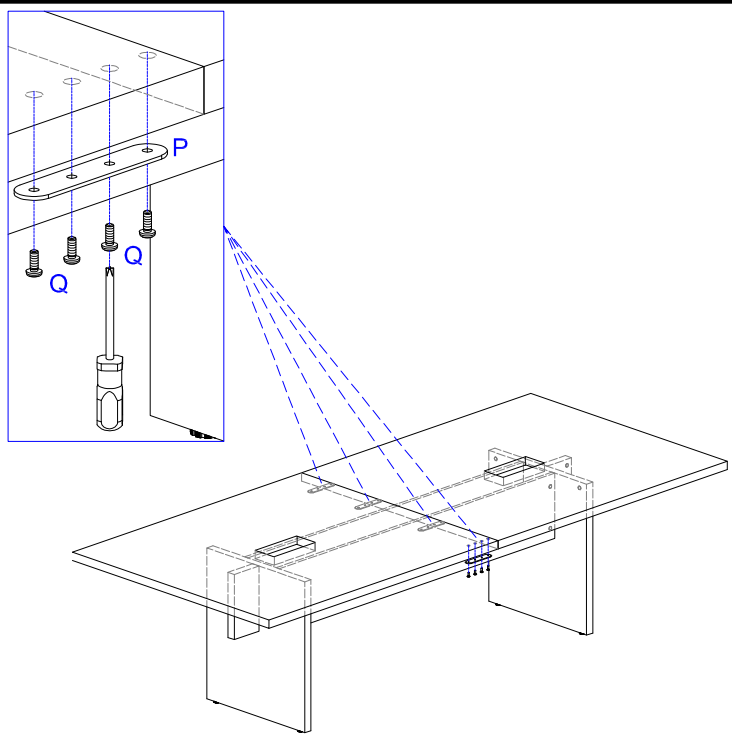
CHECK LIST 4FESC08700

K		10
L		10
M		5
N		8
O		2

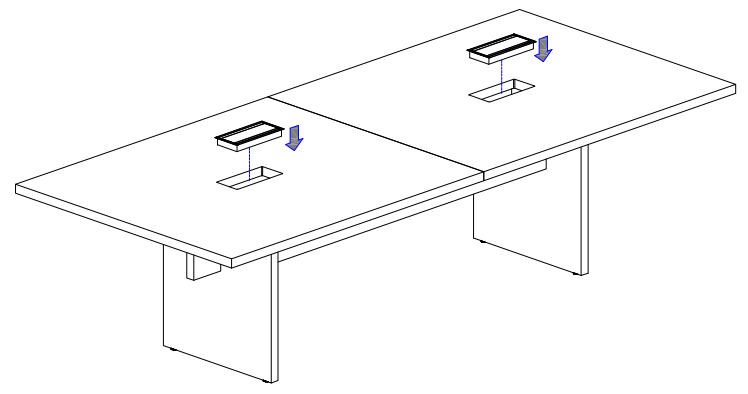




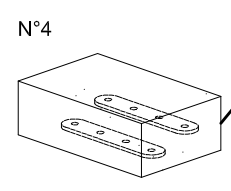
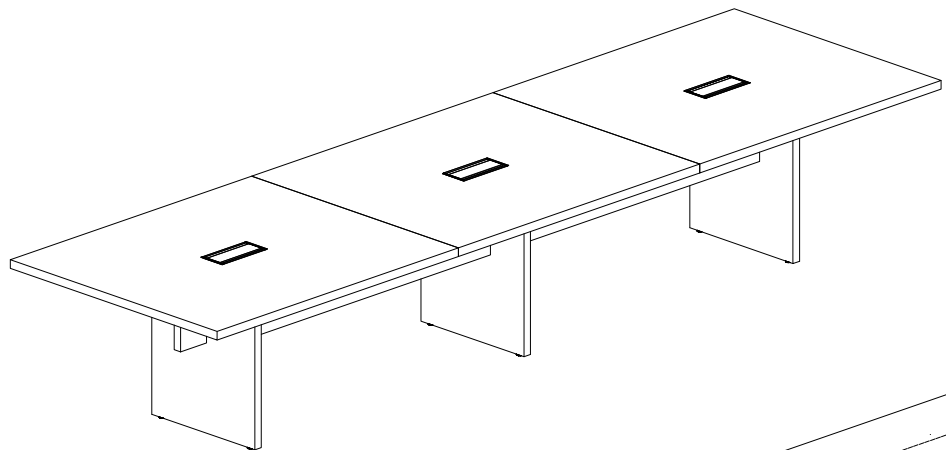
9



10

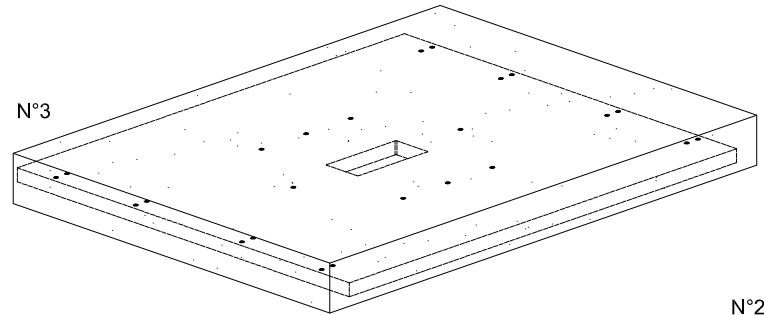
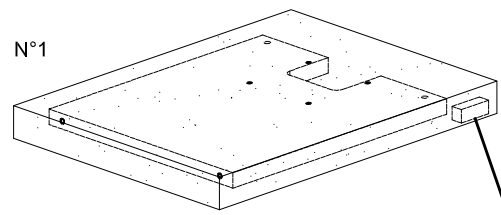
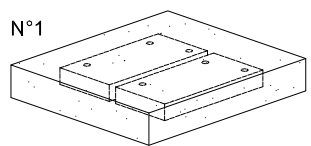


MEETING TABLE WITH INTERMEDIATE LEG



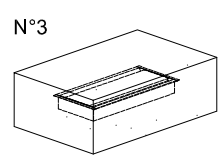
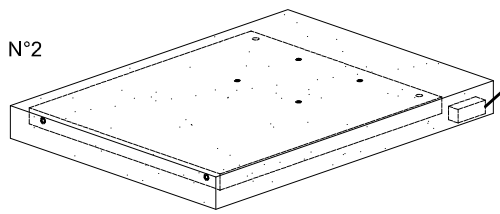
CHECK LIST
7YST03702

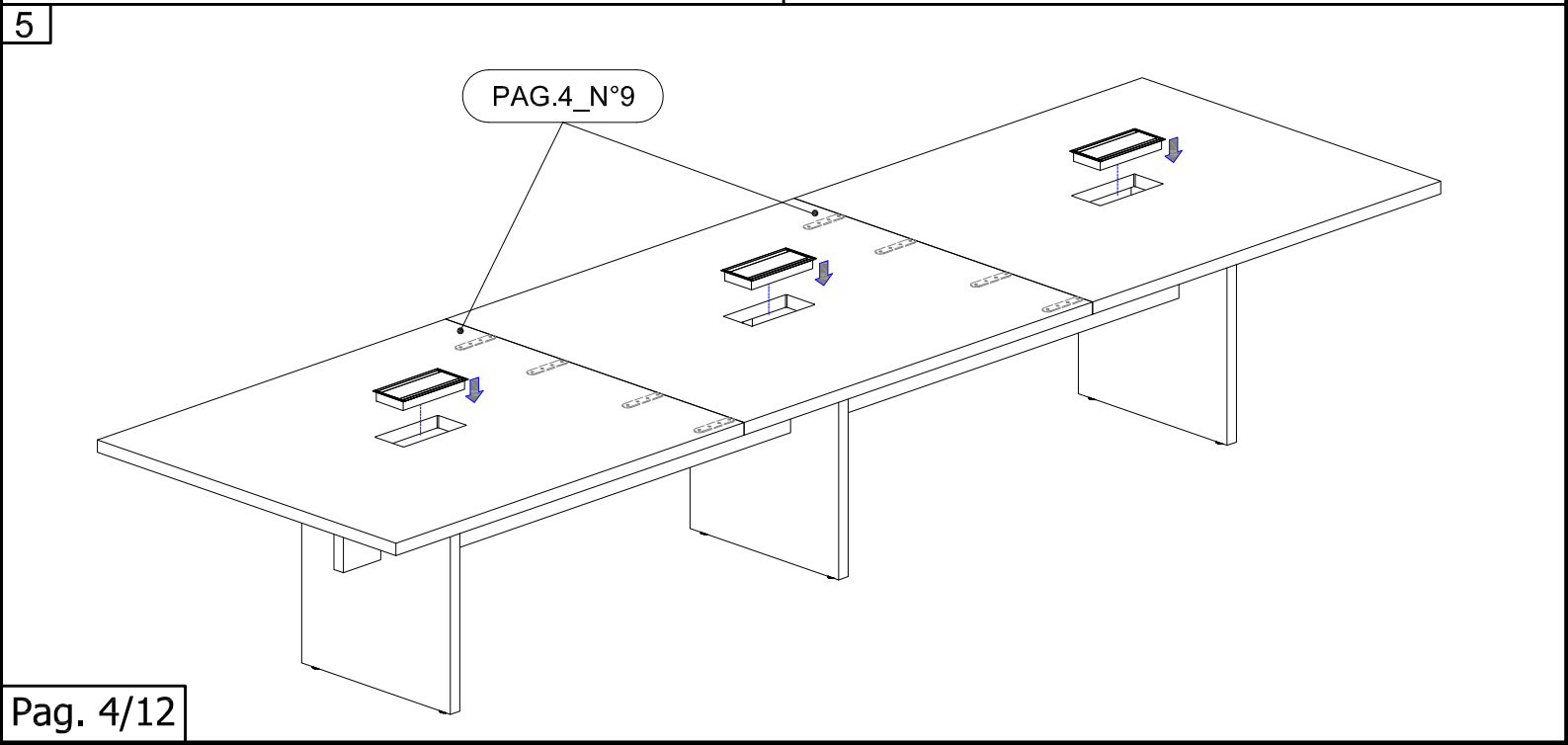
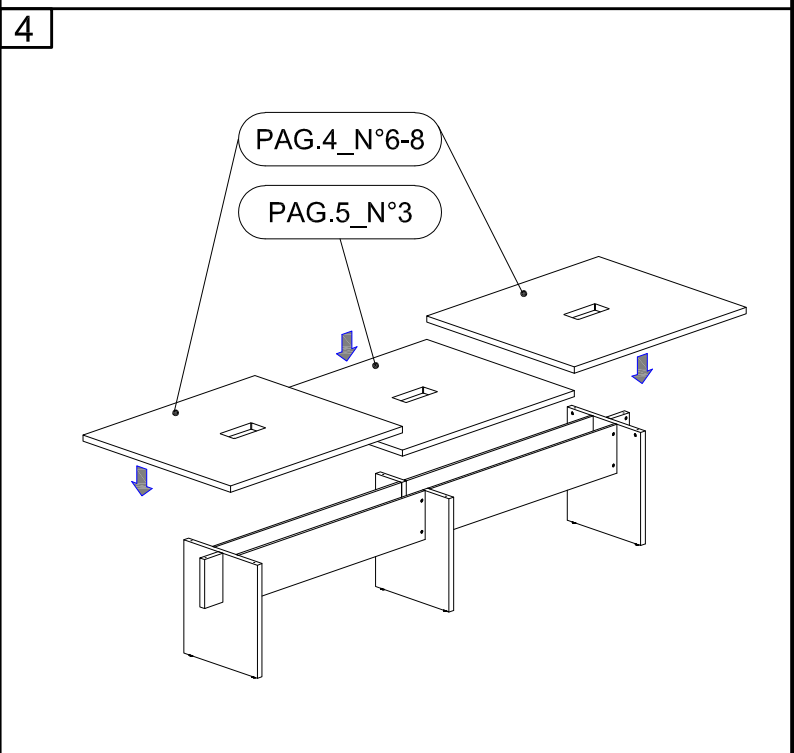
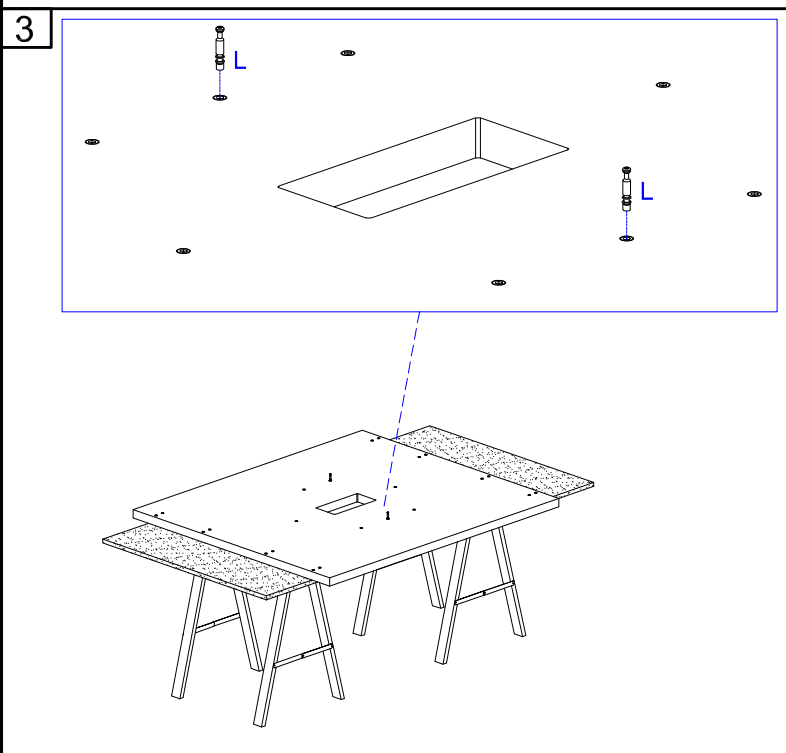
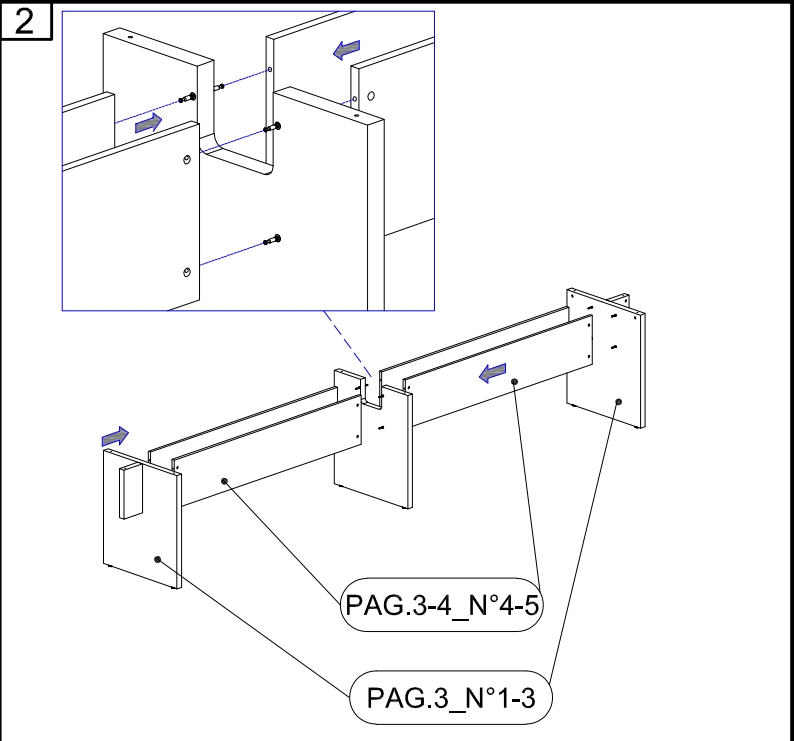
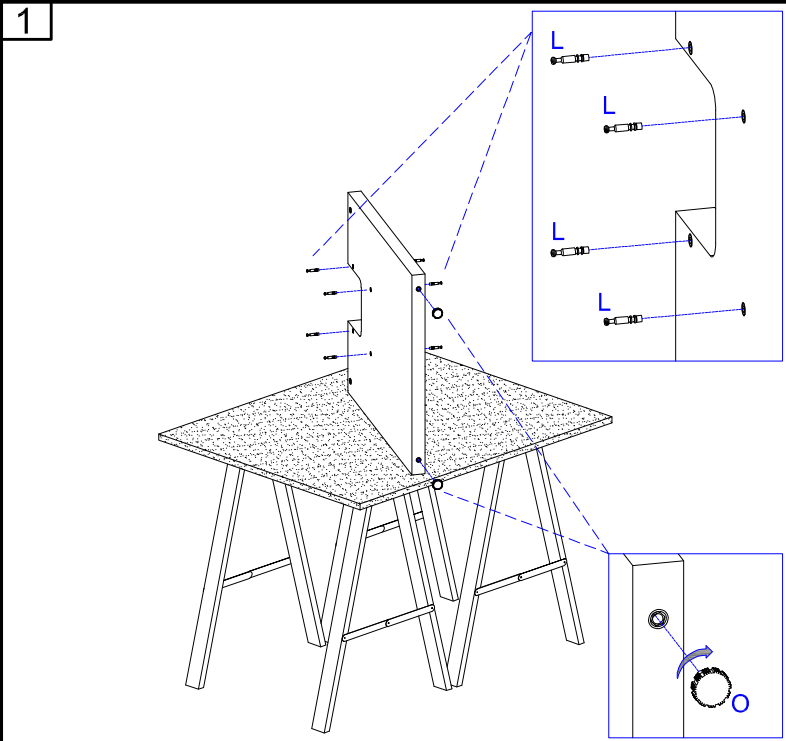
P		2
Q		8
R		8



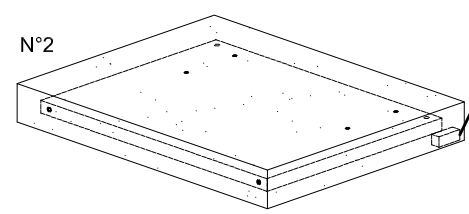
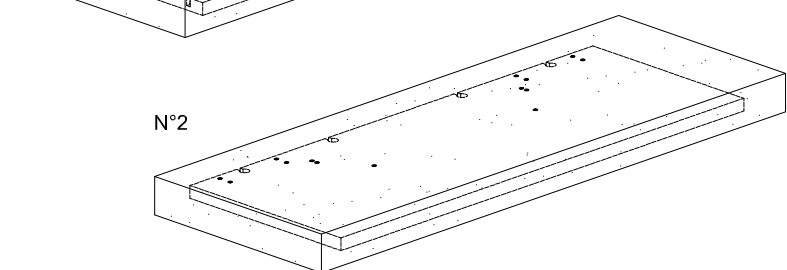
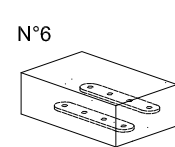
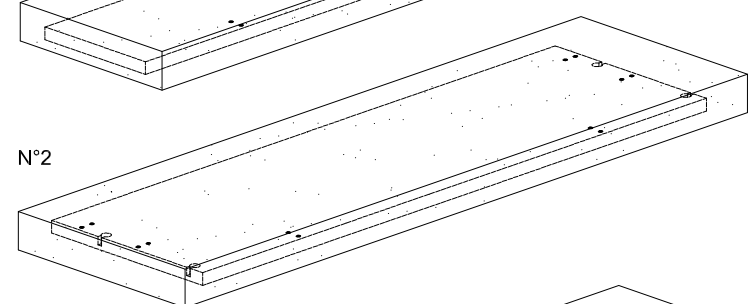
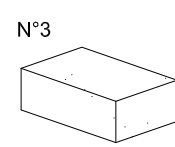
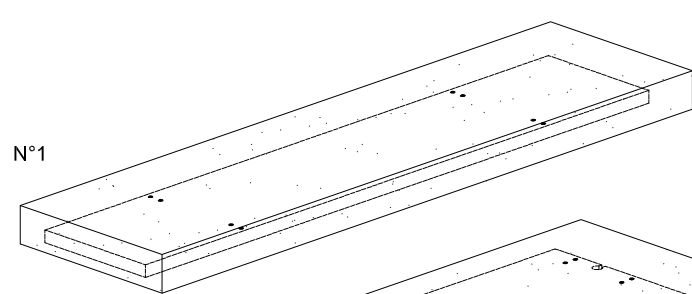
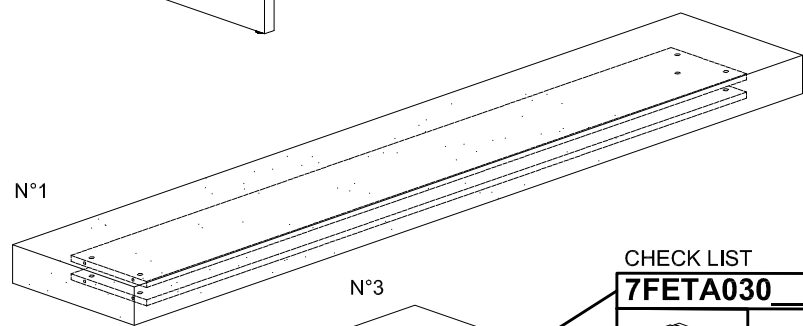
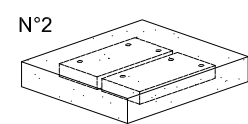
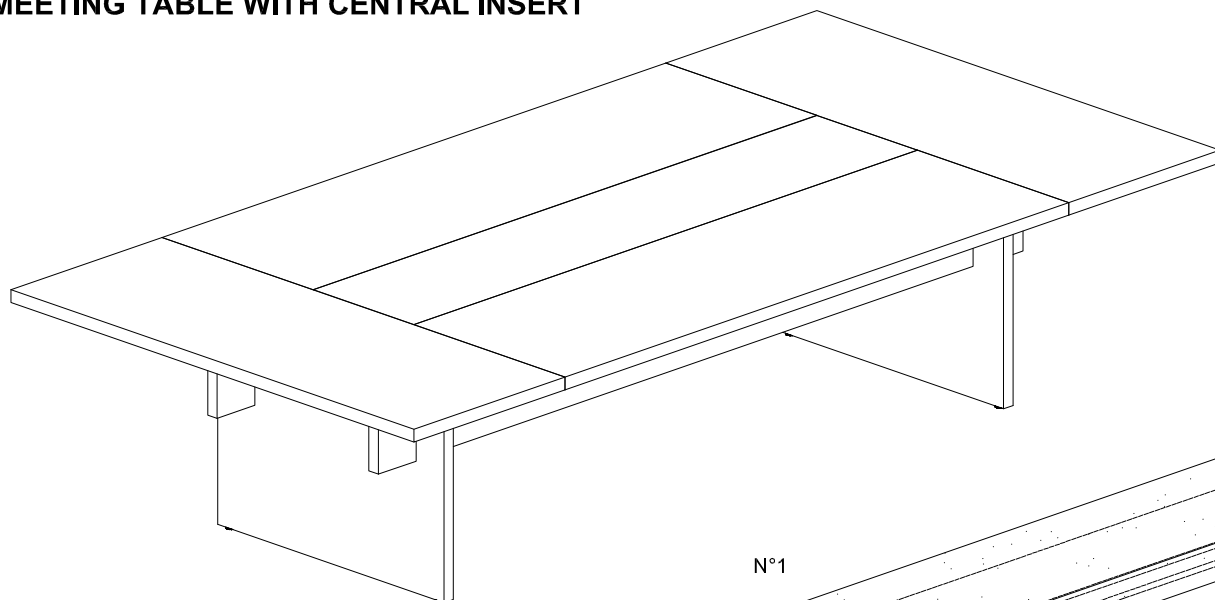
CHECK LIST
4FESC08700

K		10
L		10
M		5
N		8
O		2





MEETING TABLE WITH CENTRAL INSERT



CHECK LIST

7FETA030

S		3
T		3

CHECK LIST

7YST03702

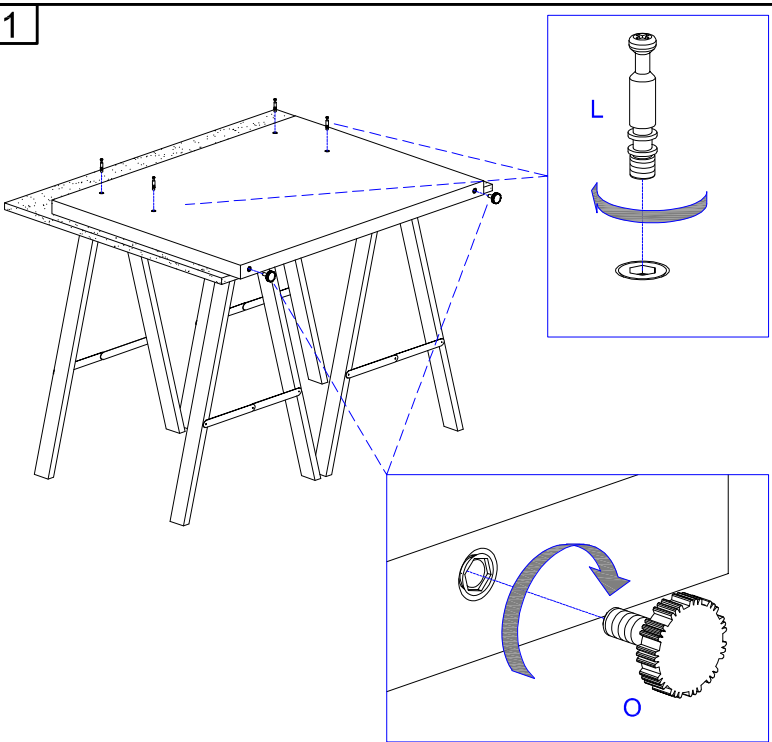
P		2
Q		8
R		8

CHECK LIST

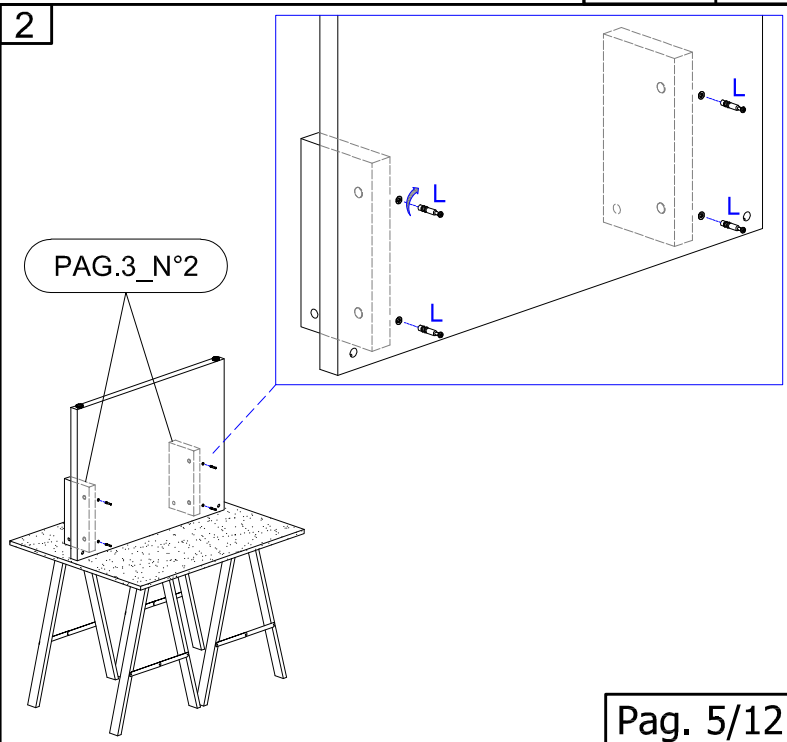
4FESC08800

K		14
L		14
M		6
N		8
O		2

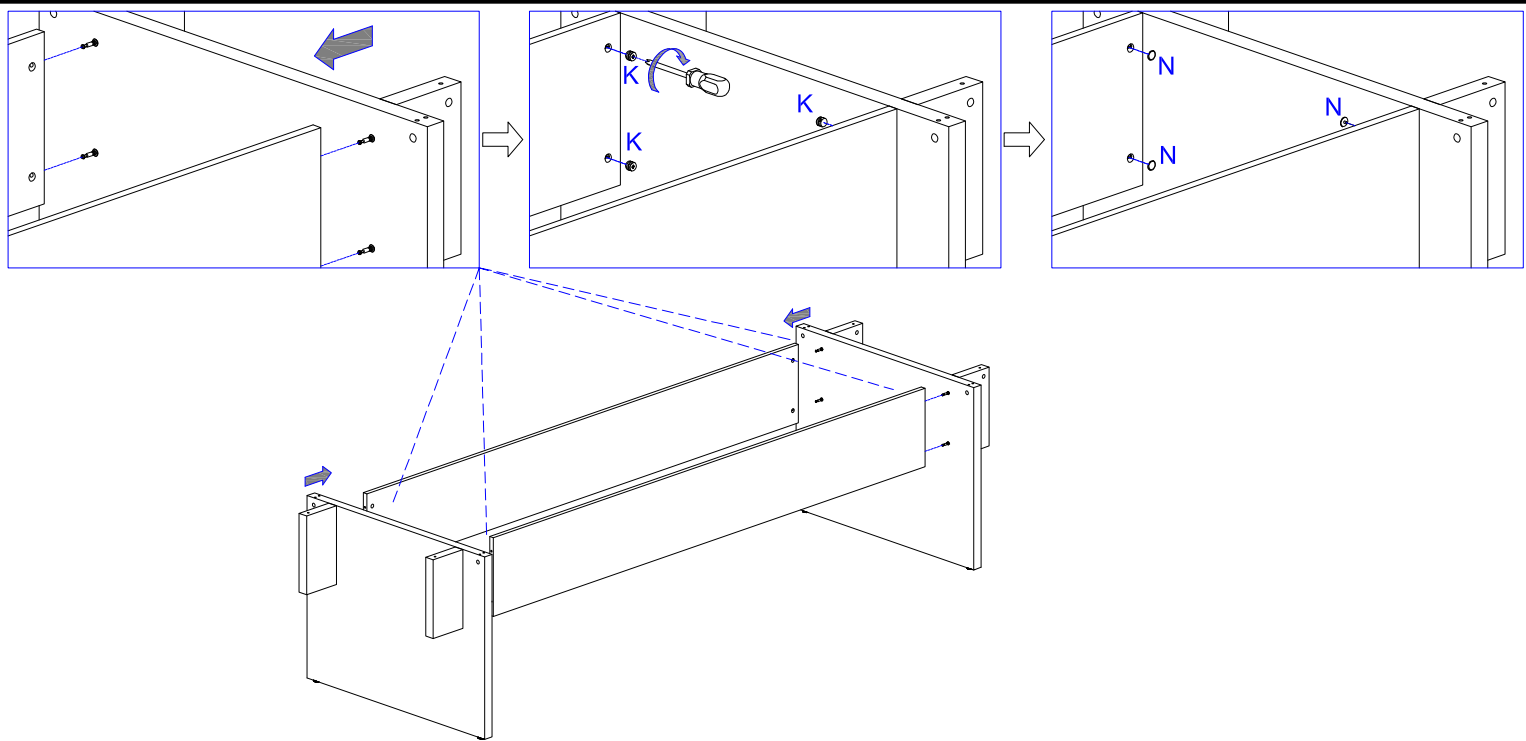
1



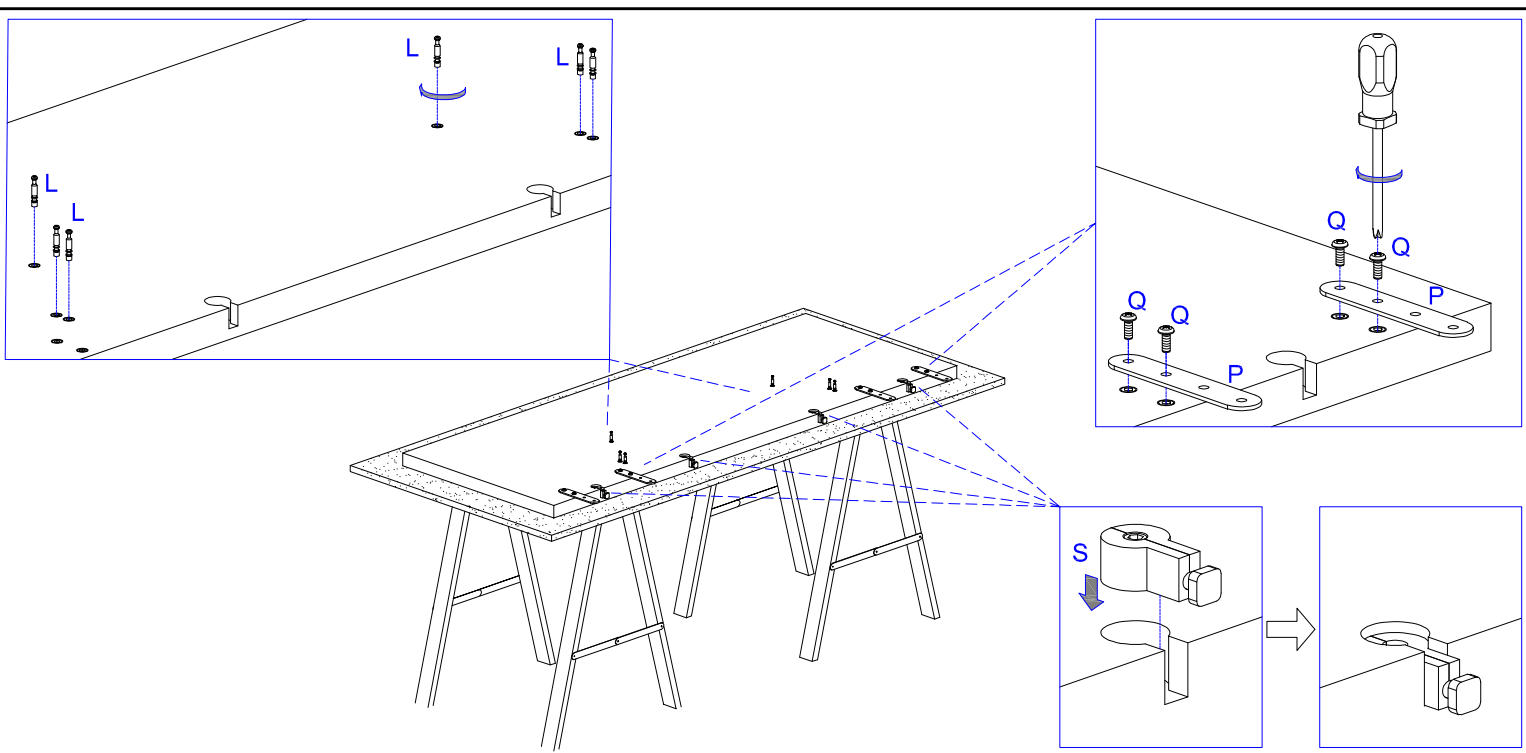
2



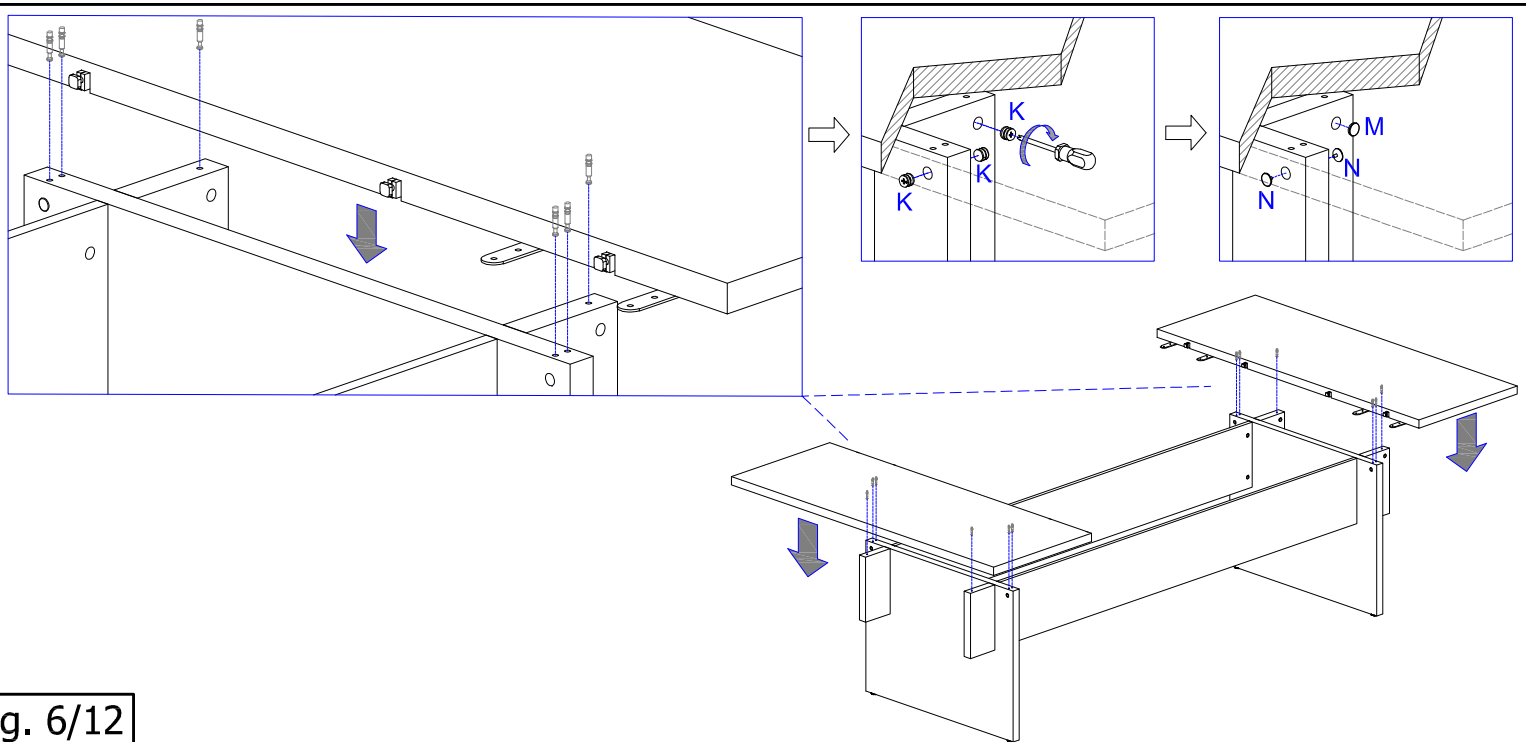
3



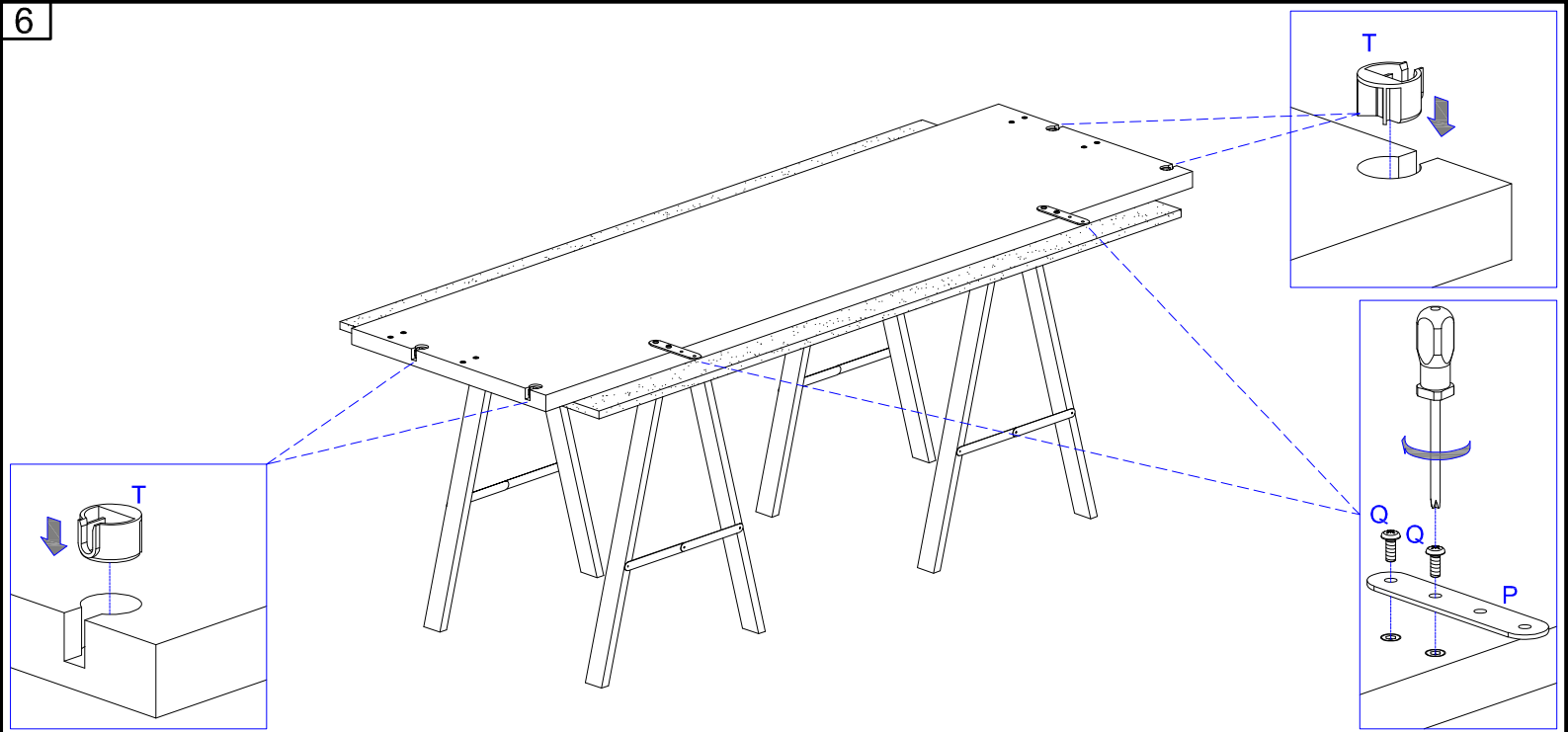
4



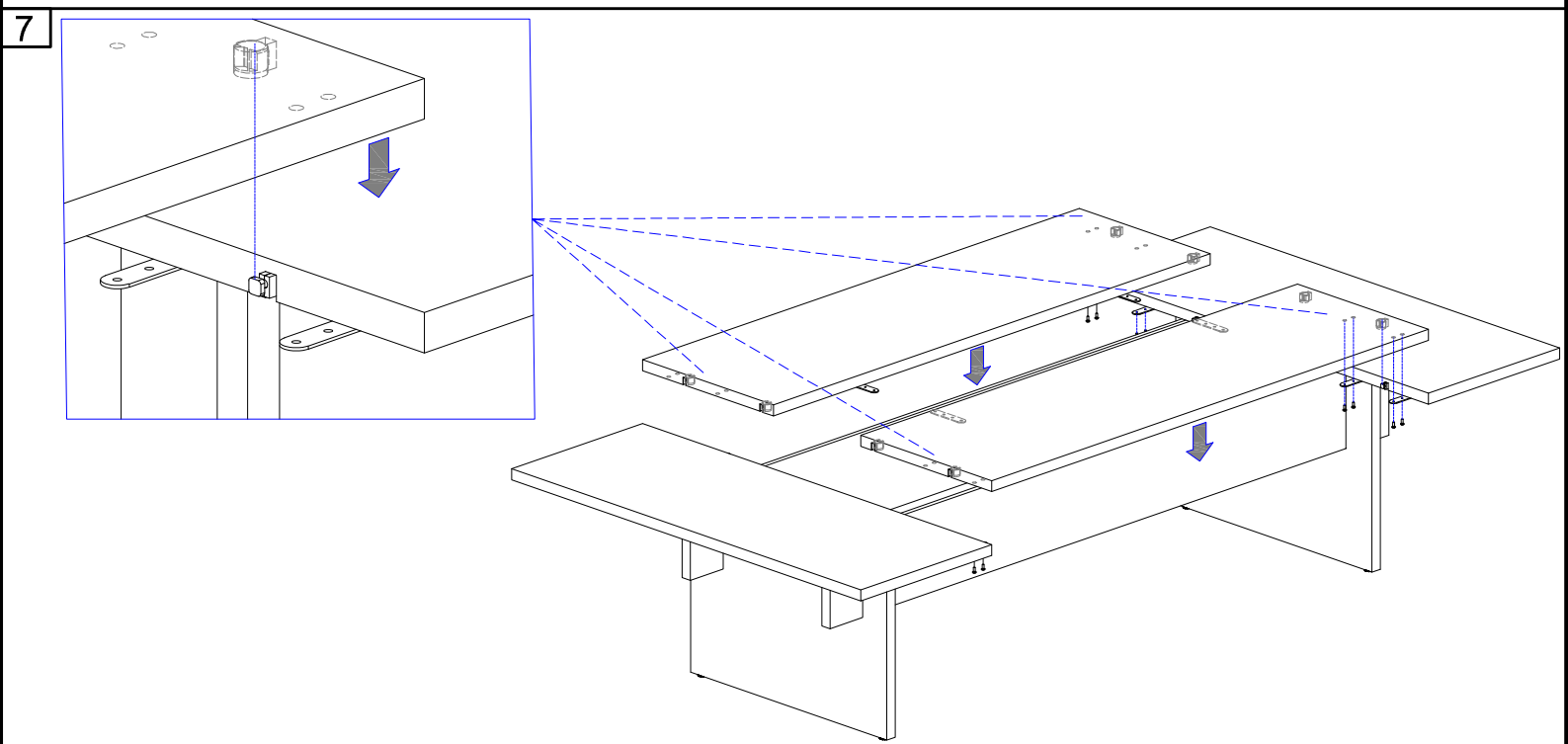
5



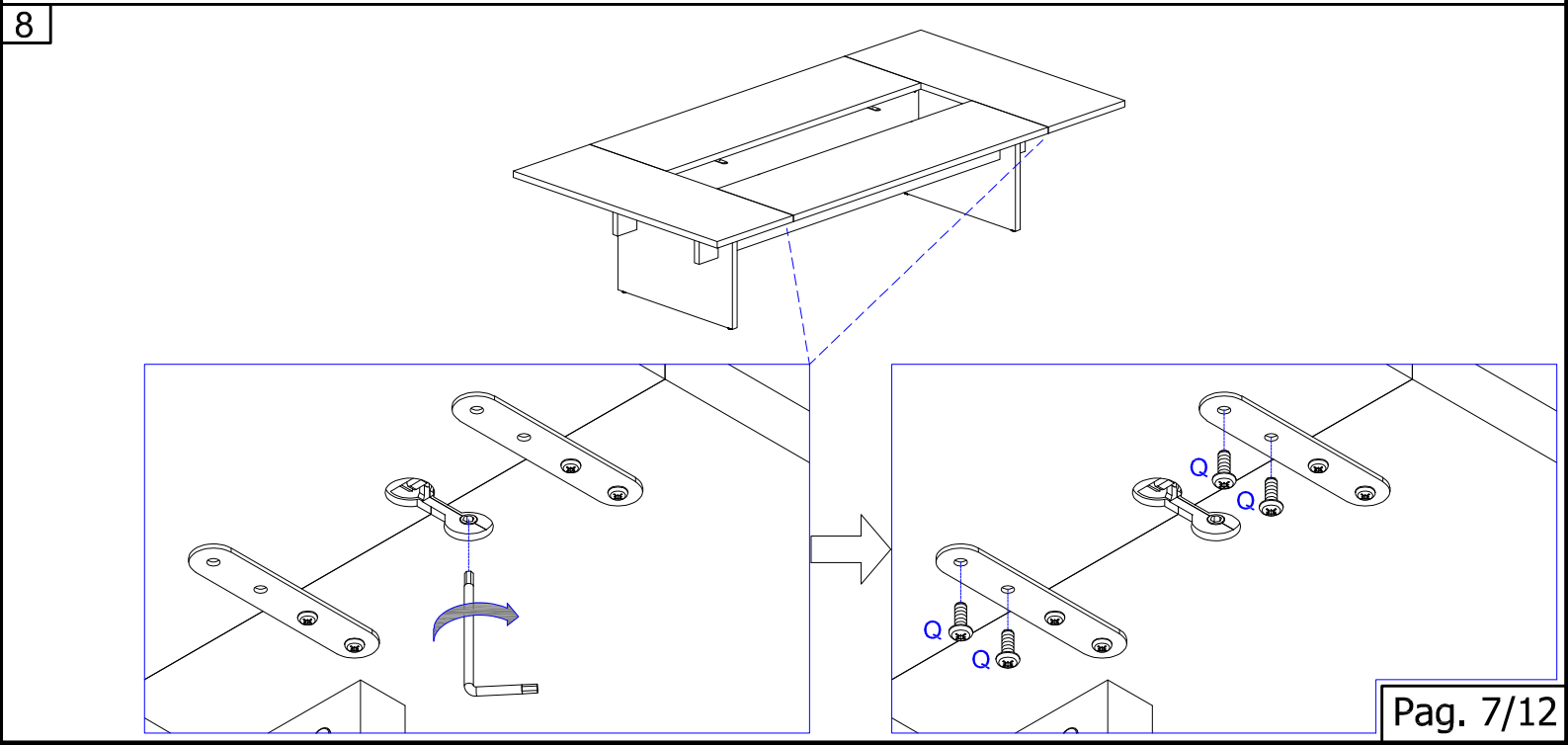
6

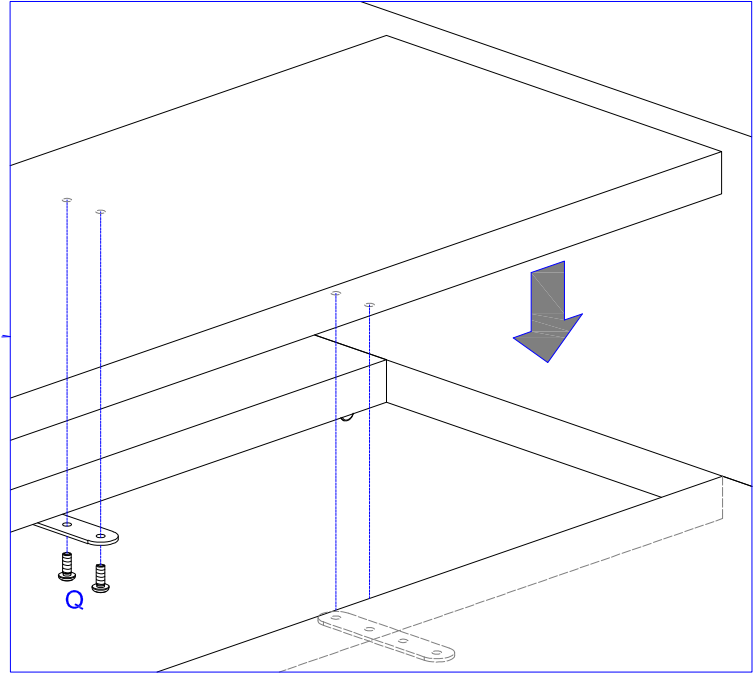
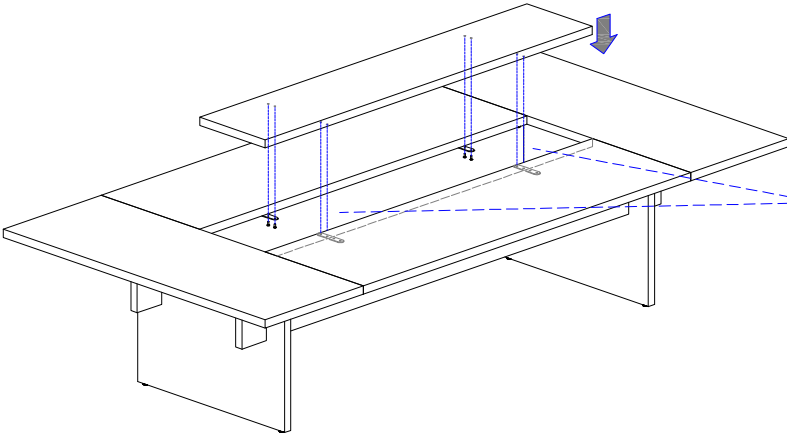


7

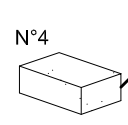
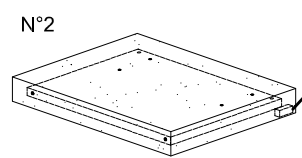
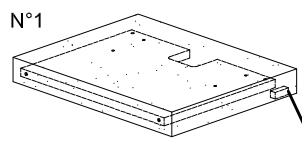
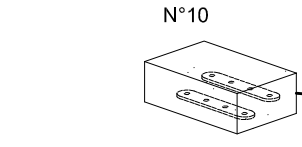
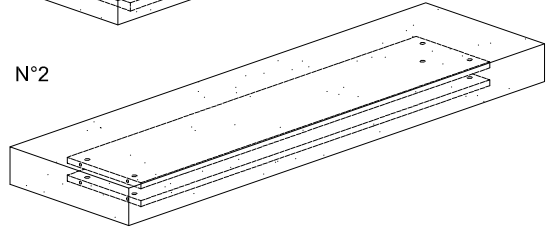
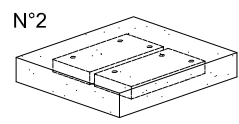
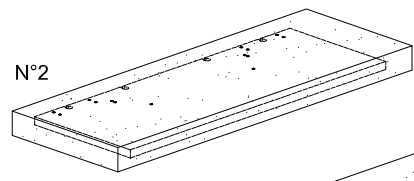
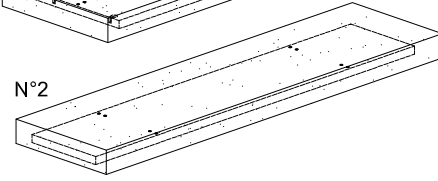
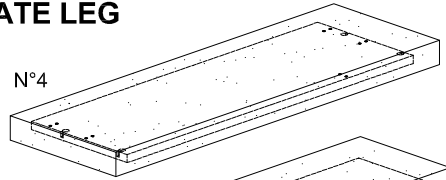
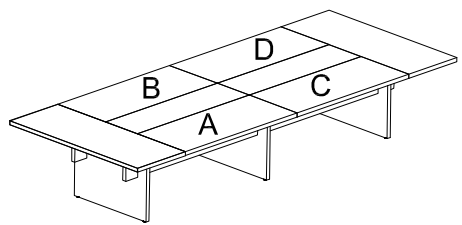


8





MEETING TABLE WITH CENTRAL INSERT AND INTERMEDIATE LEG



CHECK LIST
7YST03702

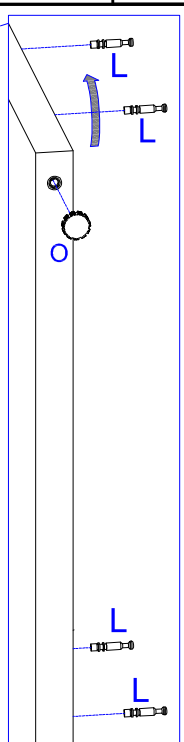
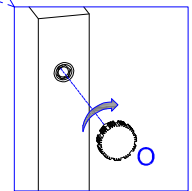
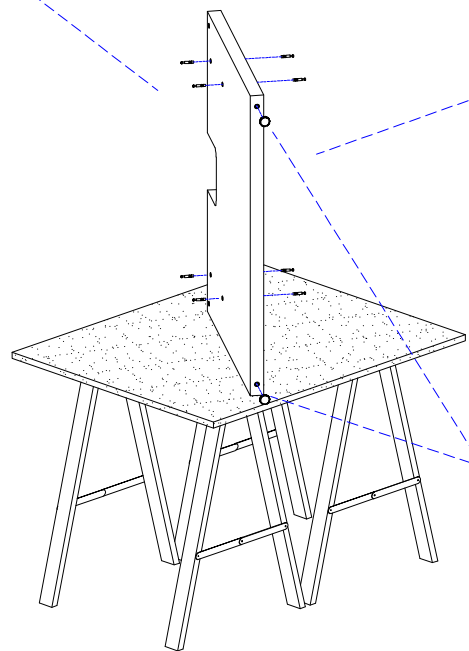
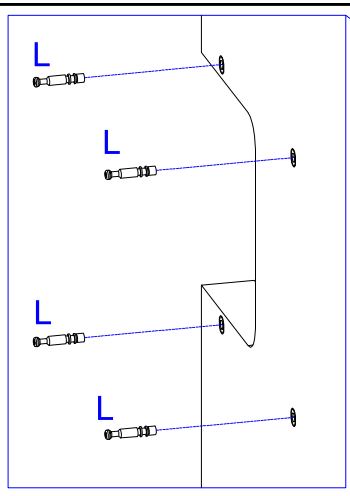
P		2
Q		8
R		8

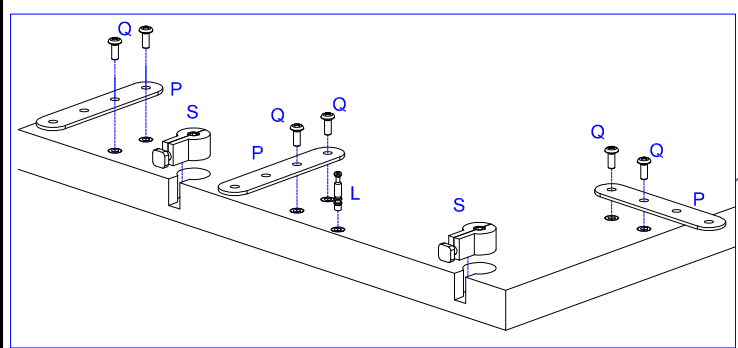
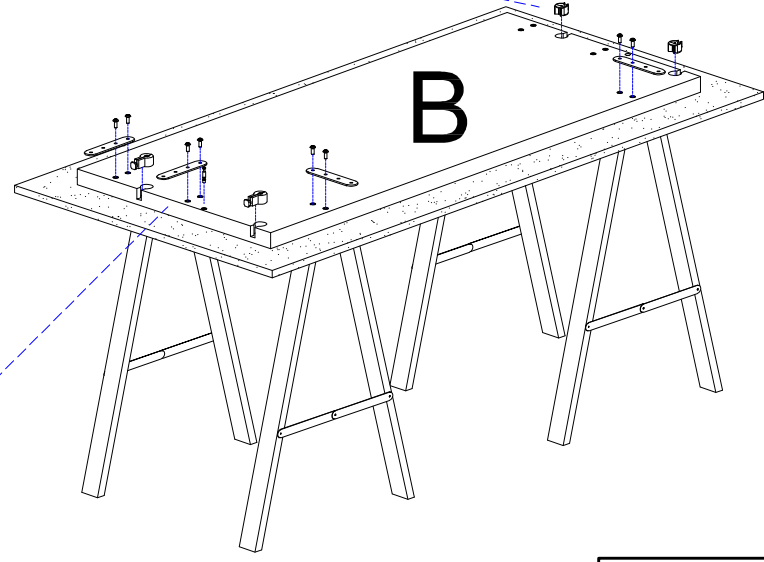
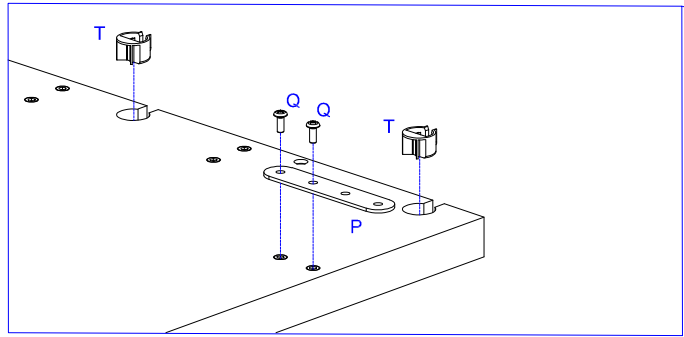
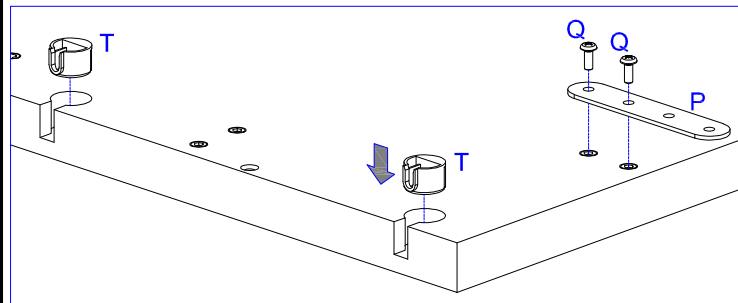
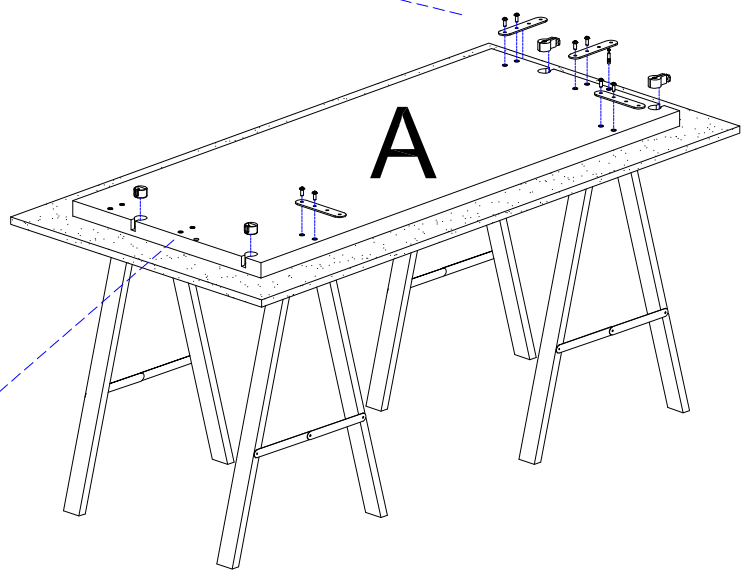
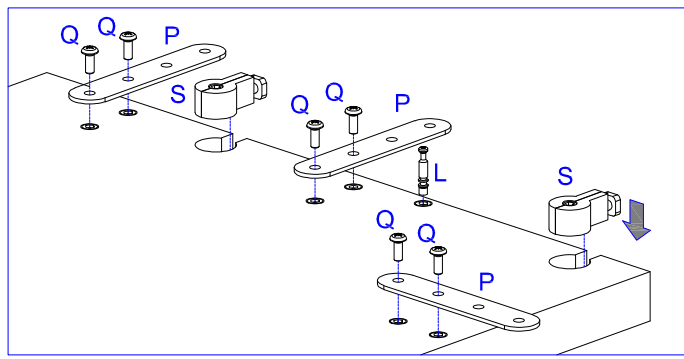
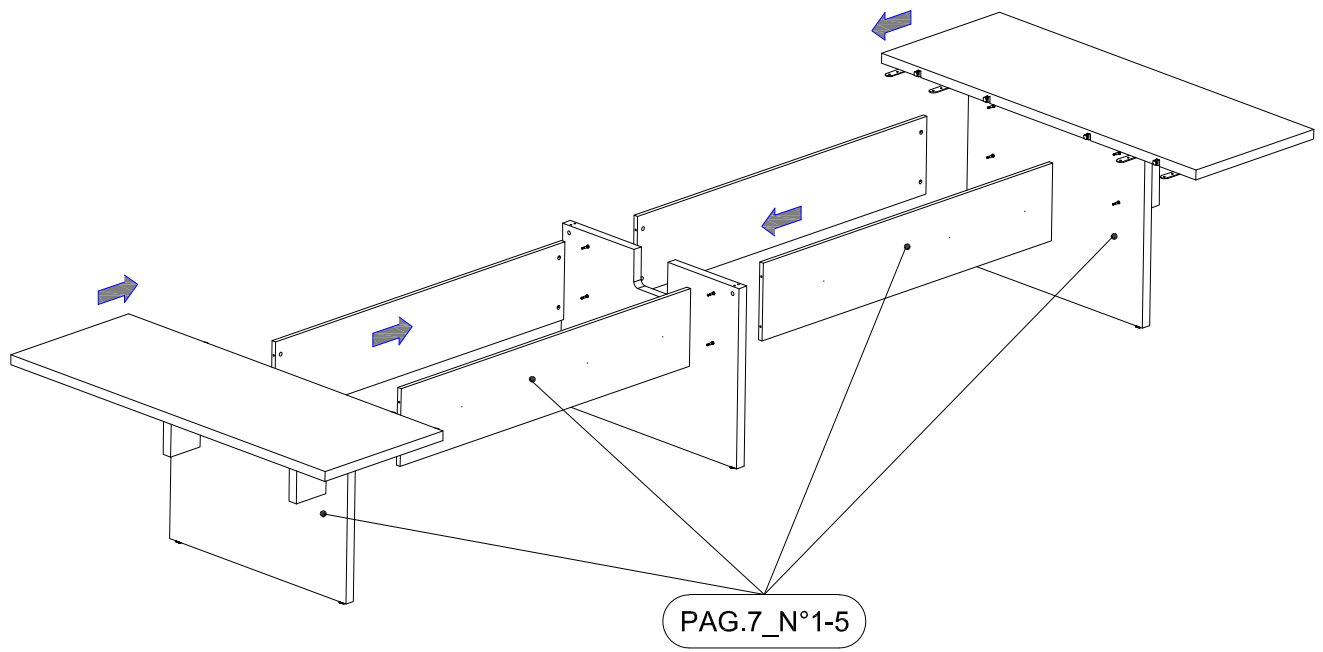
CHECK LIST
4FESC08800

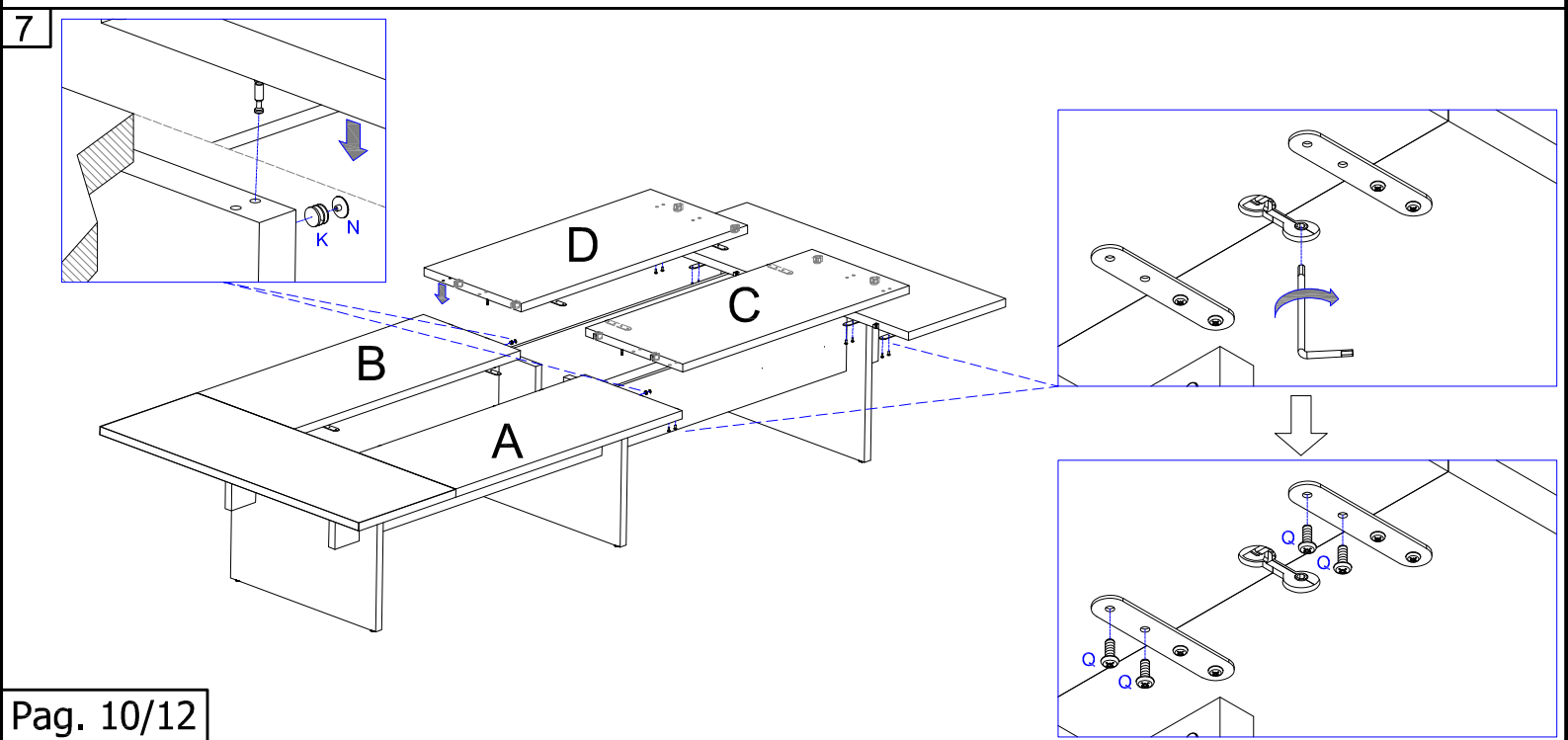
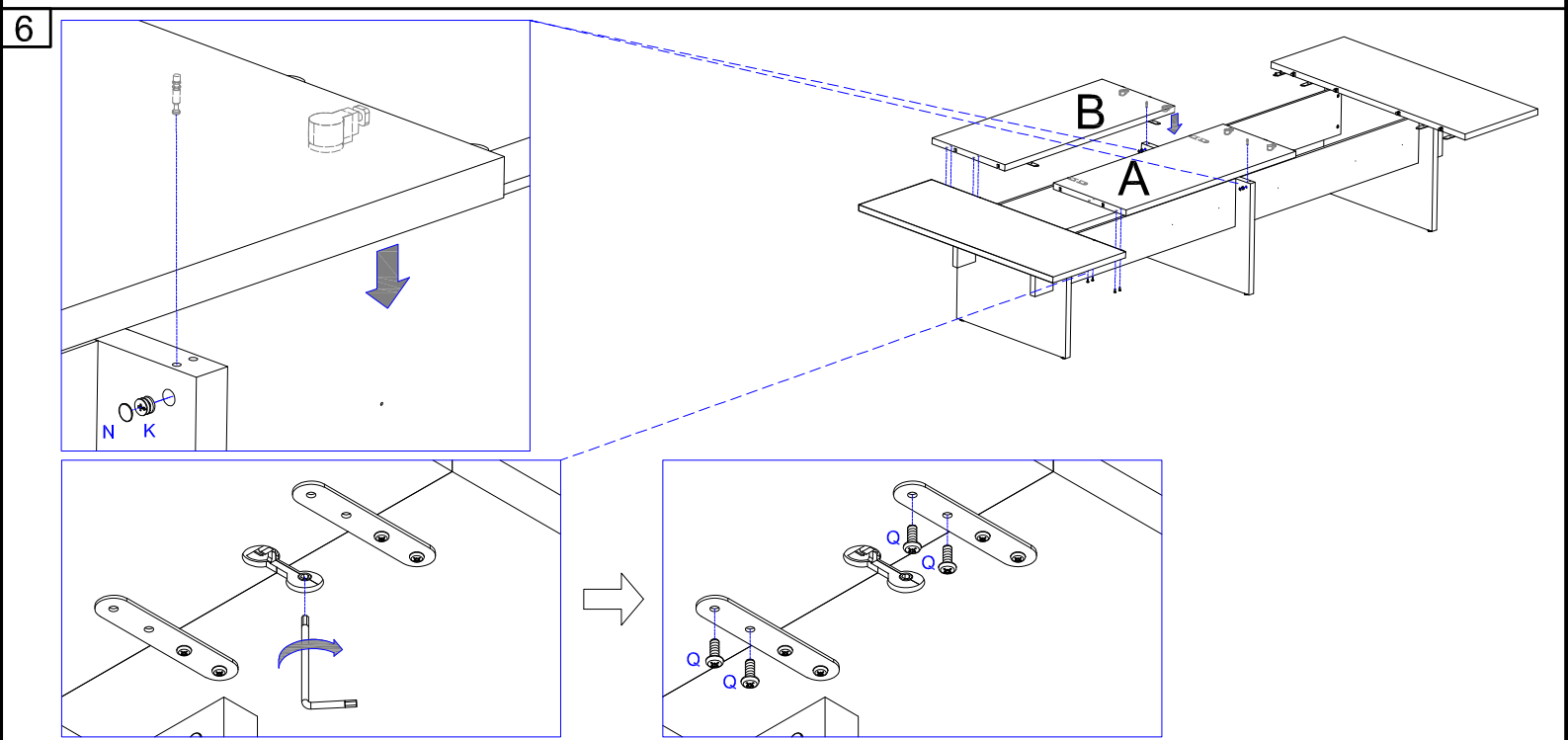
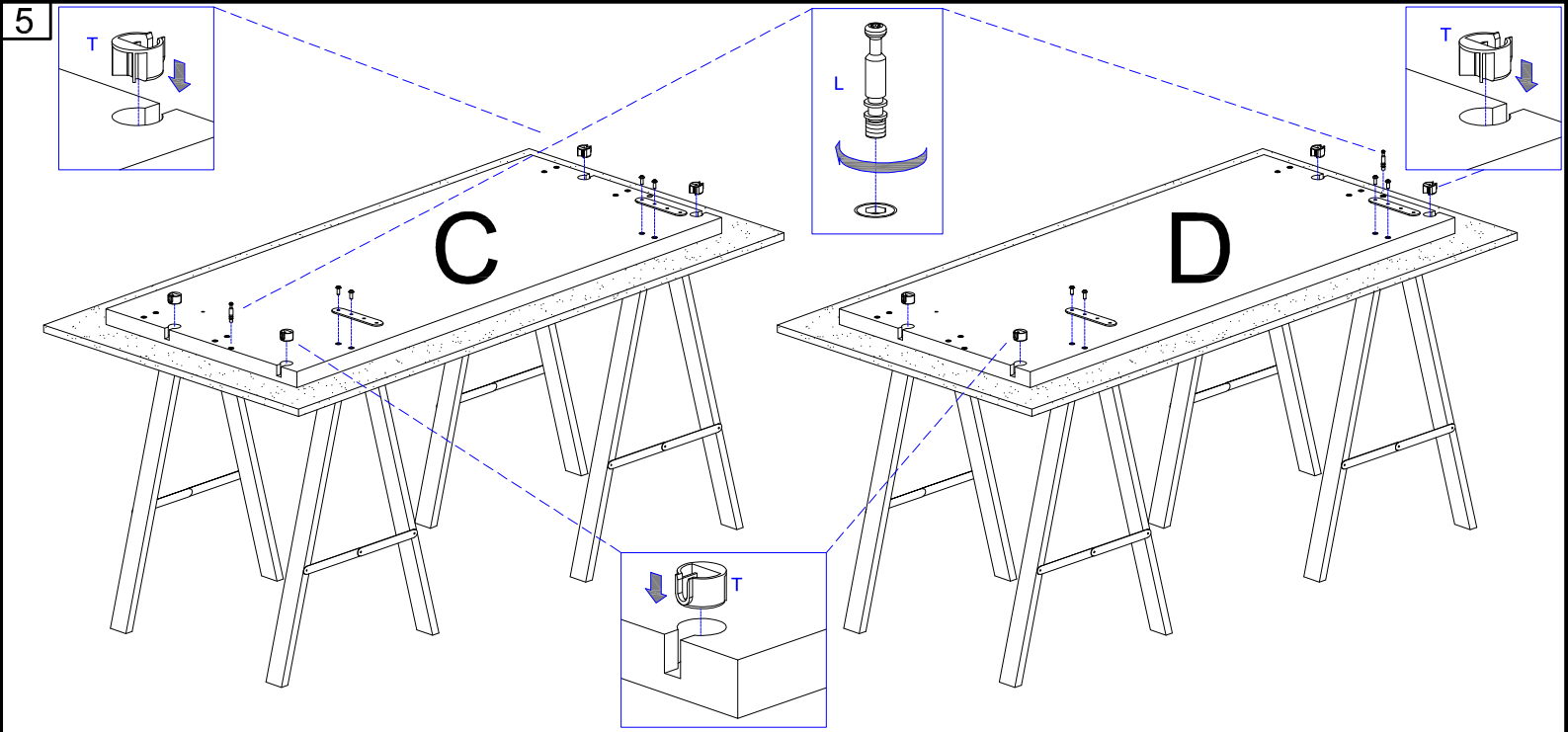
K		14
L		14
M		6
N		8
O		2

CHECK LIST
7FETA030

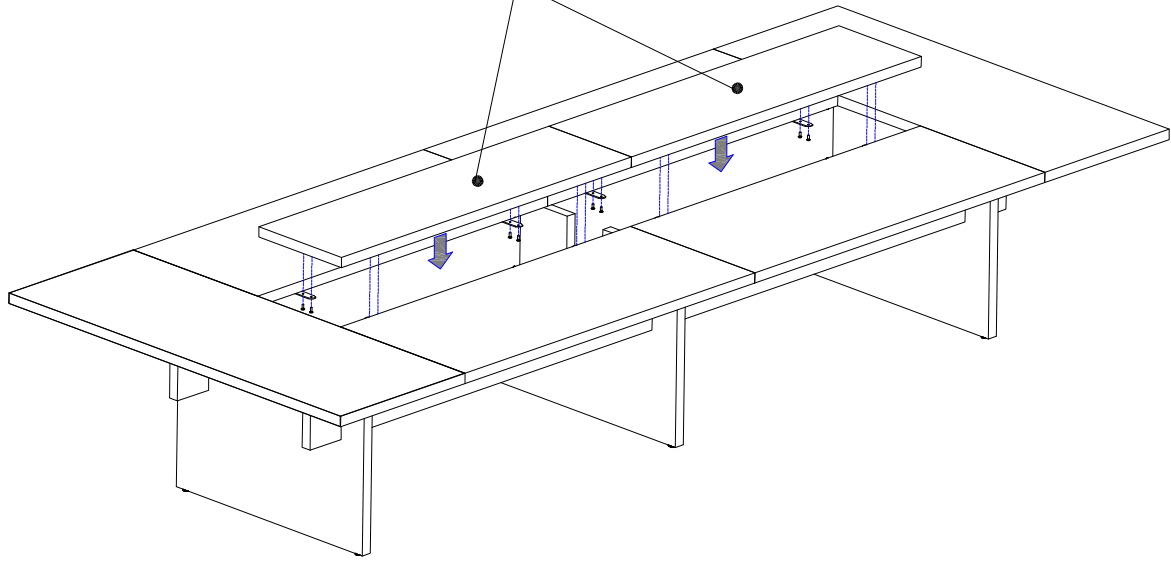
S		3
T		3



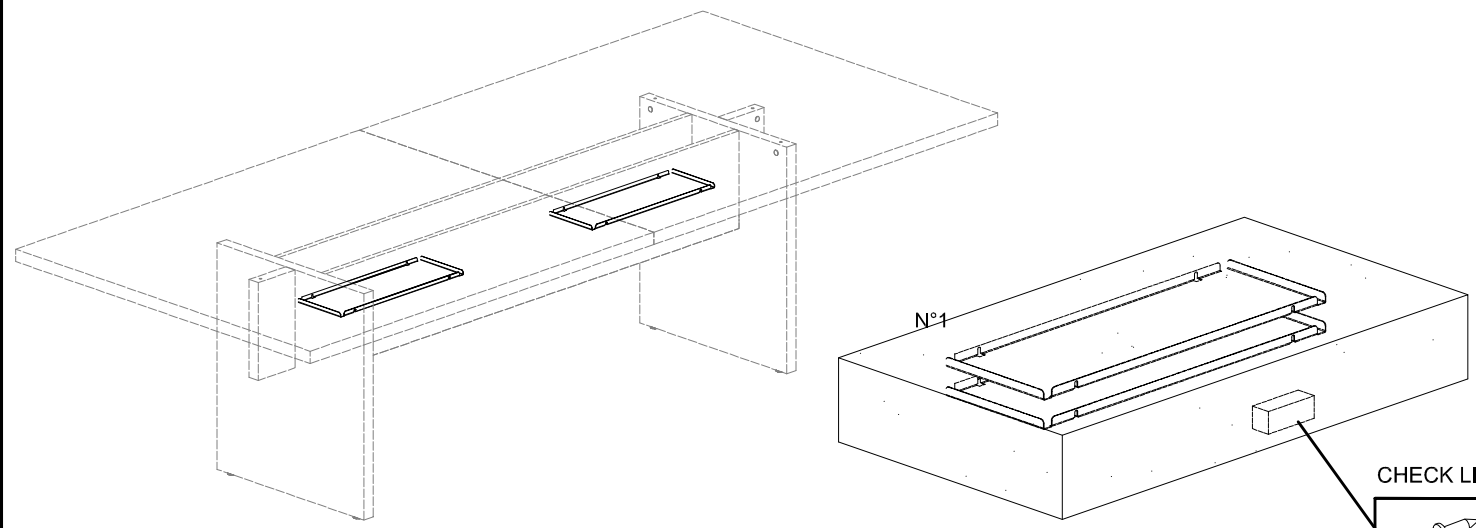





PAG.9_N°9



CABLES HOLDER BASKETS



CHECK LIST

U		8
---	---	---

