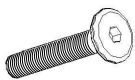





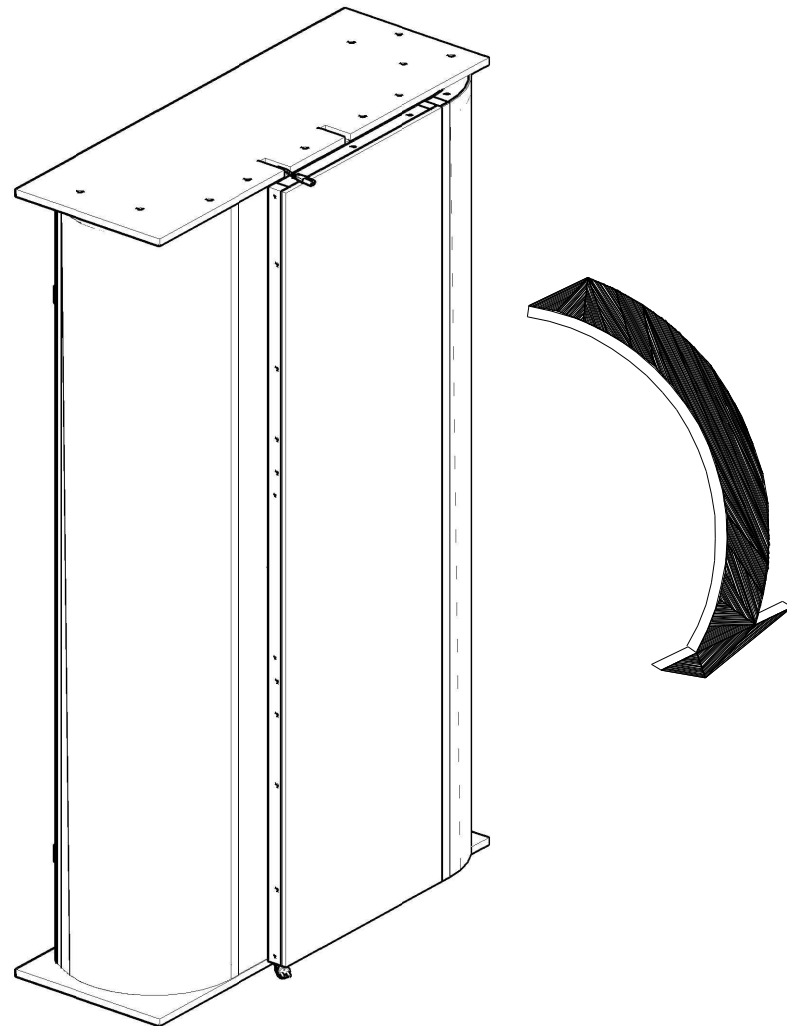
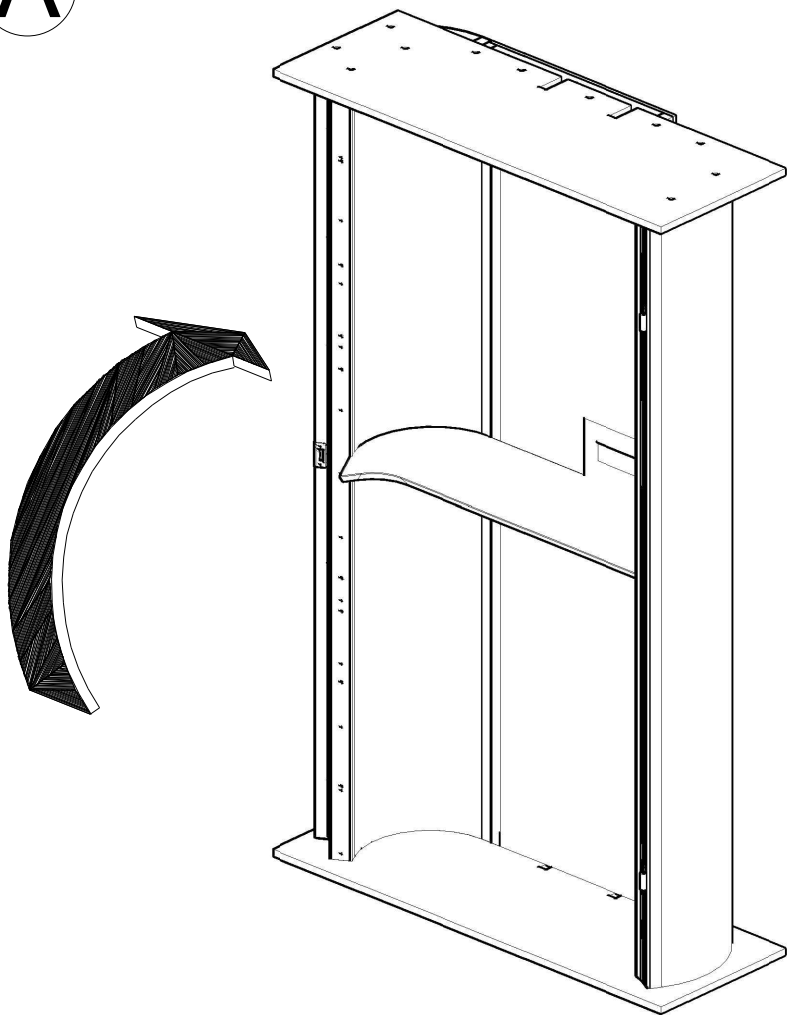
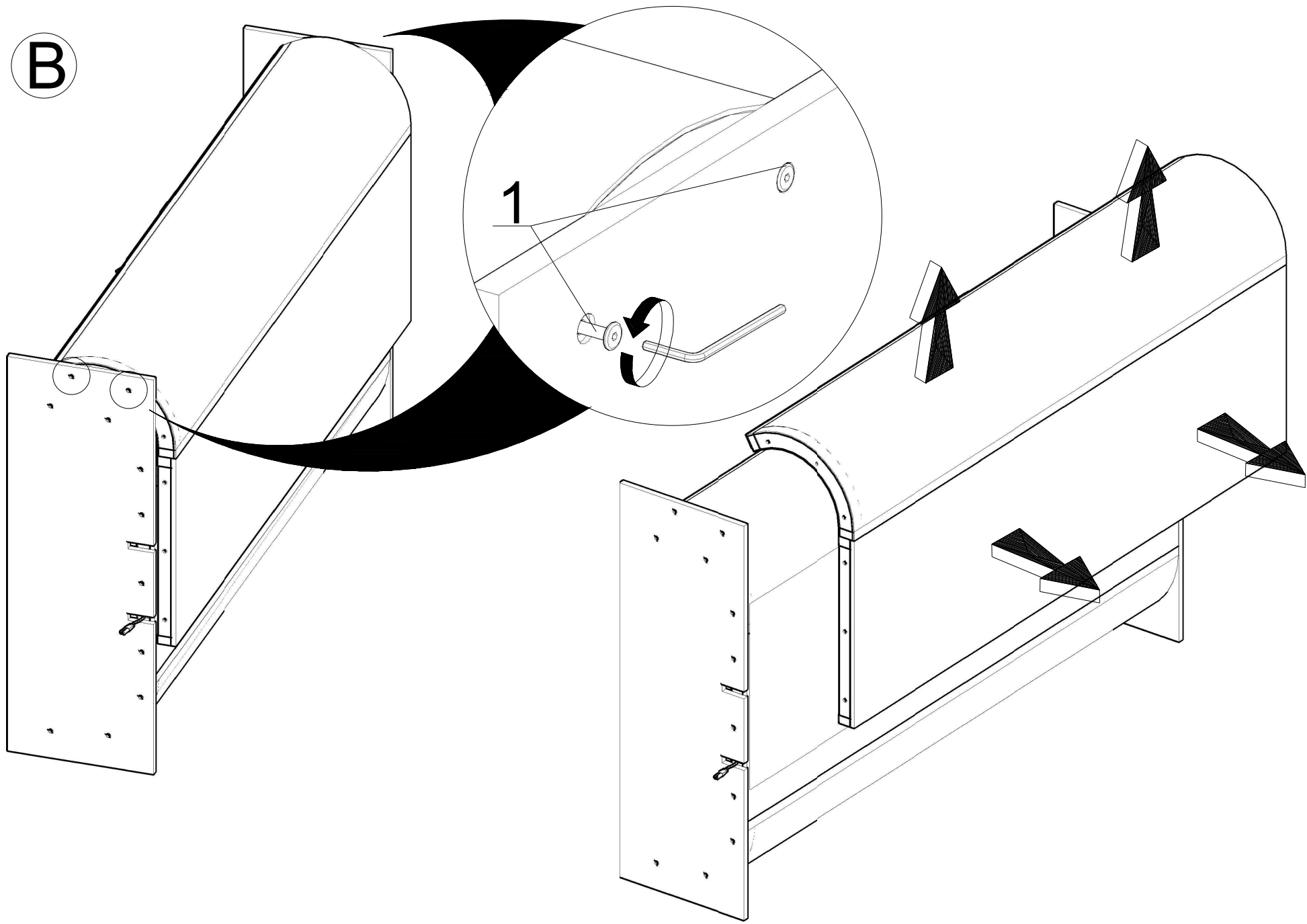


<p>1</p>  <p>M6x35 WWI</p>	<p>2</p>  <p>M6x60 WWI</p>	<p>3</p>  <p>Ø3.5x16 stoż.</p>	<p>4</p>  <p>Ø3x20 stoż.</p>	<p>5</p>  <p>M6x16</p>		<h1>HN01</h1>
---	---	---	---	---	---	---------------

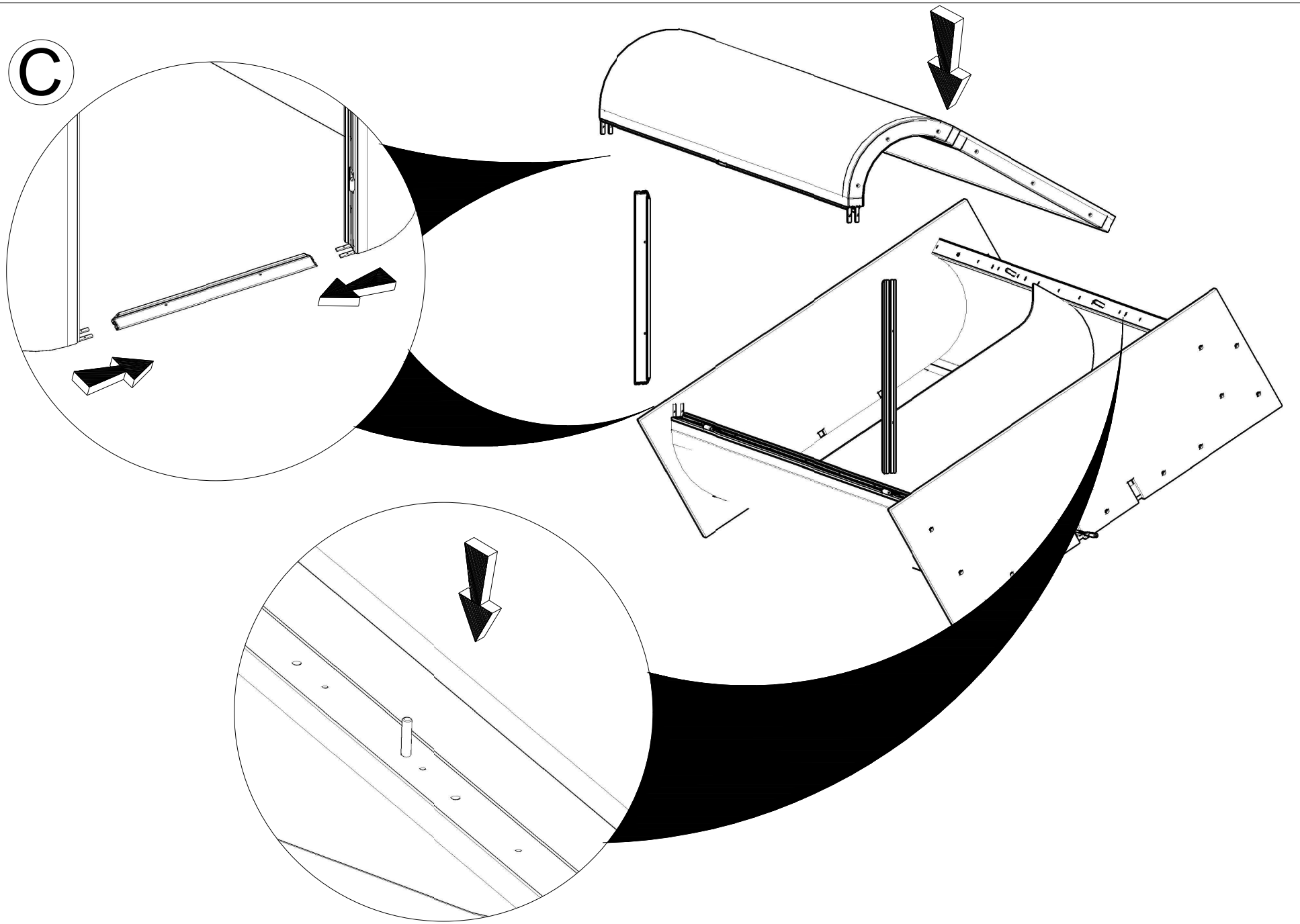
A



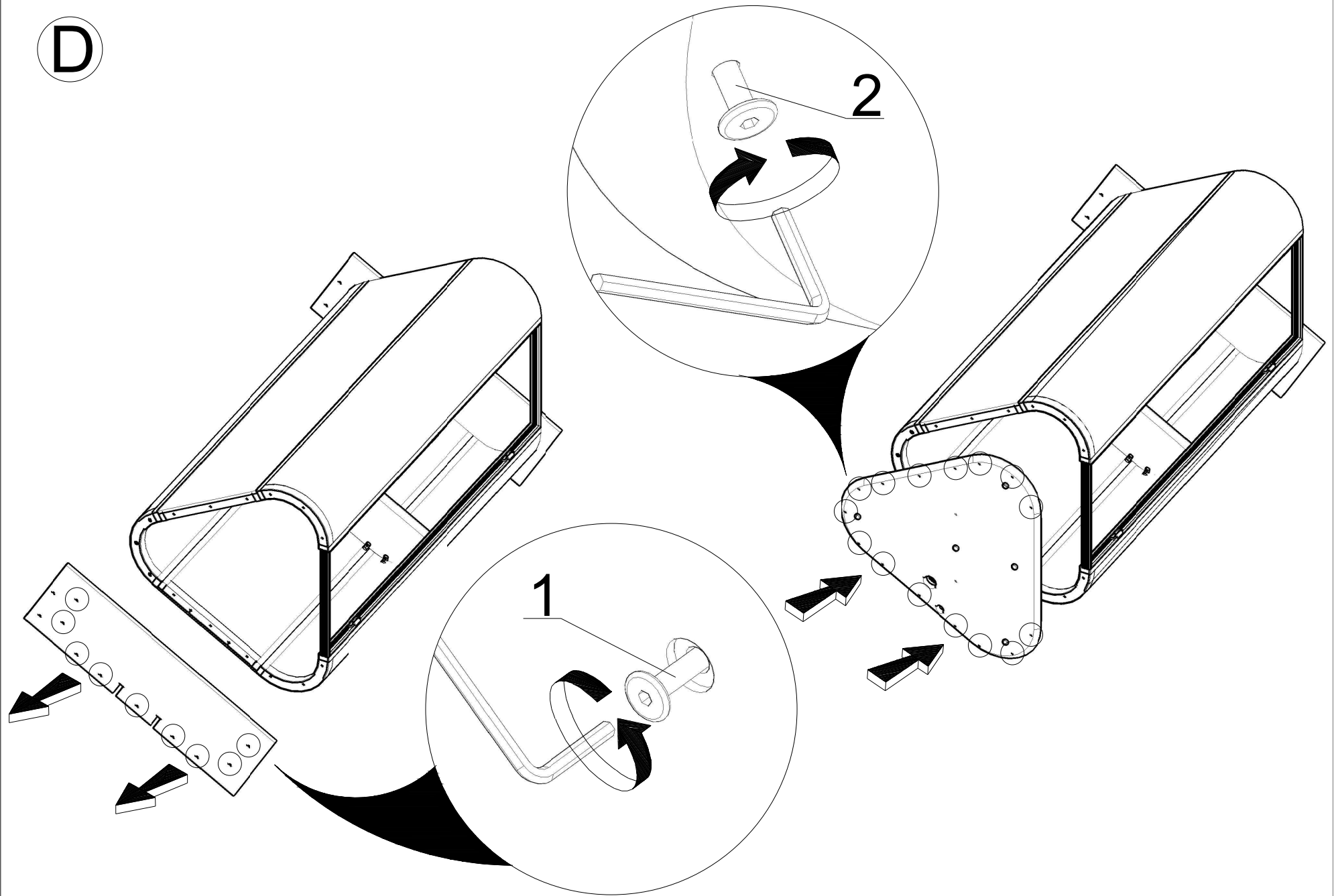
**B**



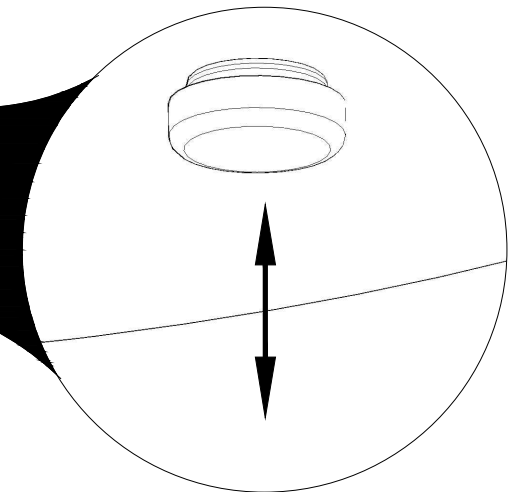
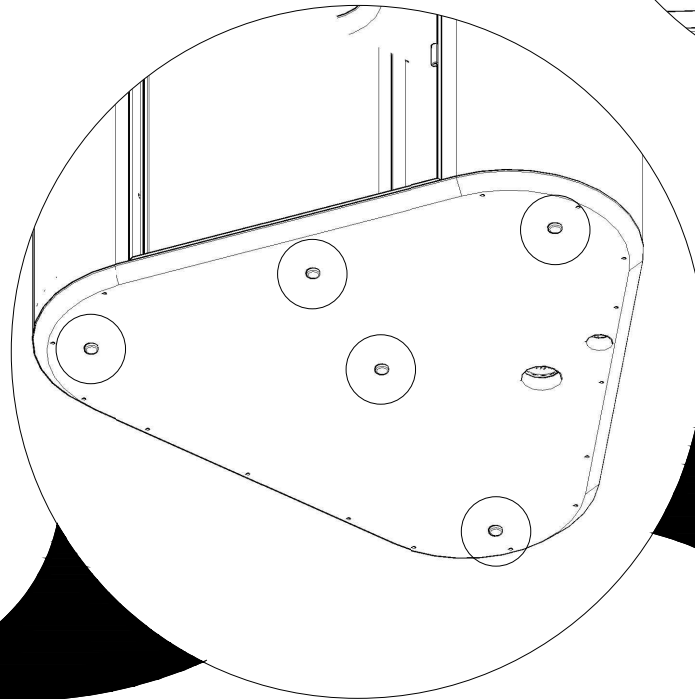
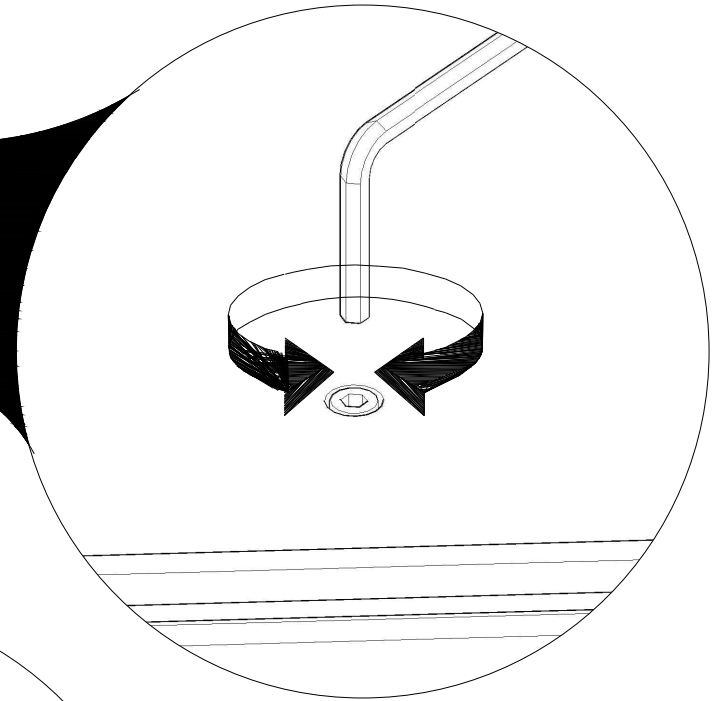
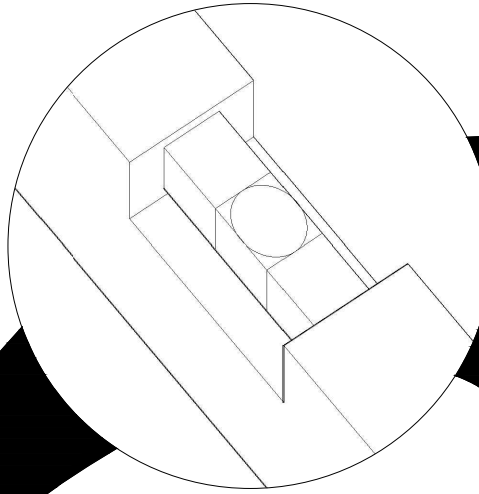
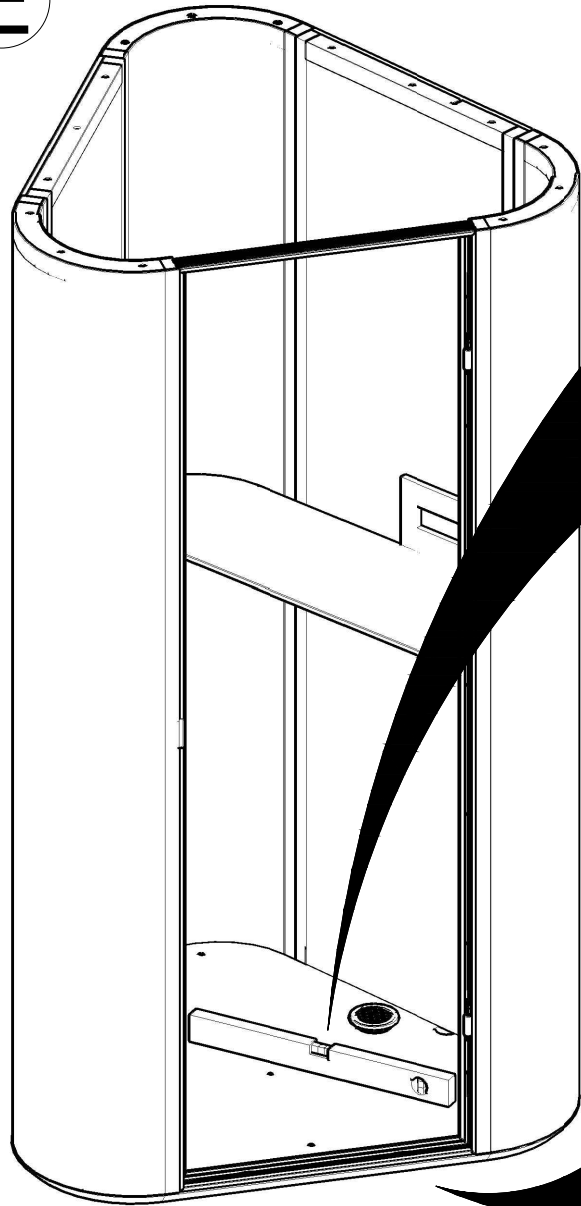
C



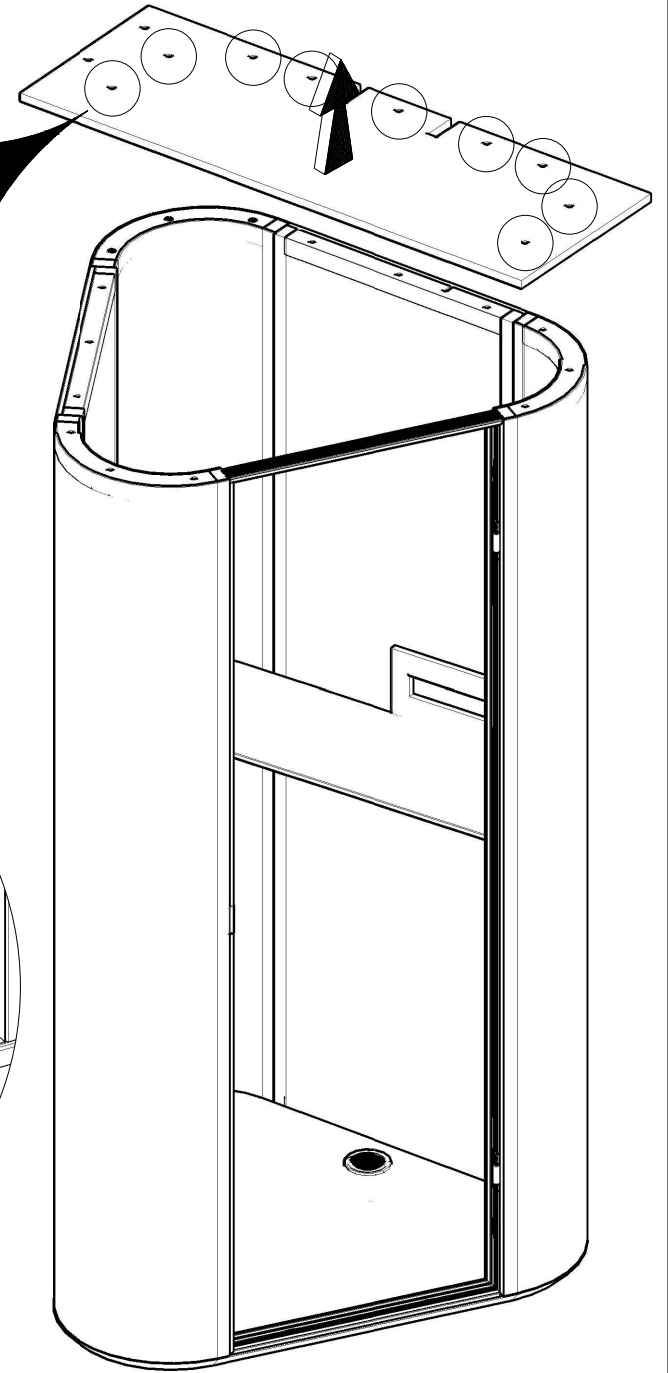
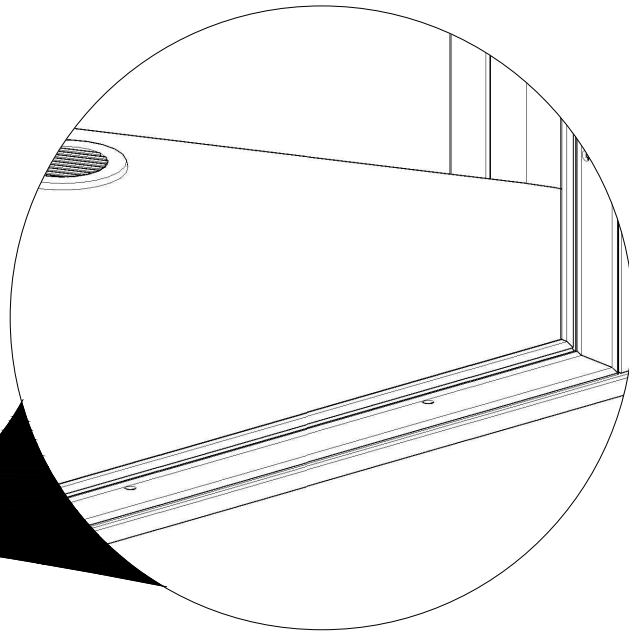
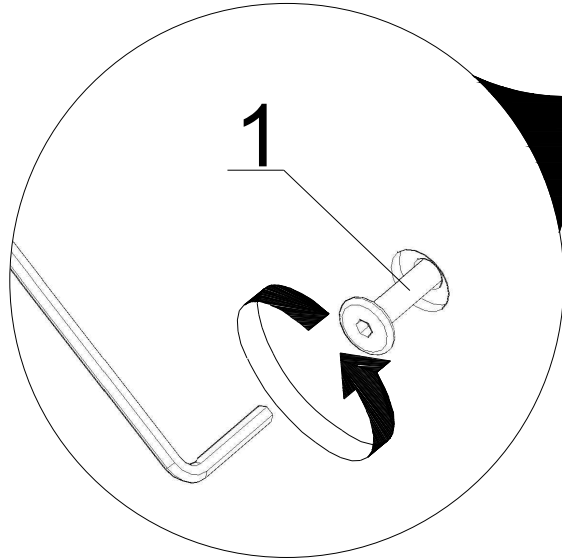
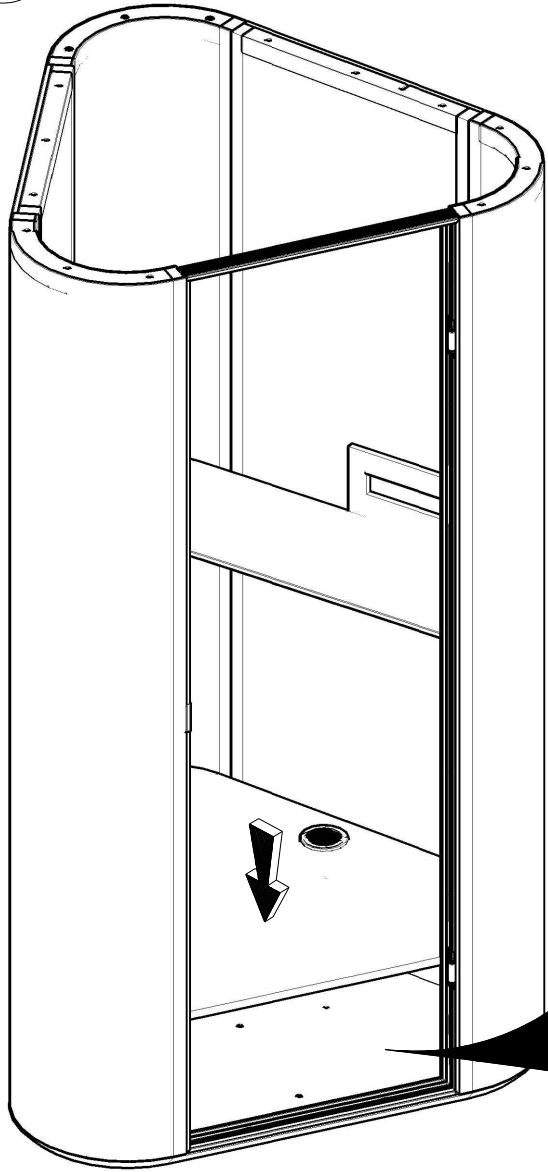
D



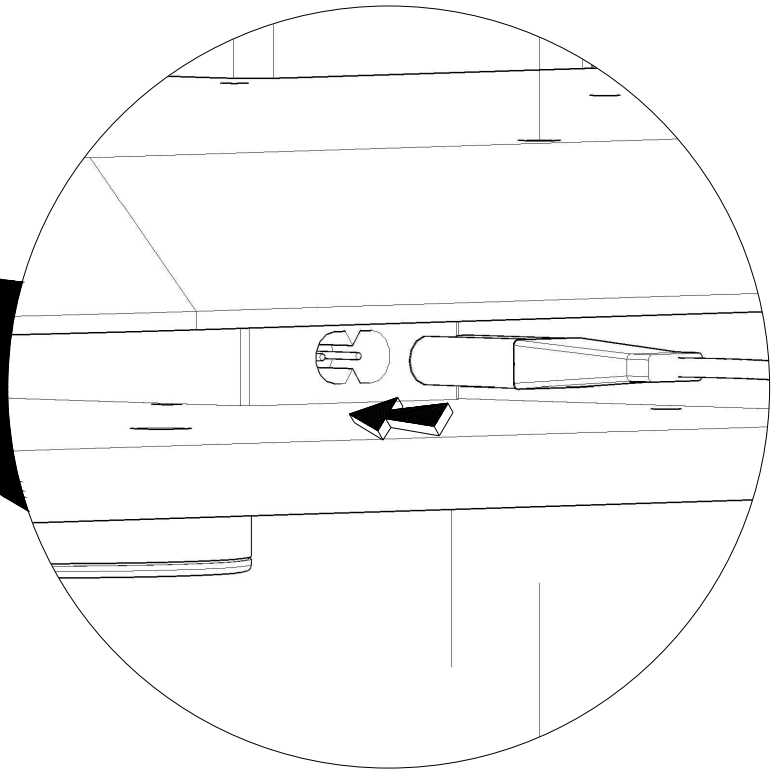
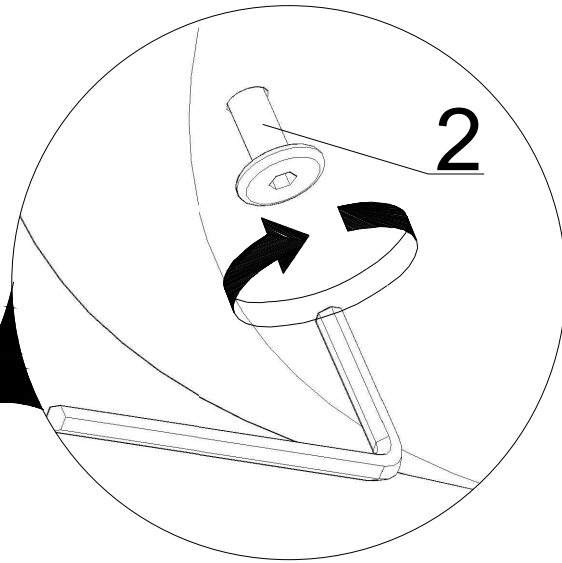
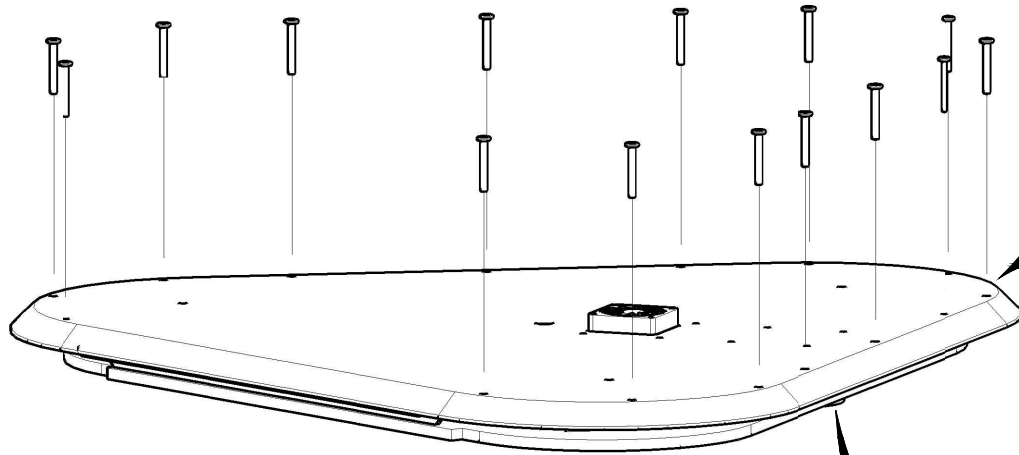
E



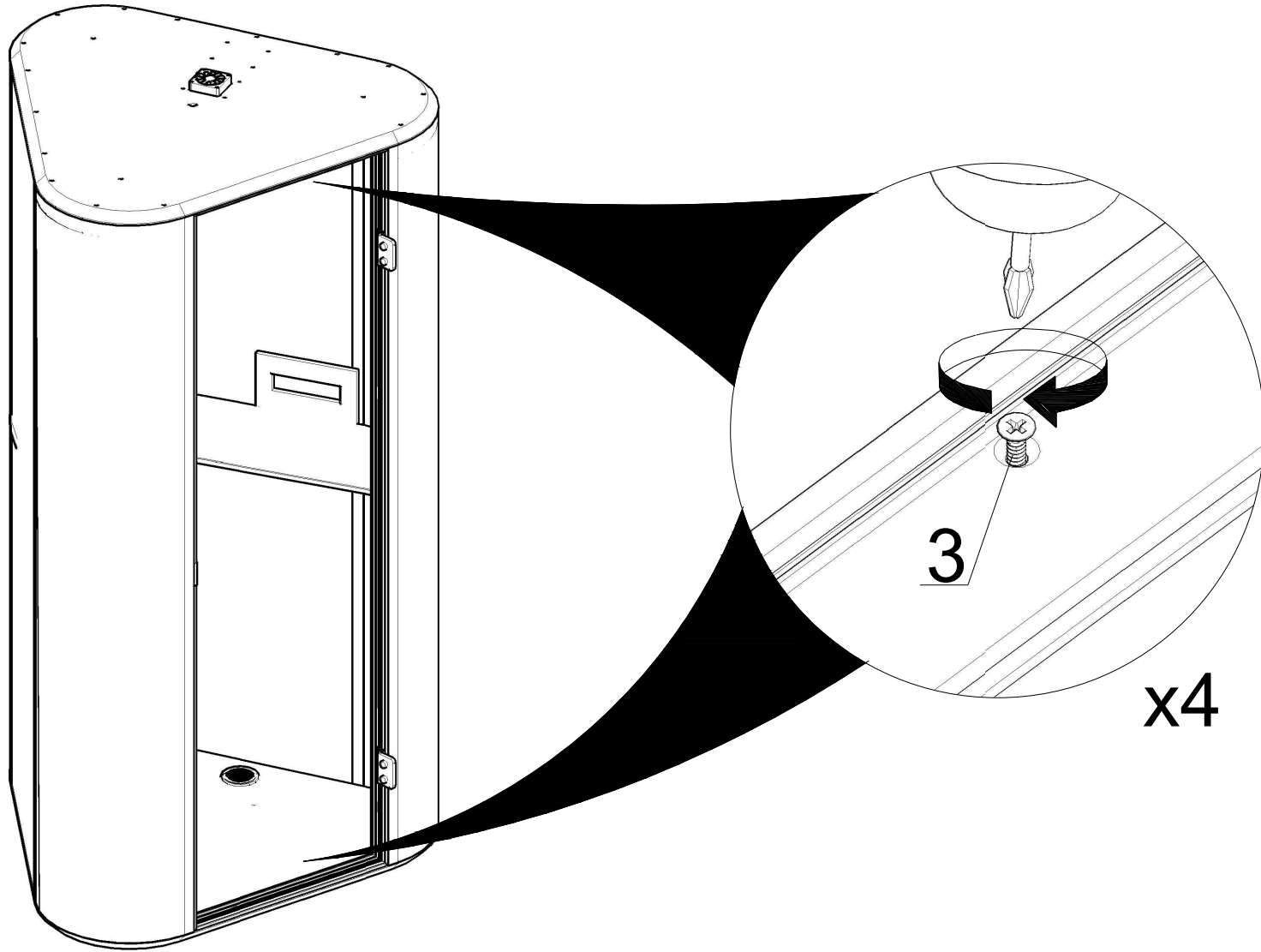
F



G



H

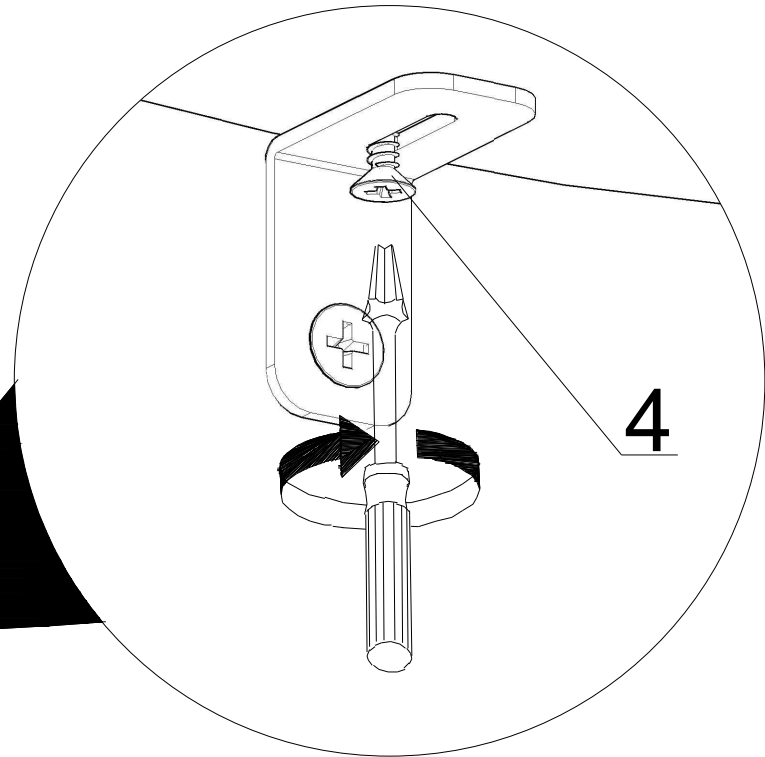
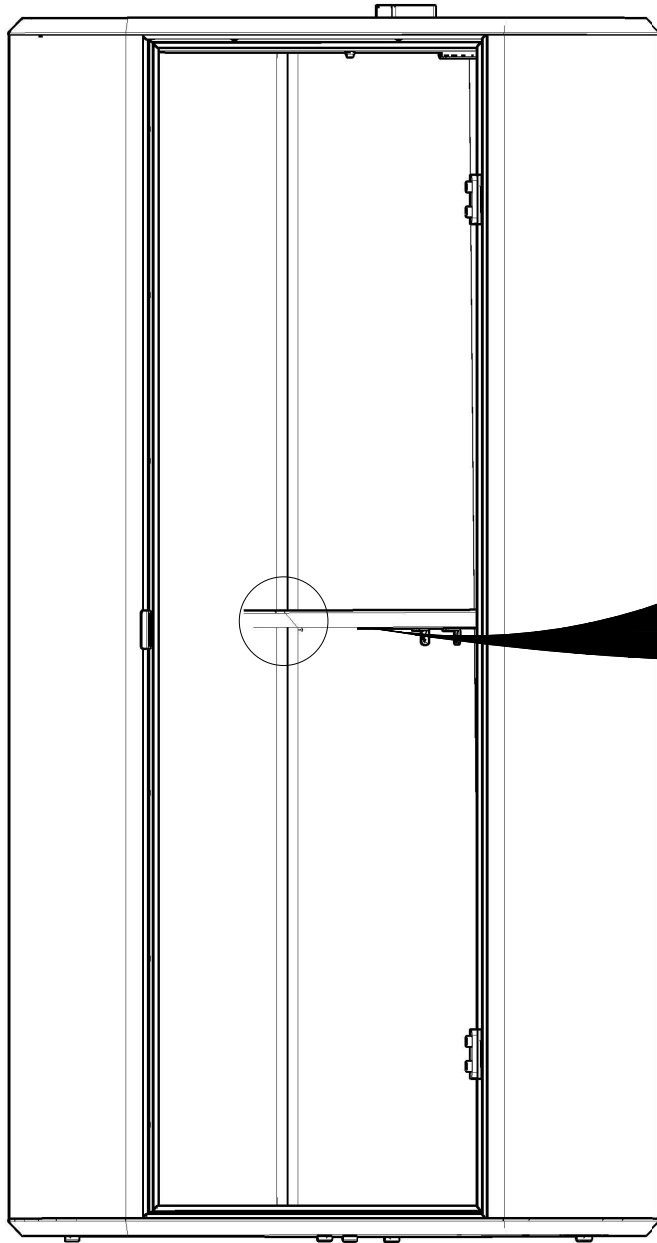


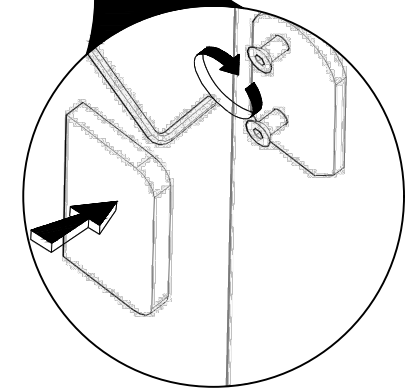
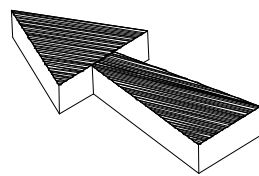
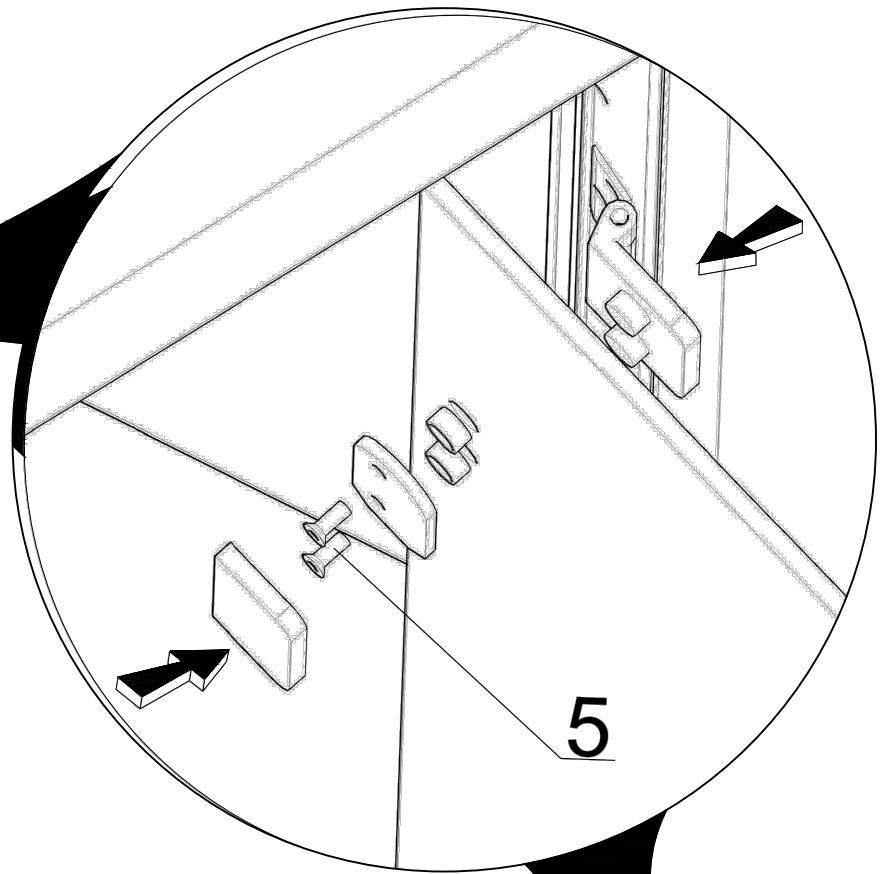
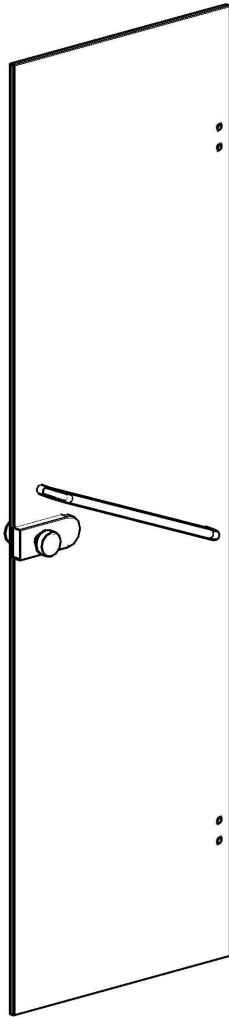
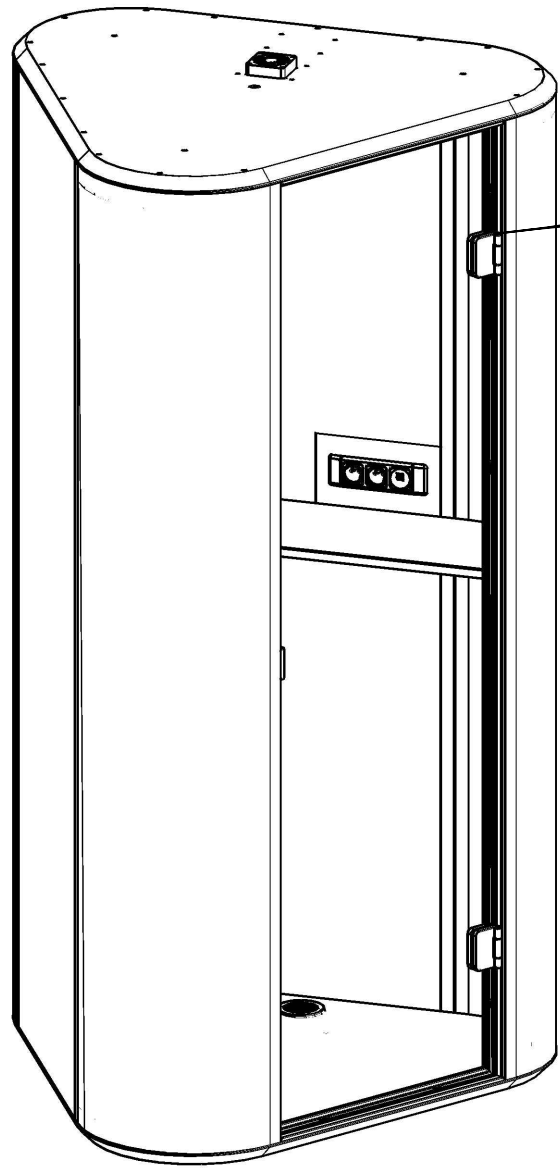
3

x4



1





K

