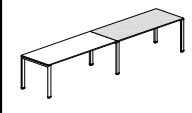


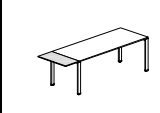
DESK



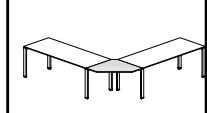
AGGREGATION DESK



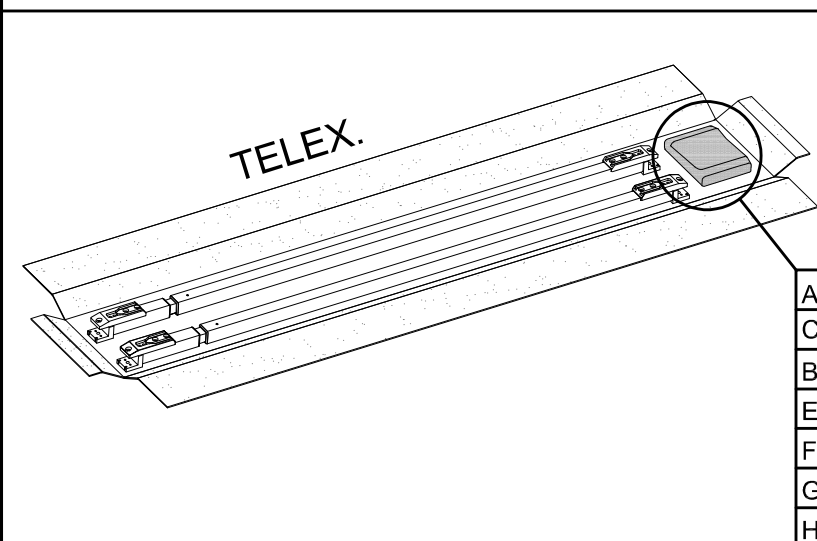
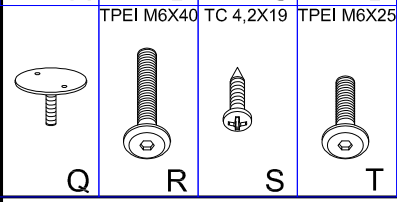
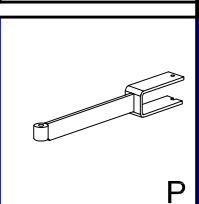
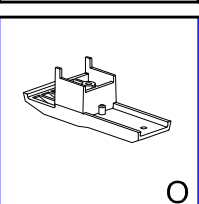
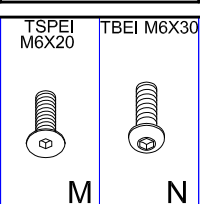
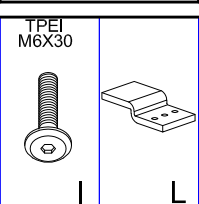
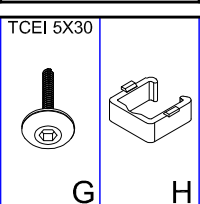
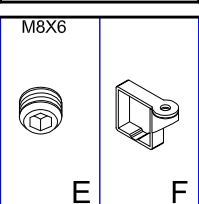
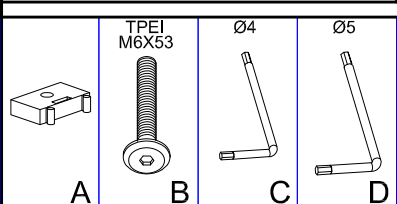
RETURN DESK



END ELEMENT



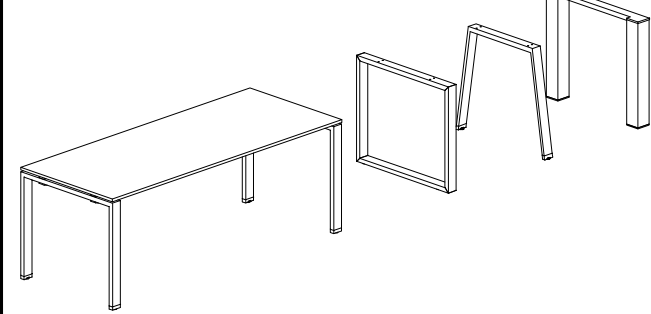
2 WAY 90° CONECTOR



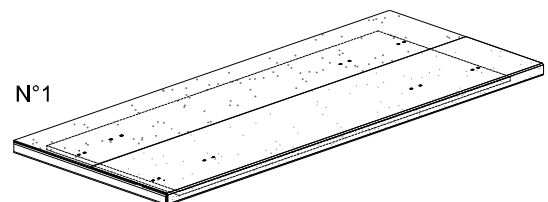
CHECK LIST

	TELEX EX: 7TRFG1857T2__				FIX EX: 7TRFG1740F2__			
	1057	1257	1857	2457	1340	1540	1740	1940
A	4	4	4	4	4	4	4	4
C	1	1	1	1				
B	9	9	8	9	8	8	8	8
E	3	3	2	3				
F		2	2	4	2	2	2	2
G		2	2	4	2	2	2	2
H				2				

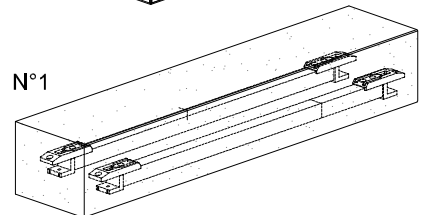
DESK



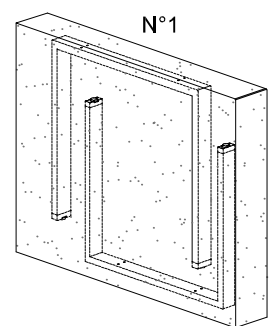
N°1



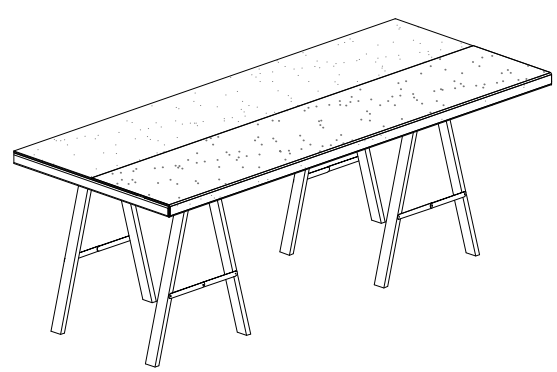
N°1



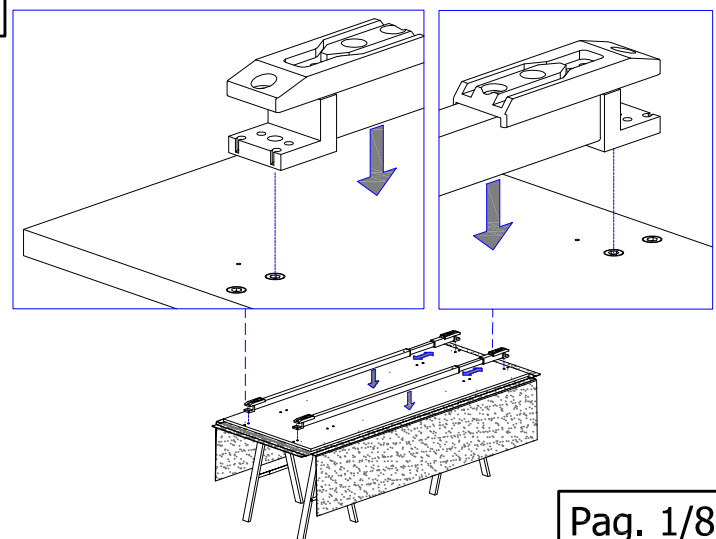
N°1



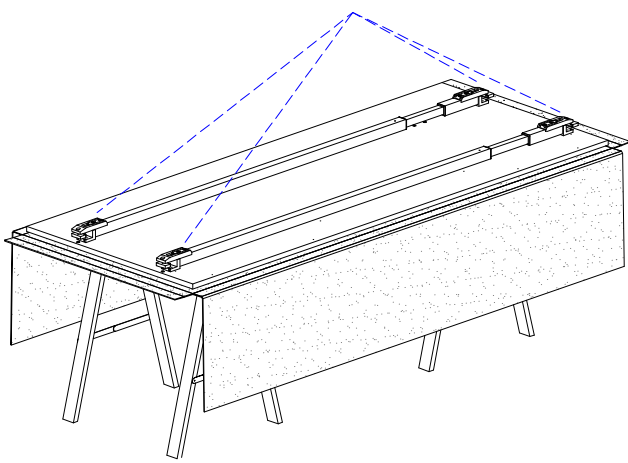
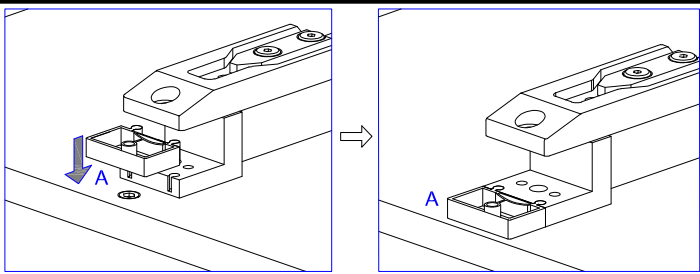
1



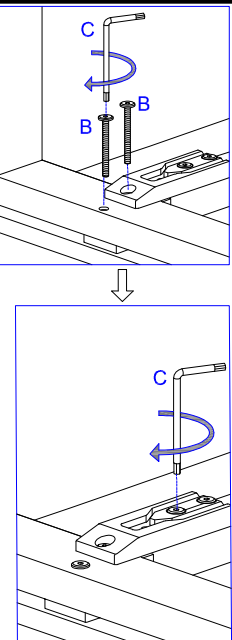
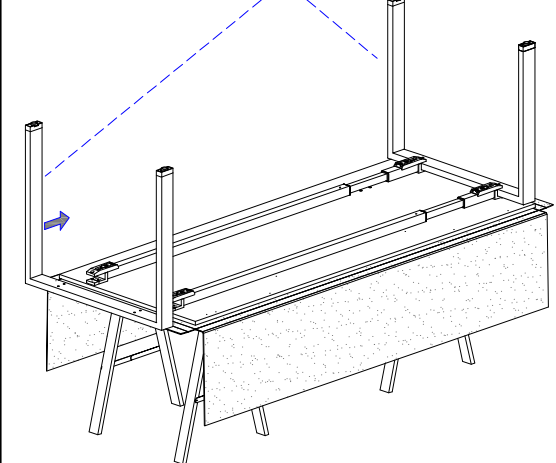
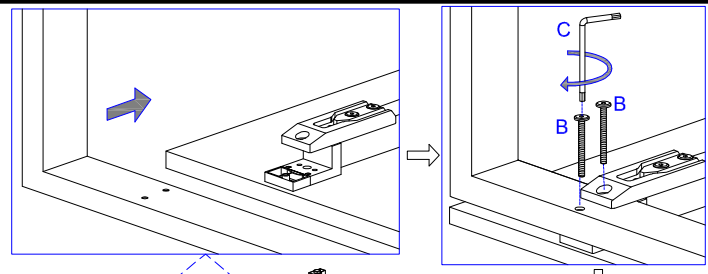
2



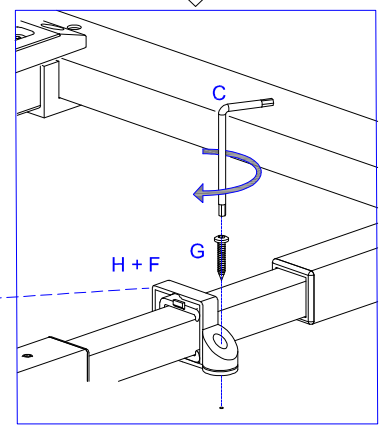
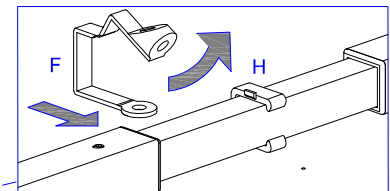
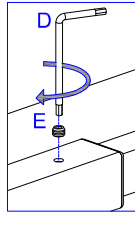
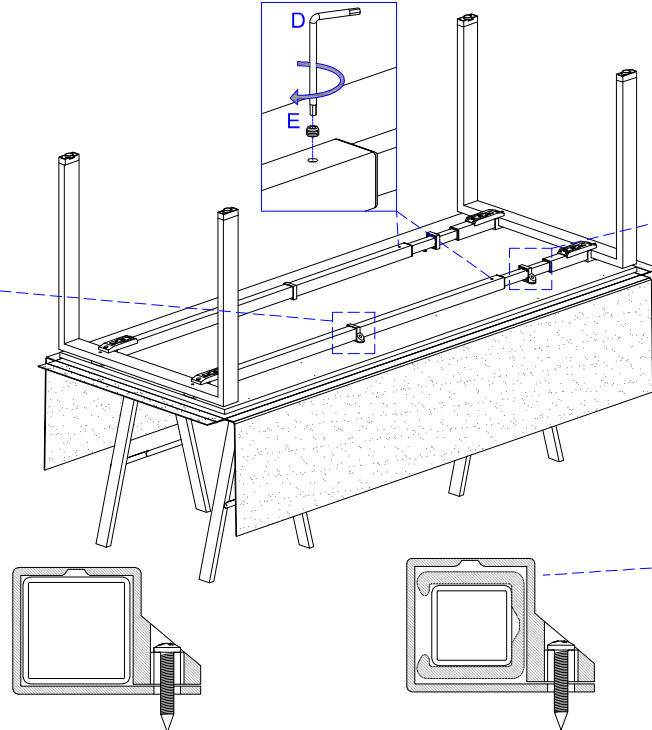
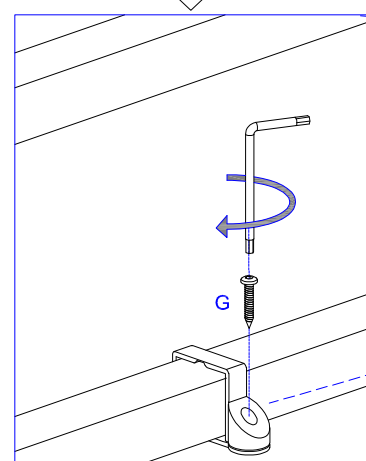
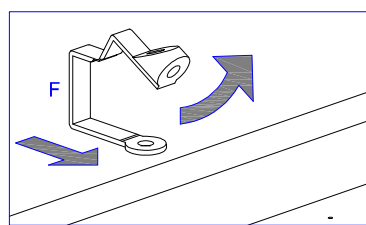
3



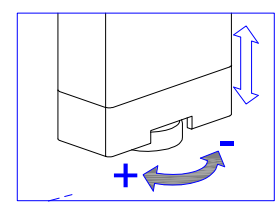
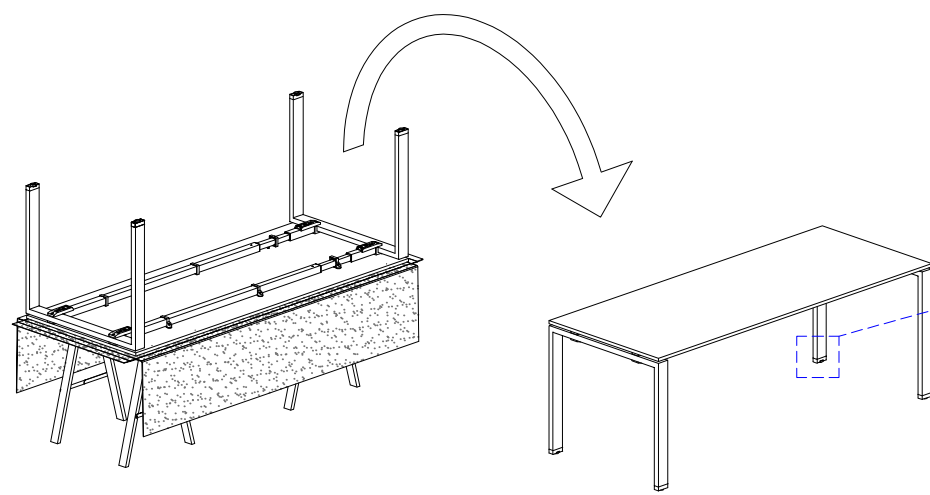
4



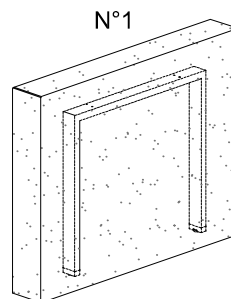
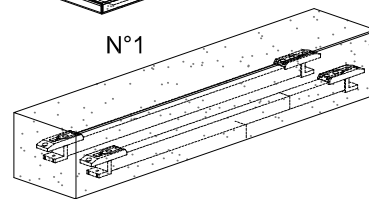
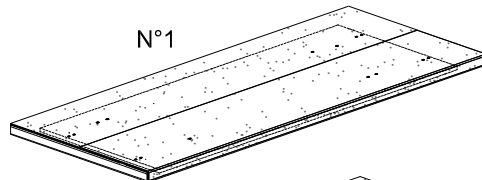
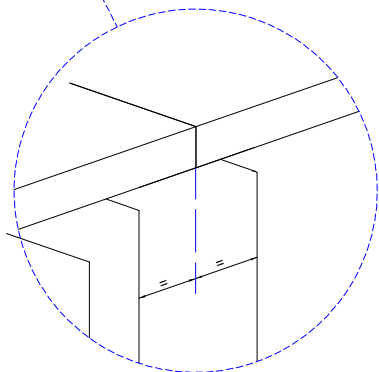
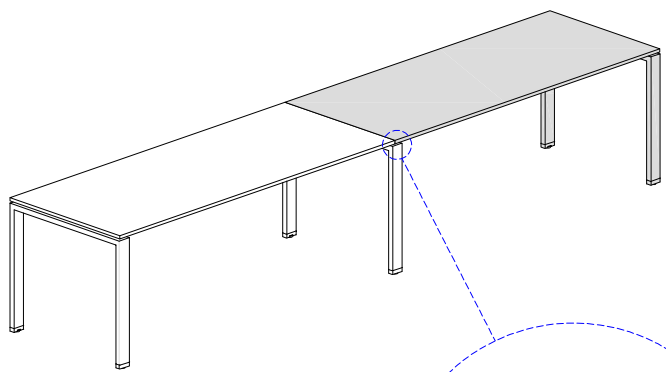
5



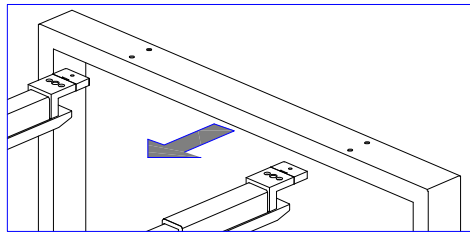
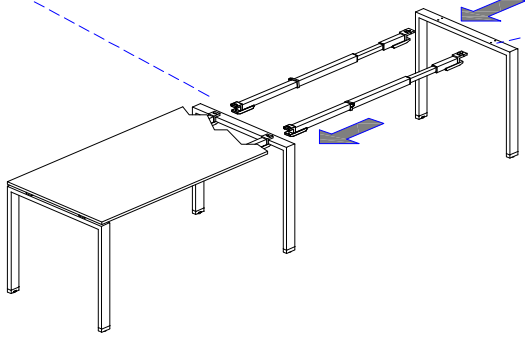
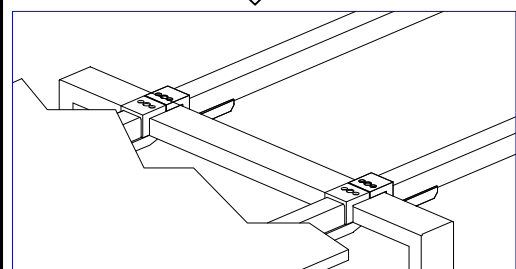
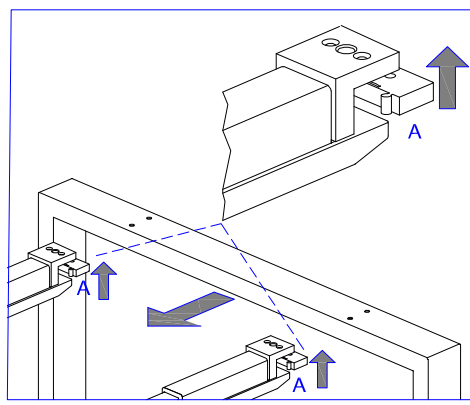
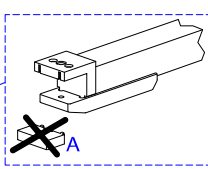
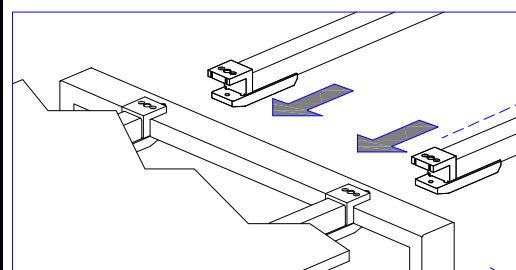
6



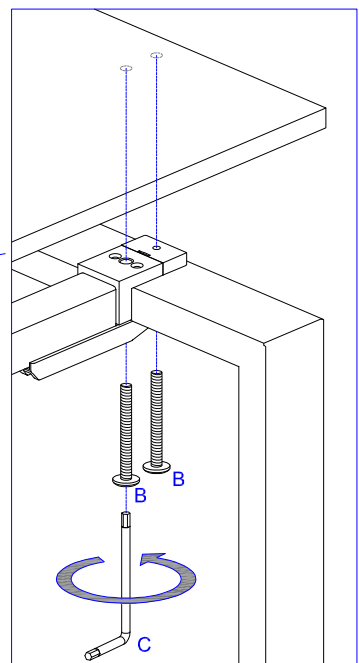
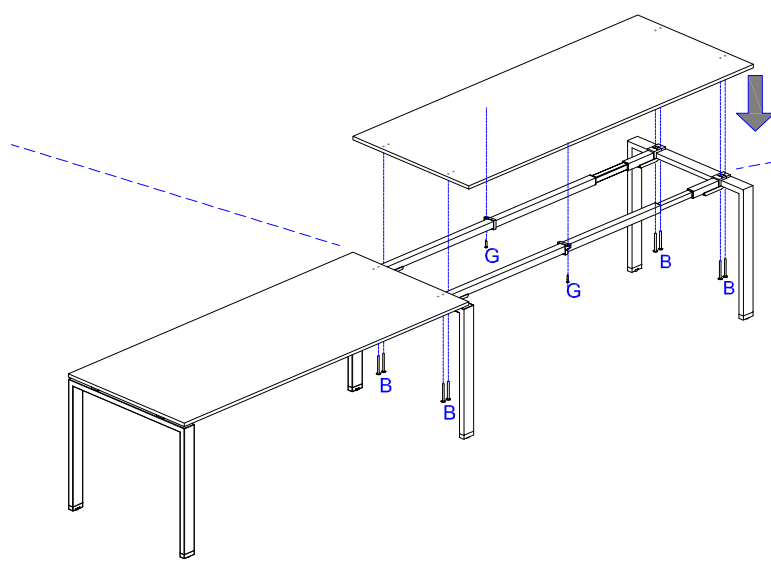
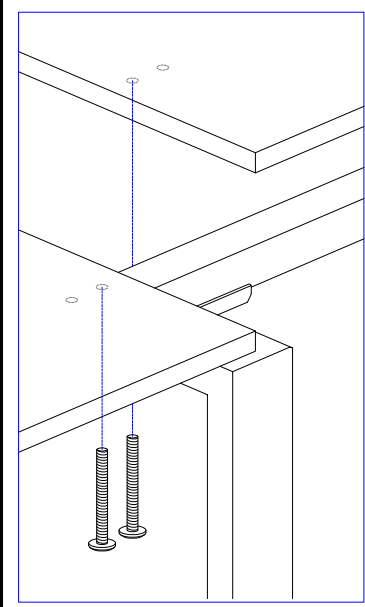
AGGREGATION DESK



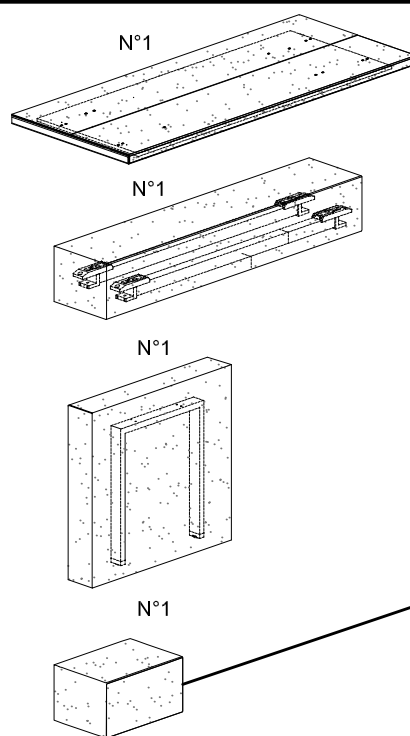
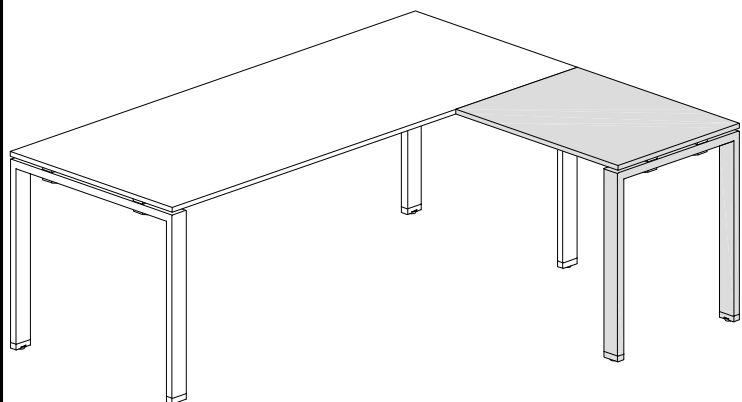
1



2



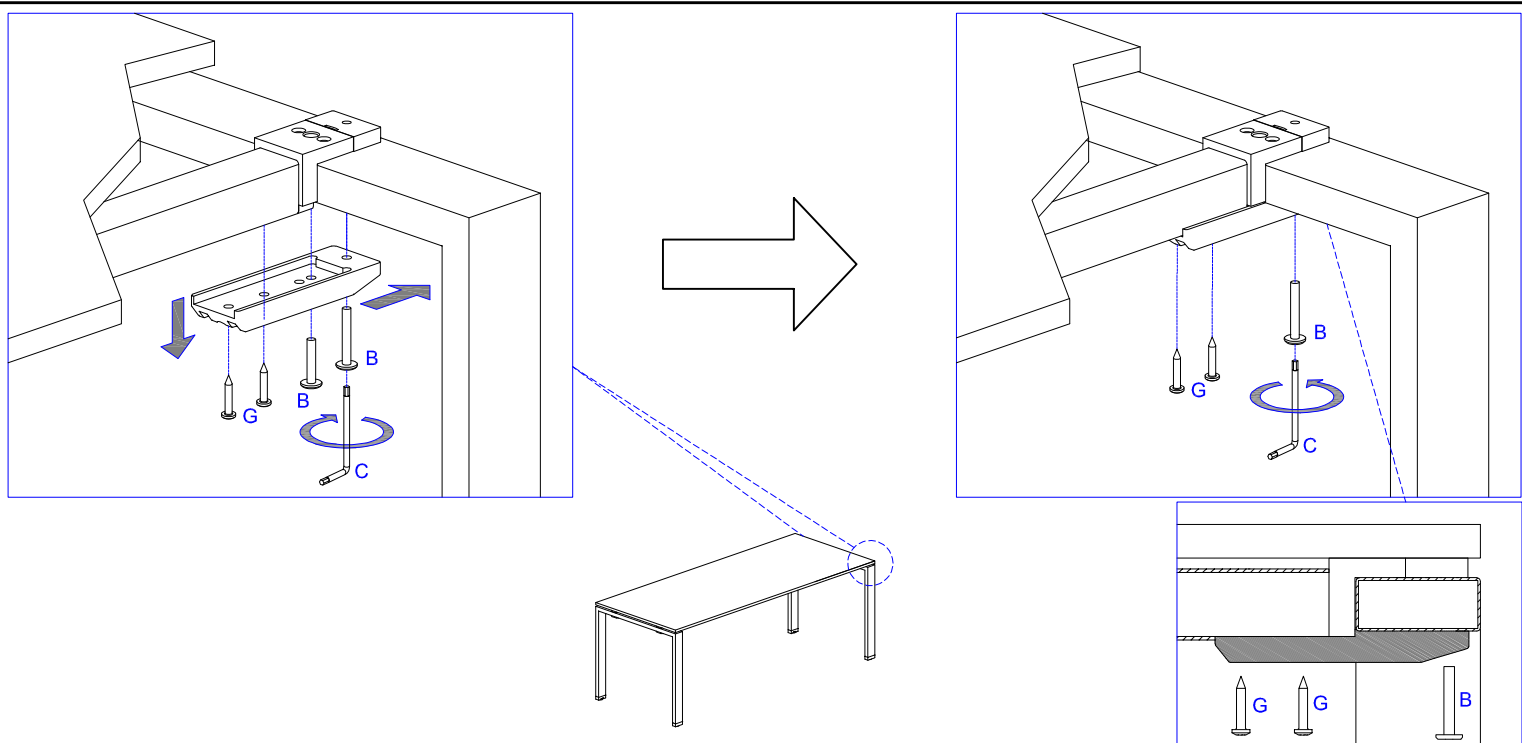
RETURN DESK



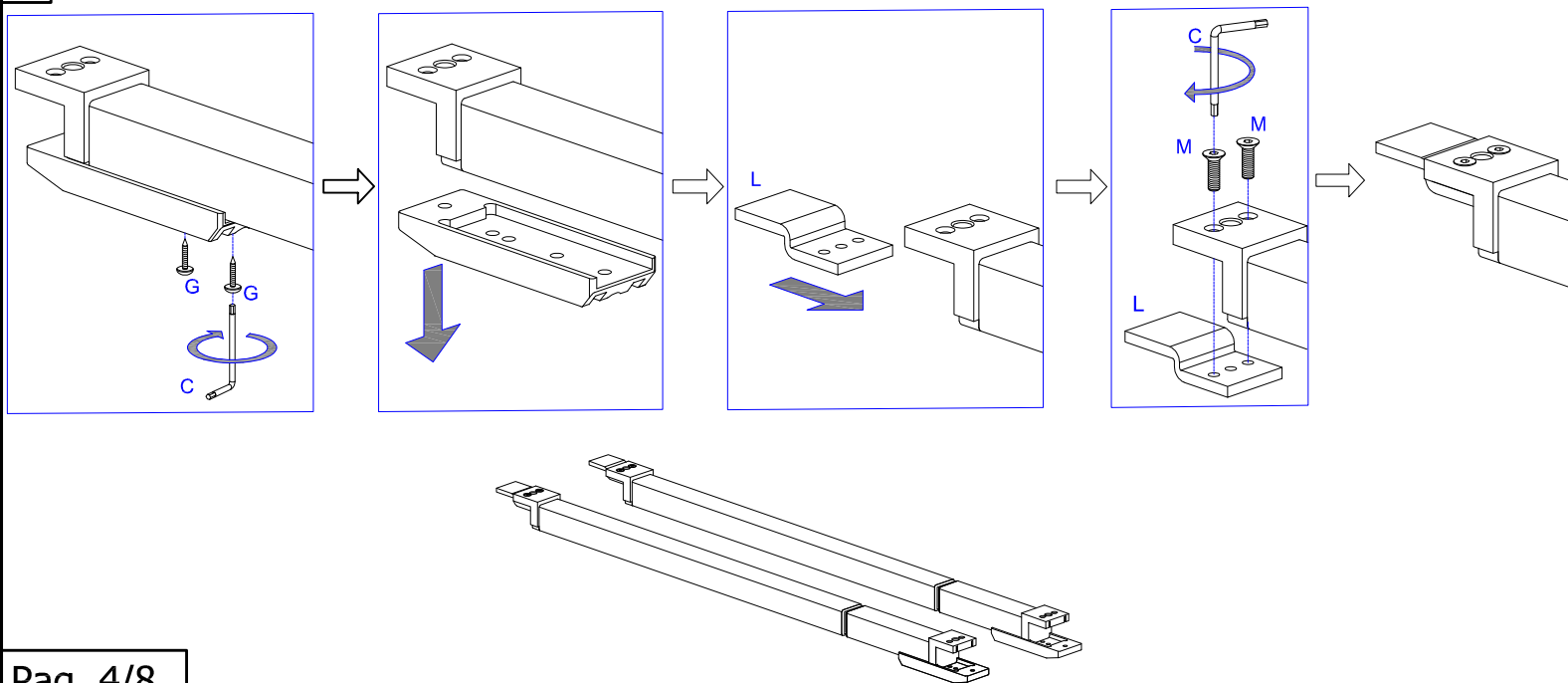
CHECK LIST

7YST00602		
F		4
G		5
L		2
M		5
N		5
O		2

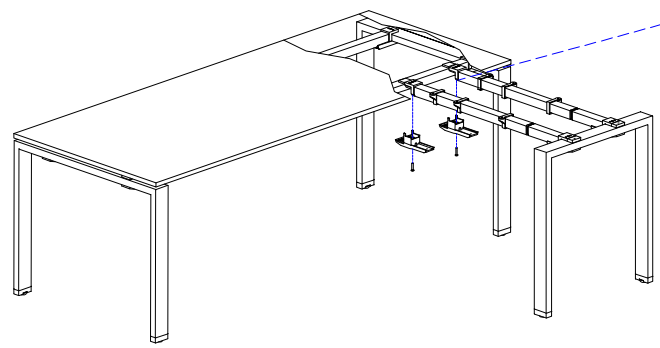
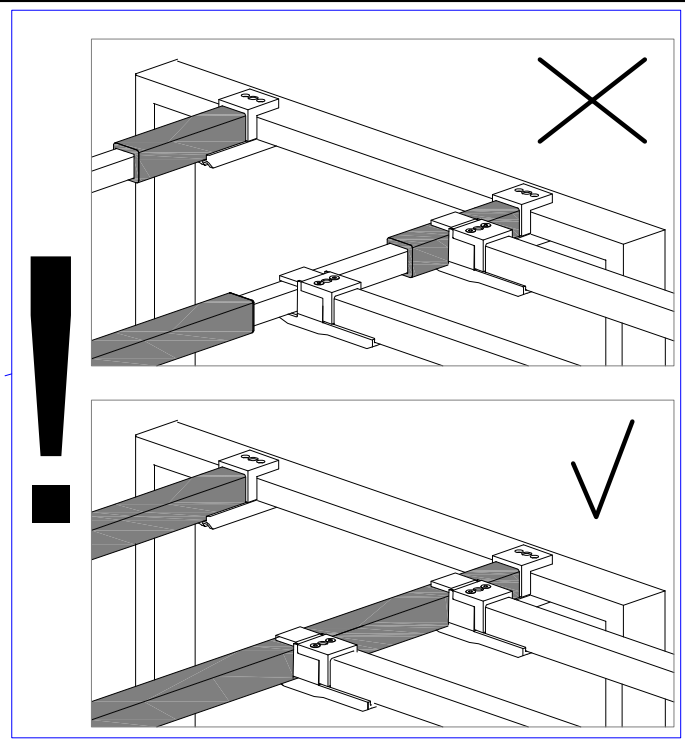
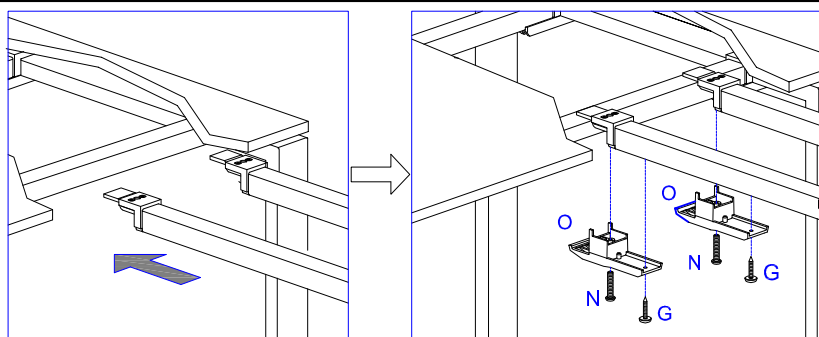
1



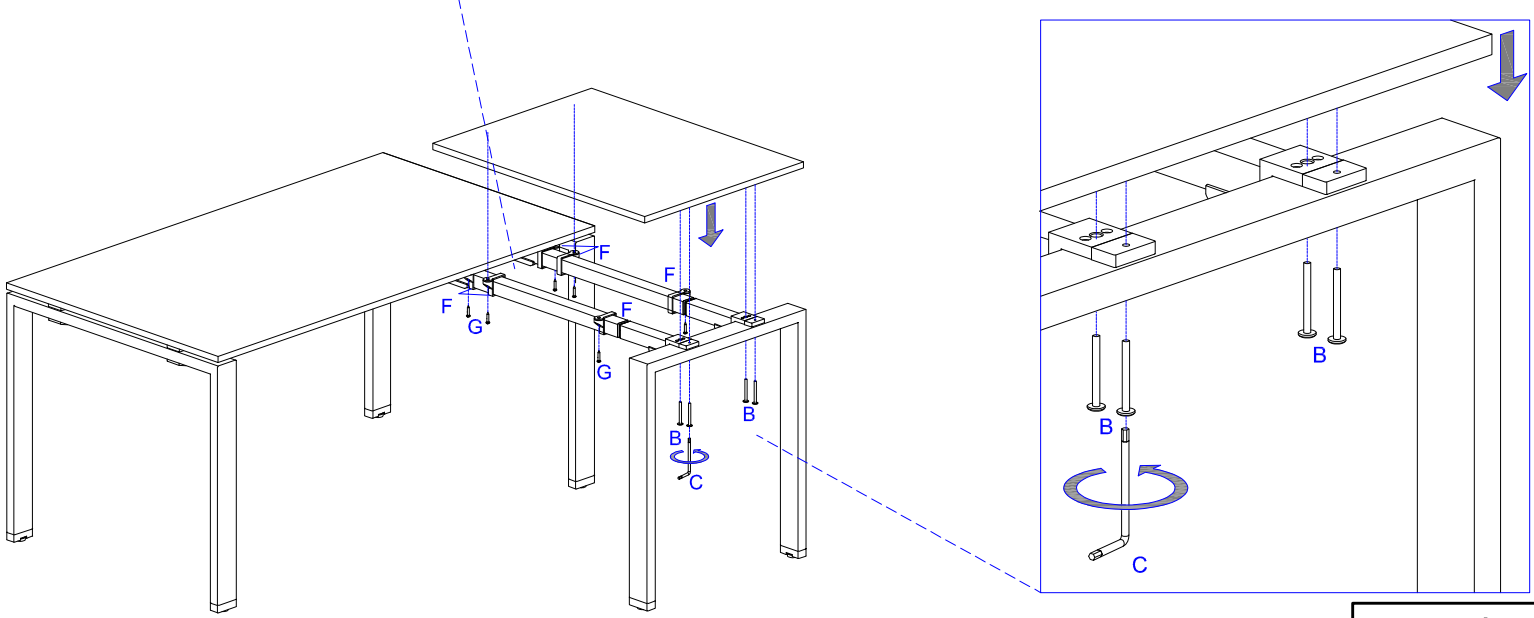
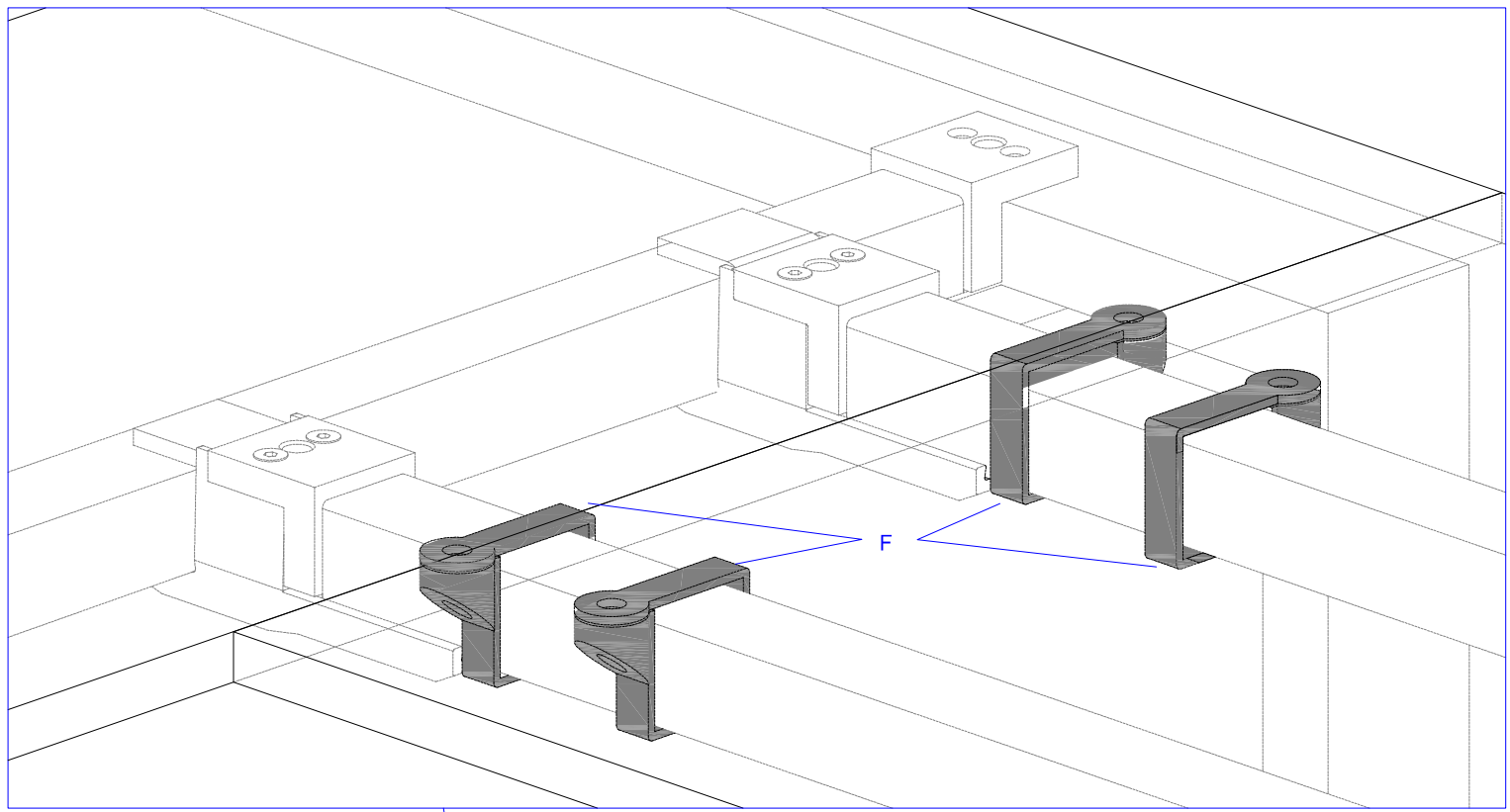
2



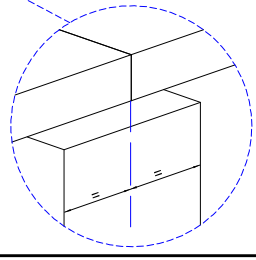
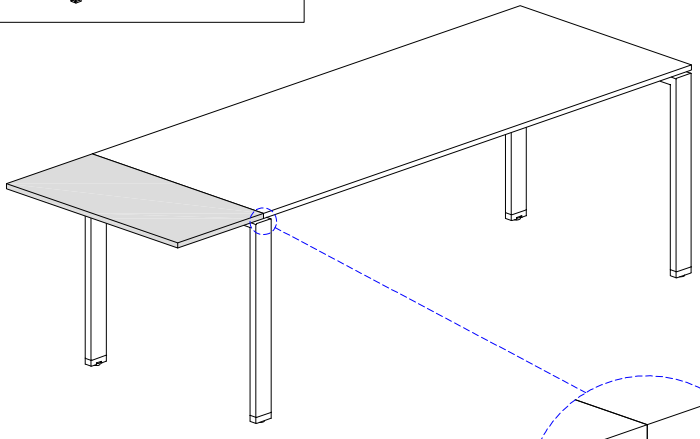
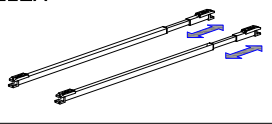
3



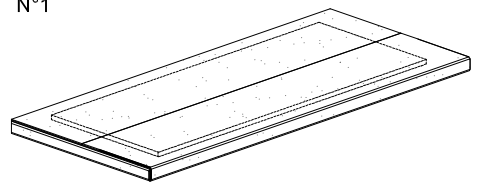
4



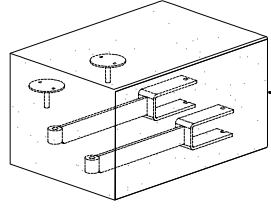
END ELEMENT



N°1



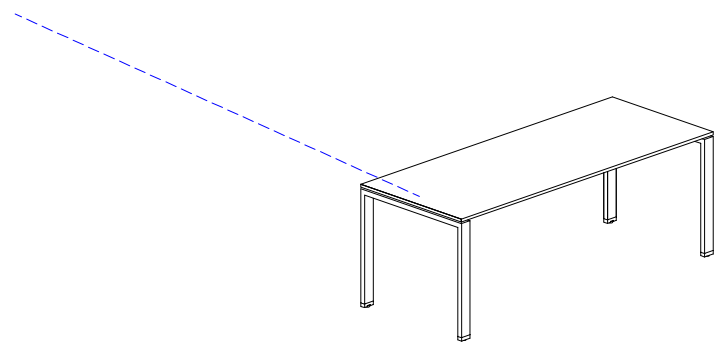
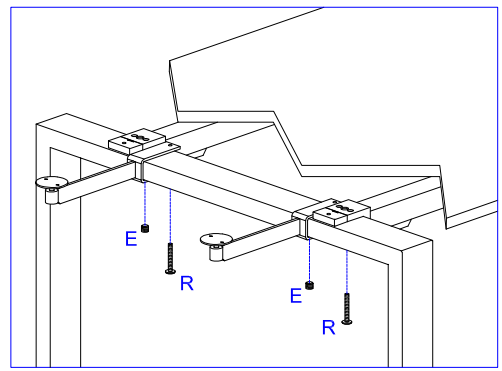
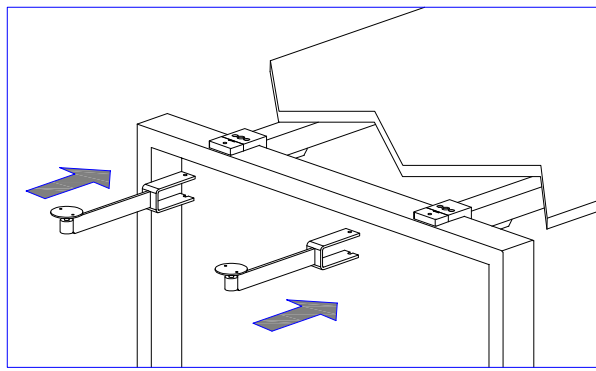
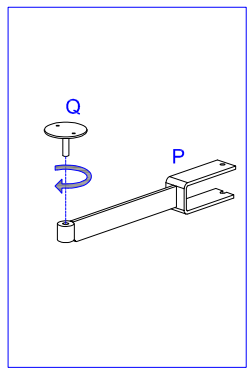
N°2



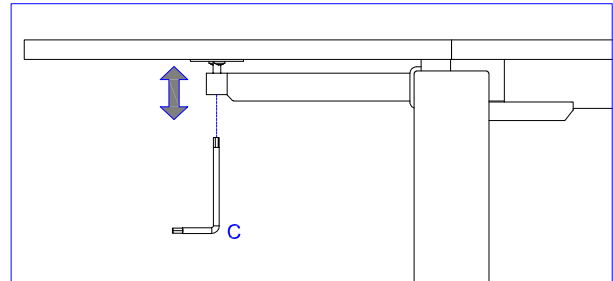
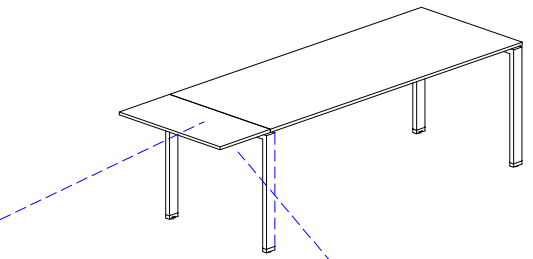
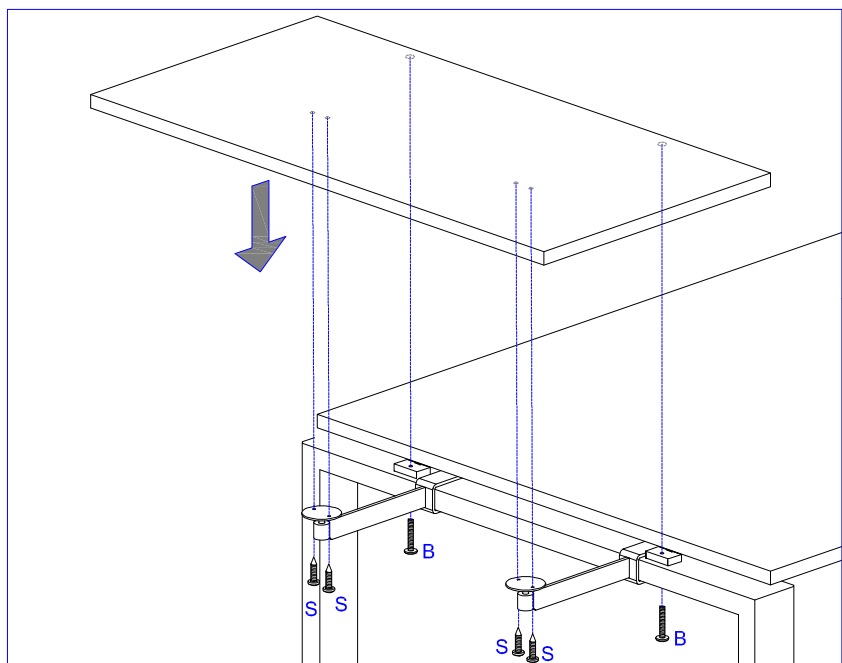
CHECK LIST

7YST00201		
P		1
Q		1
R		1
S		2
E		1

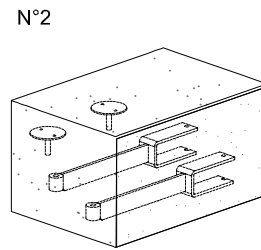
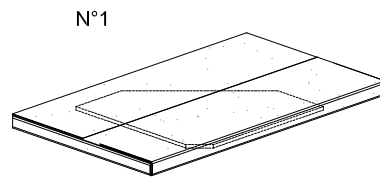
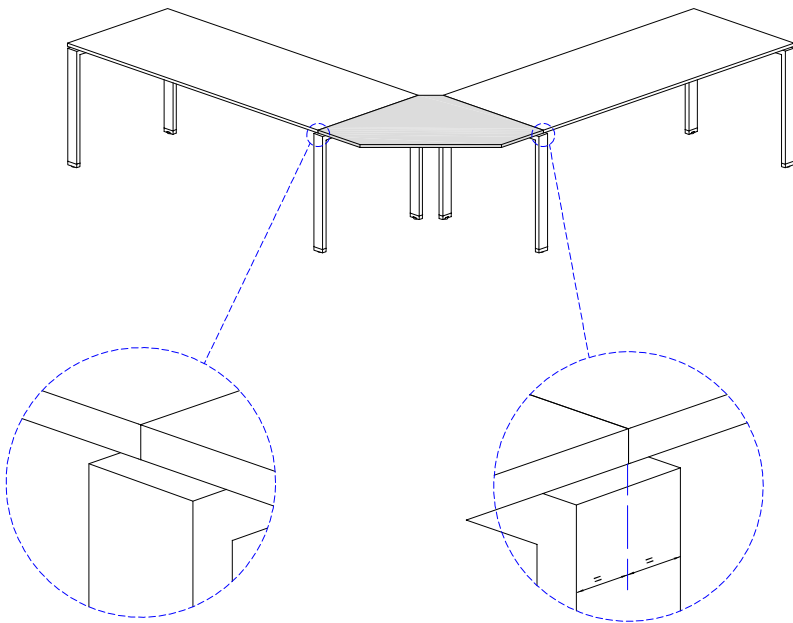
1



2



2 WAY 90° CONECTOR

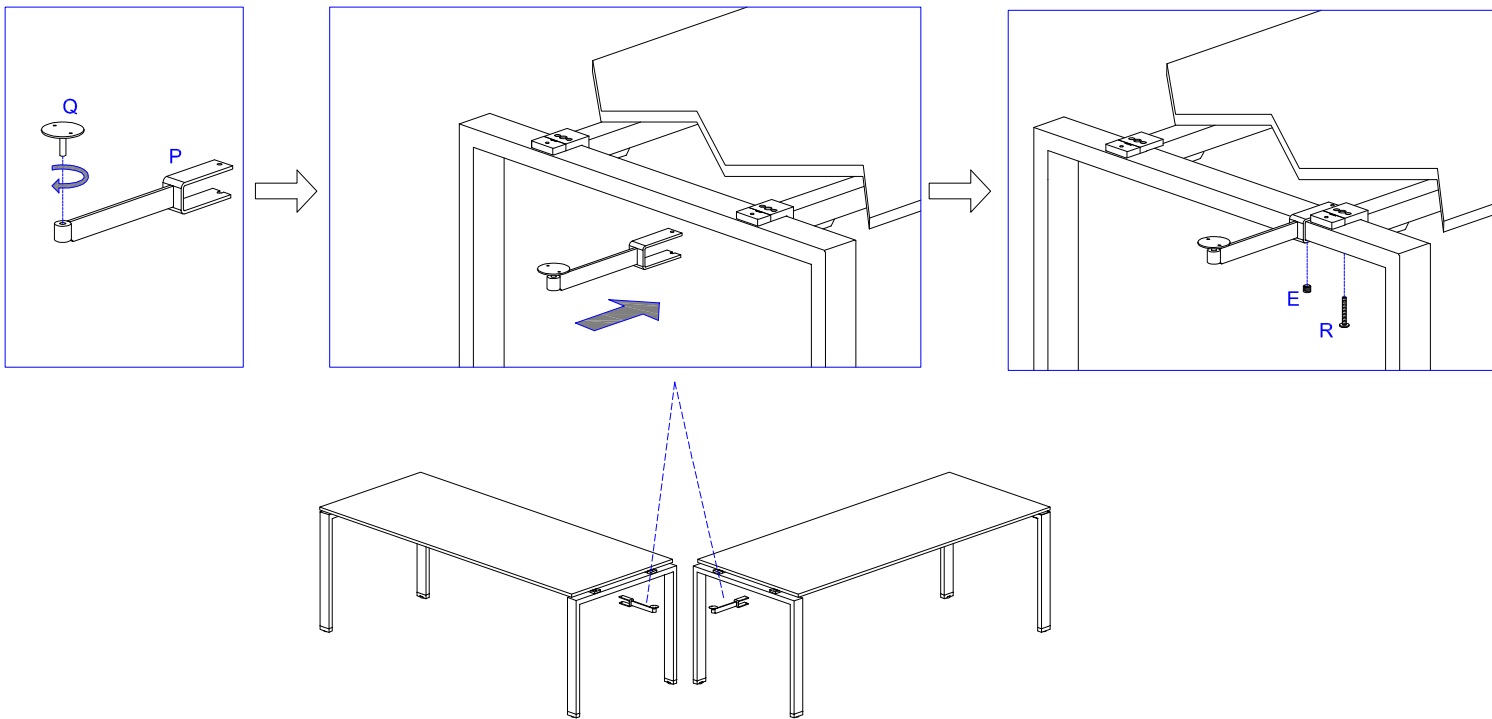


CHECK LIST

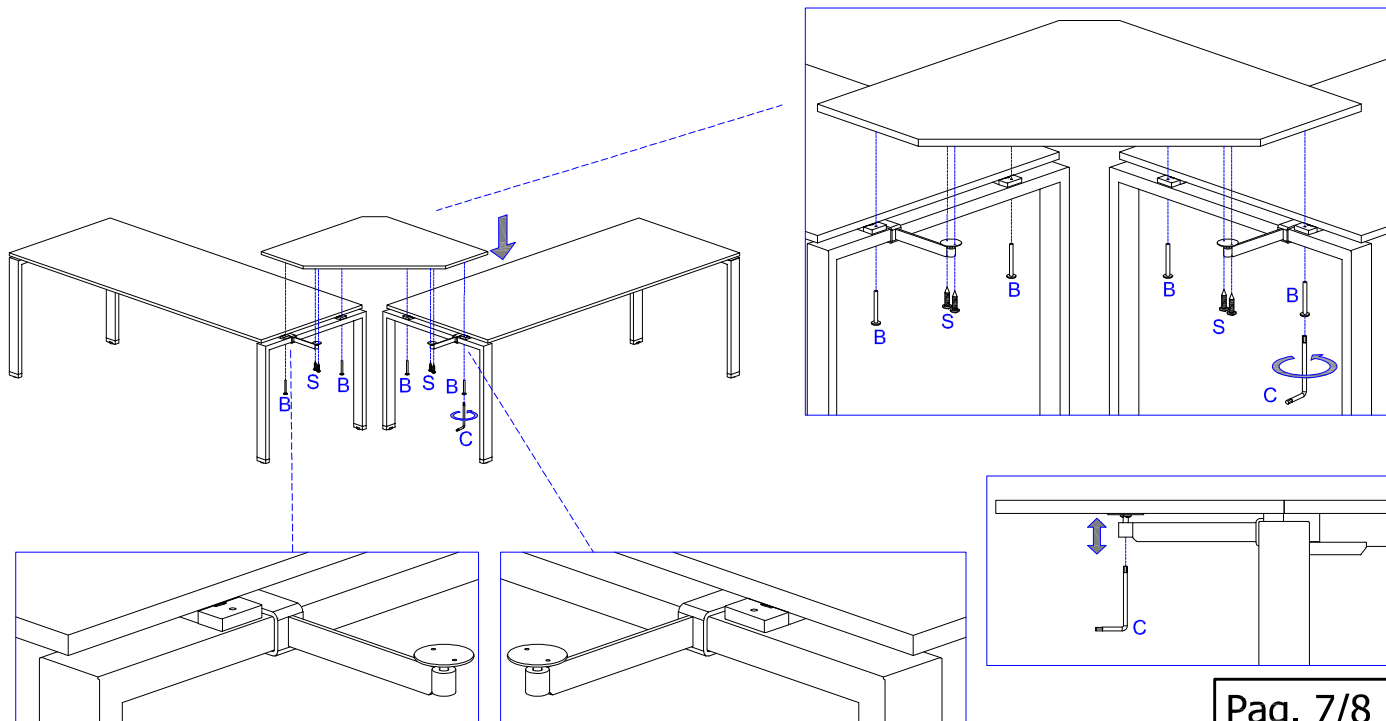
7YST00201

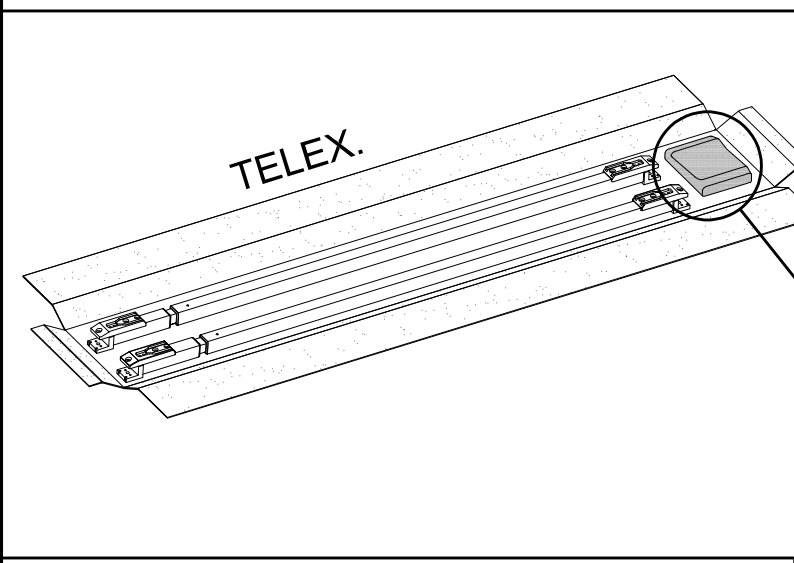
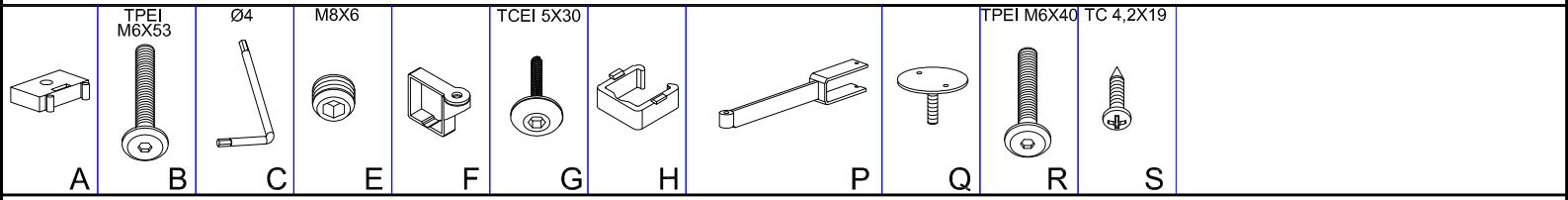
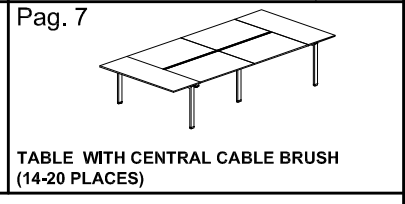
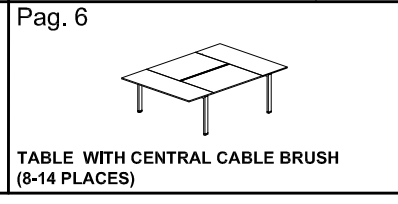
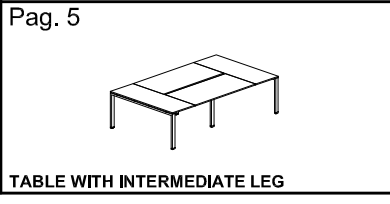
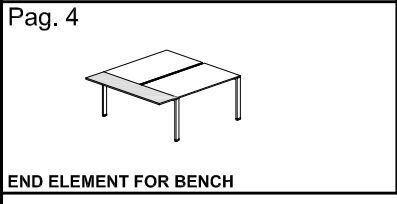
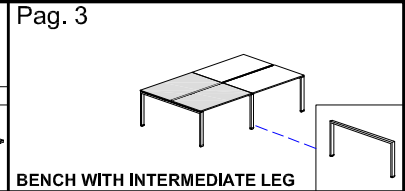
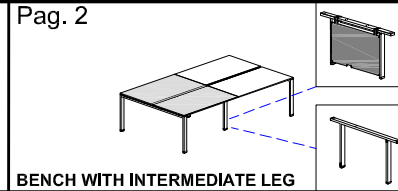
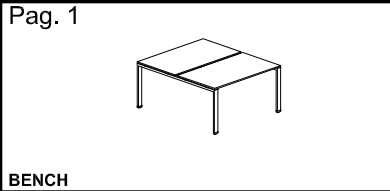
P		1
Q		1
R		1
S		2
E		1

1



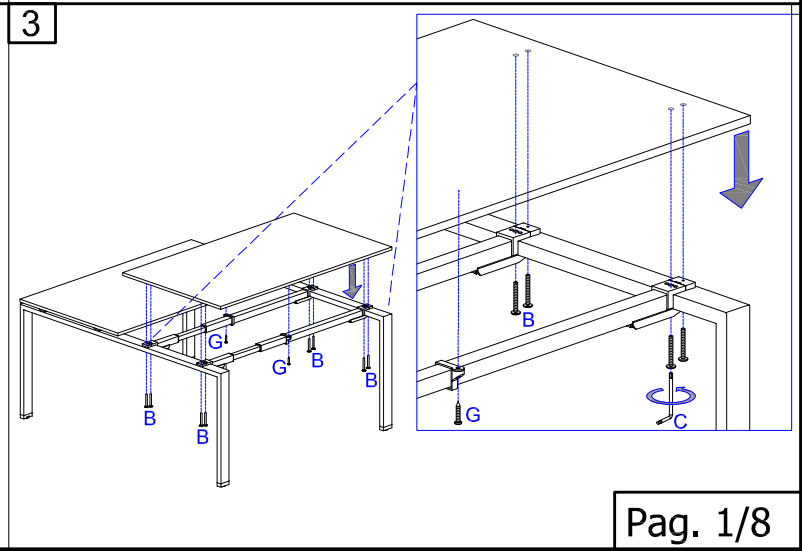
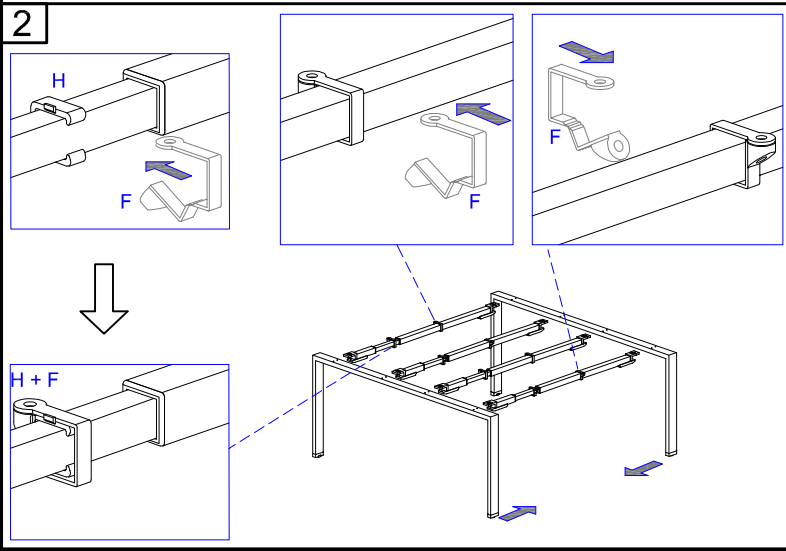
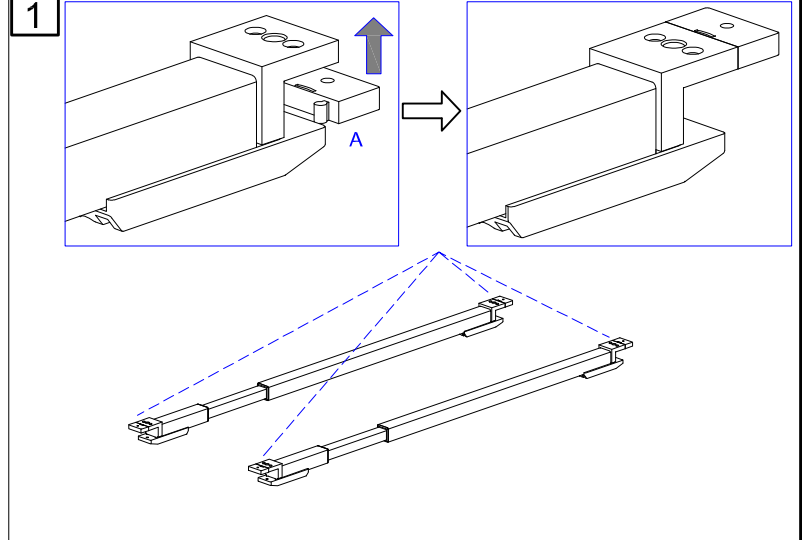
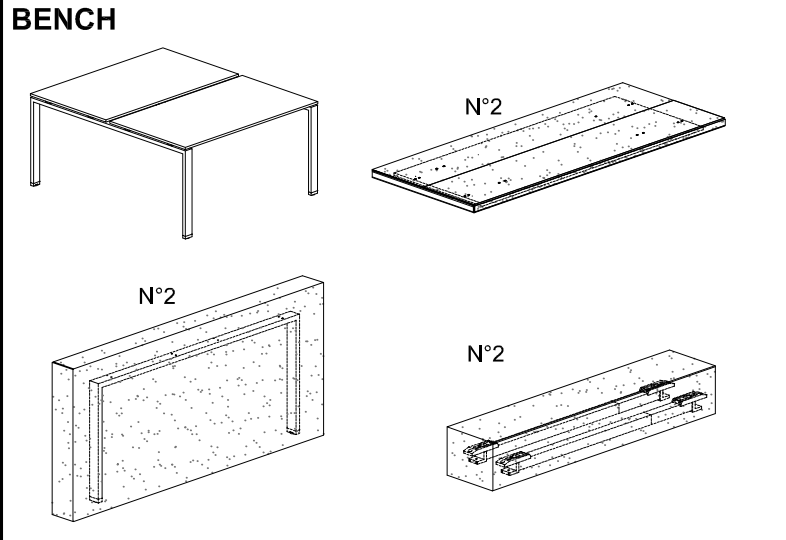
2



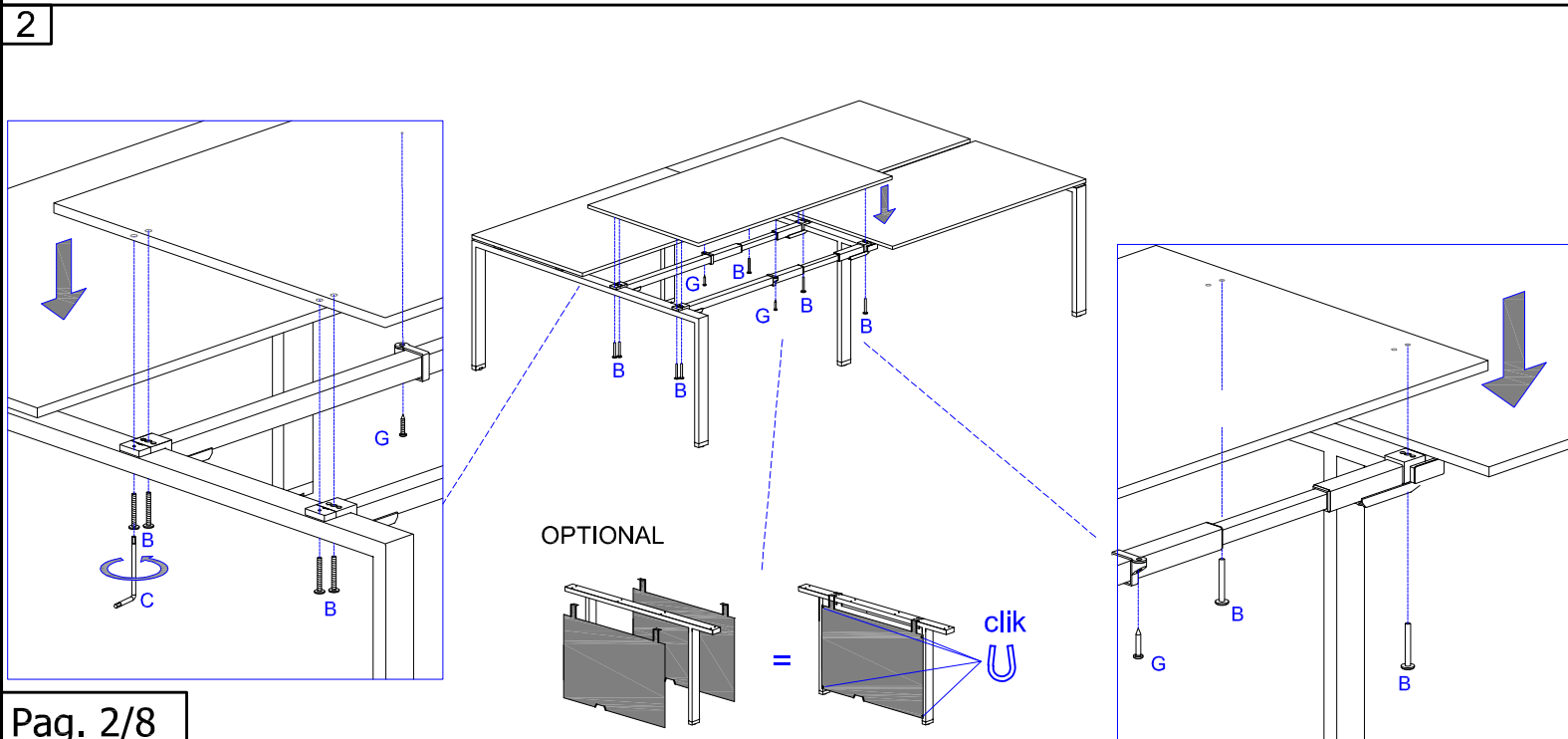
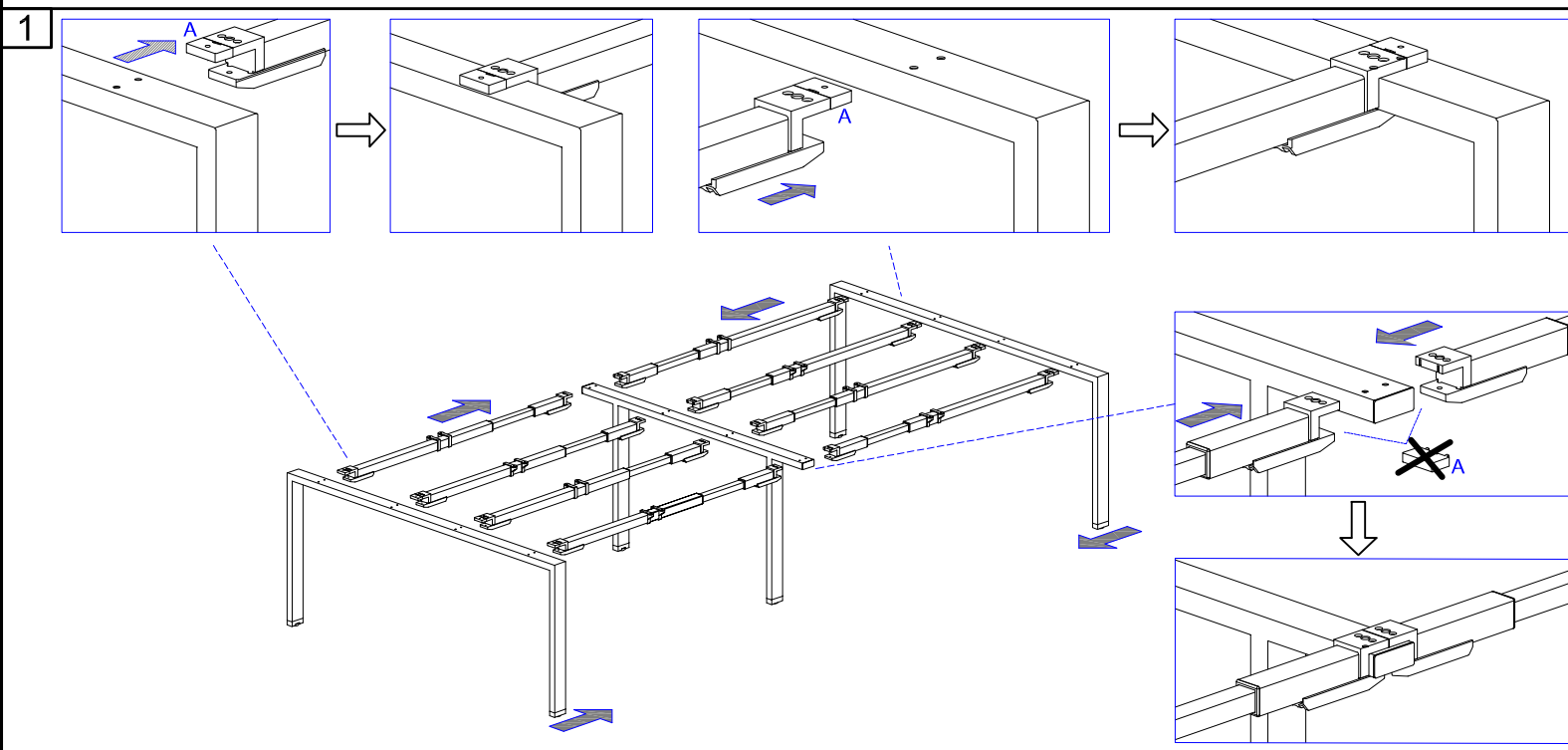
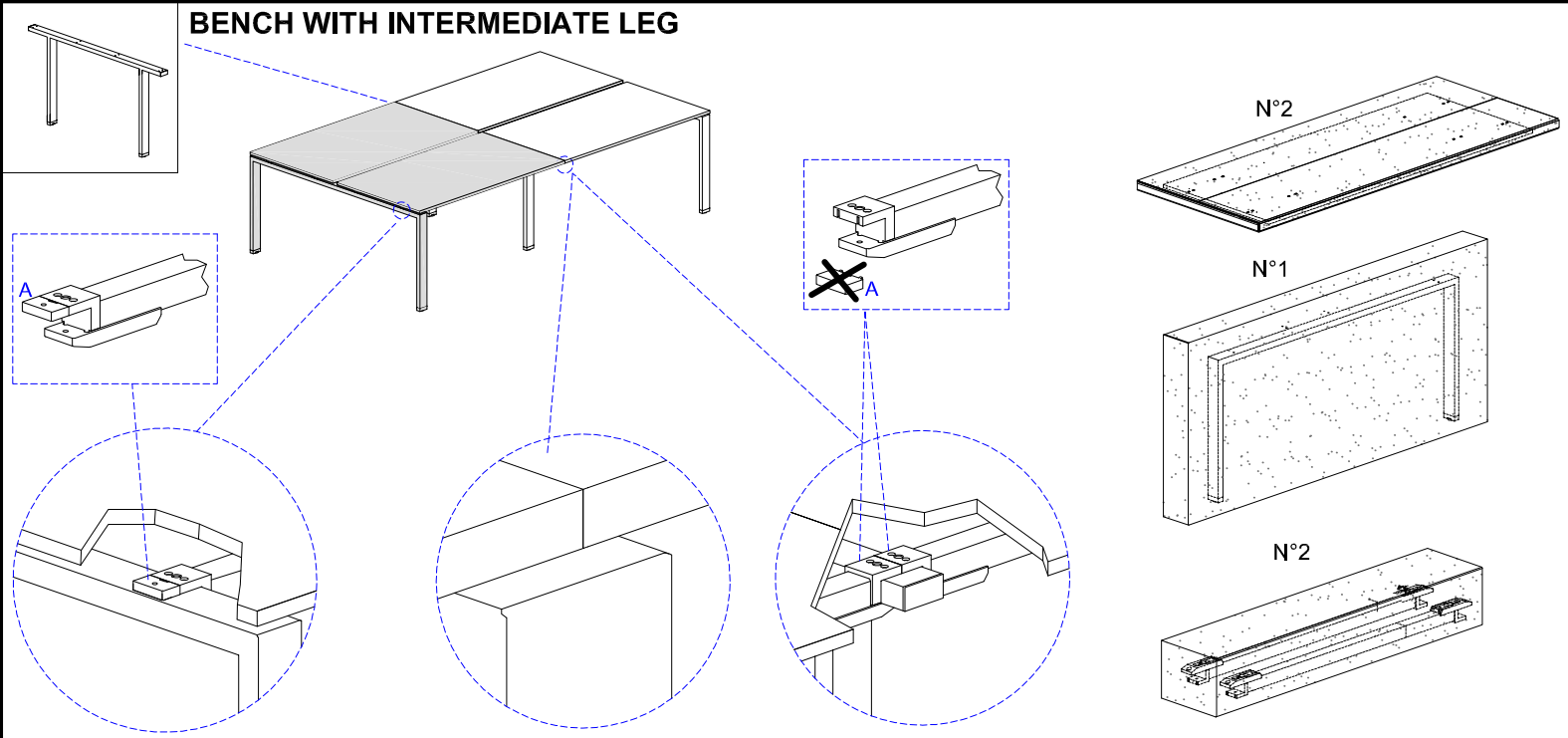


CHECK LIST

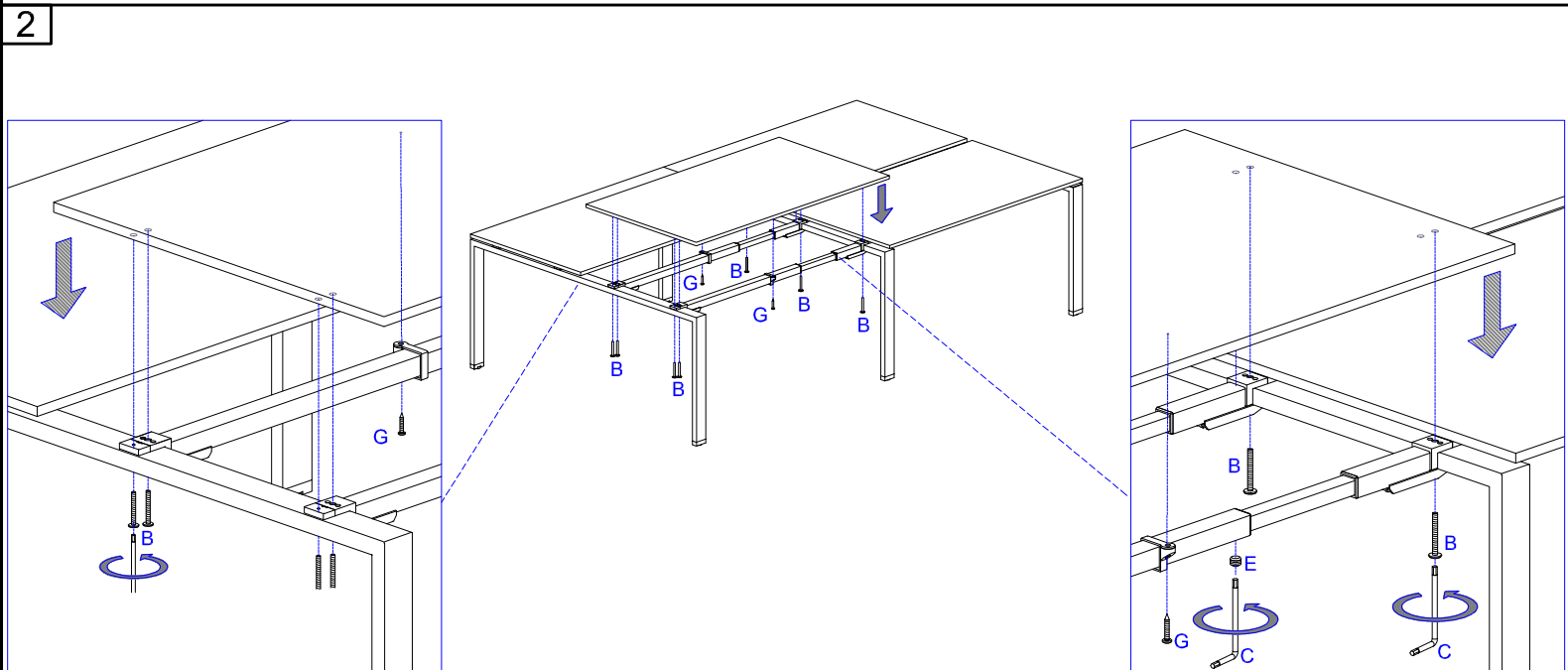
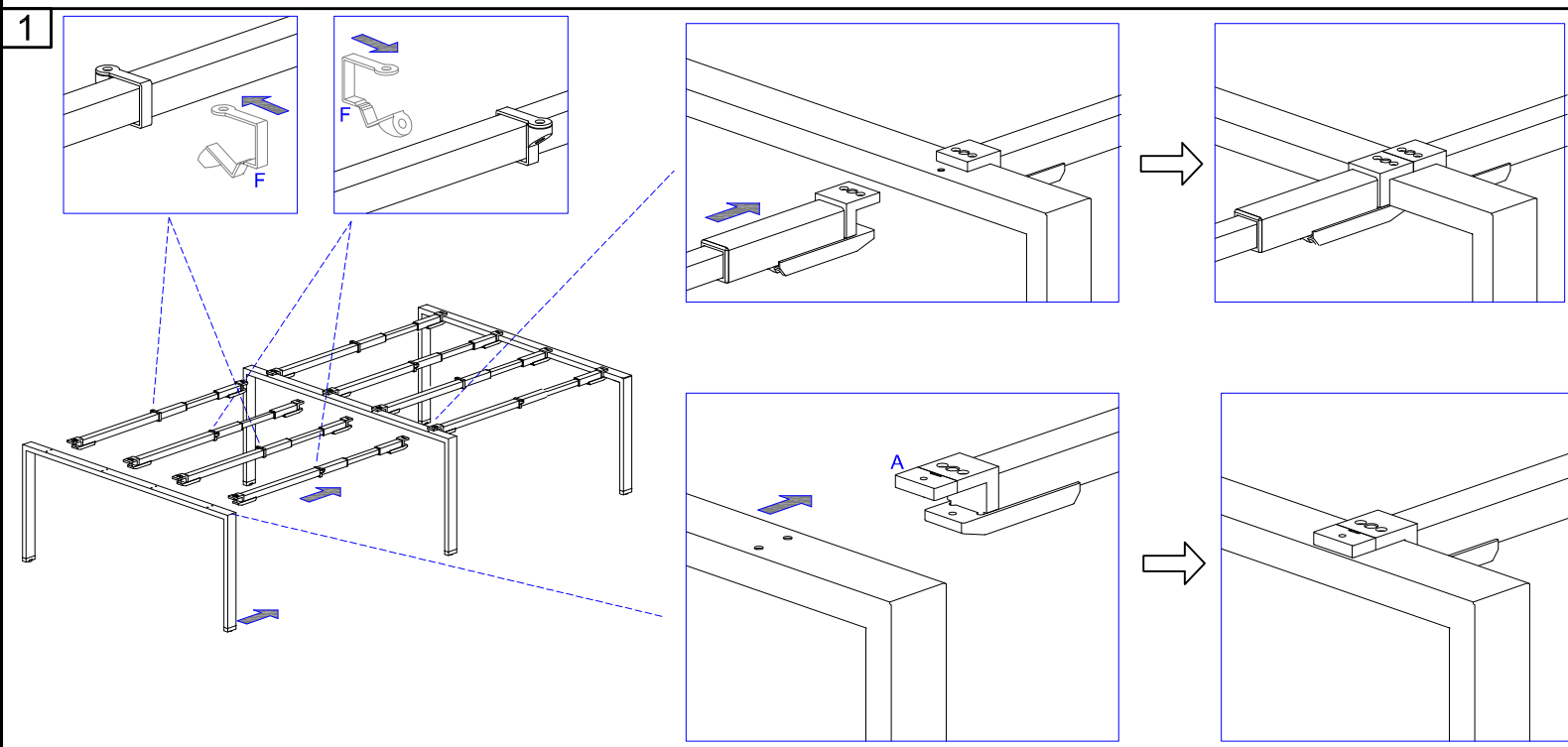
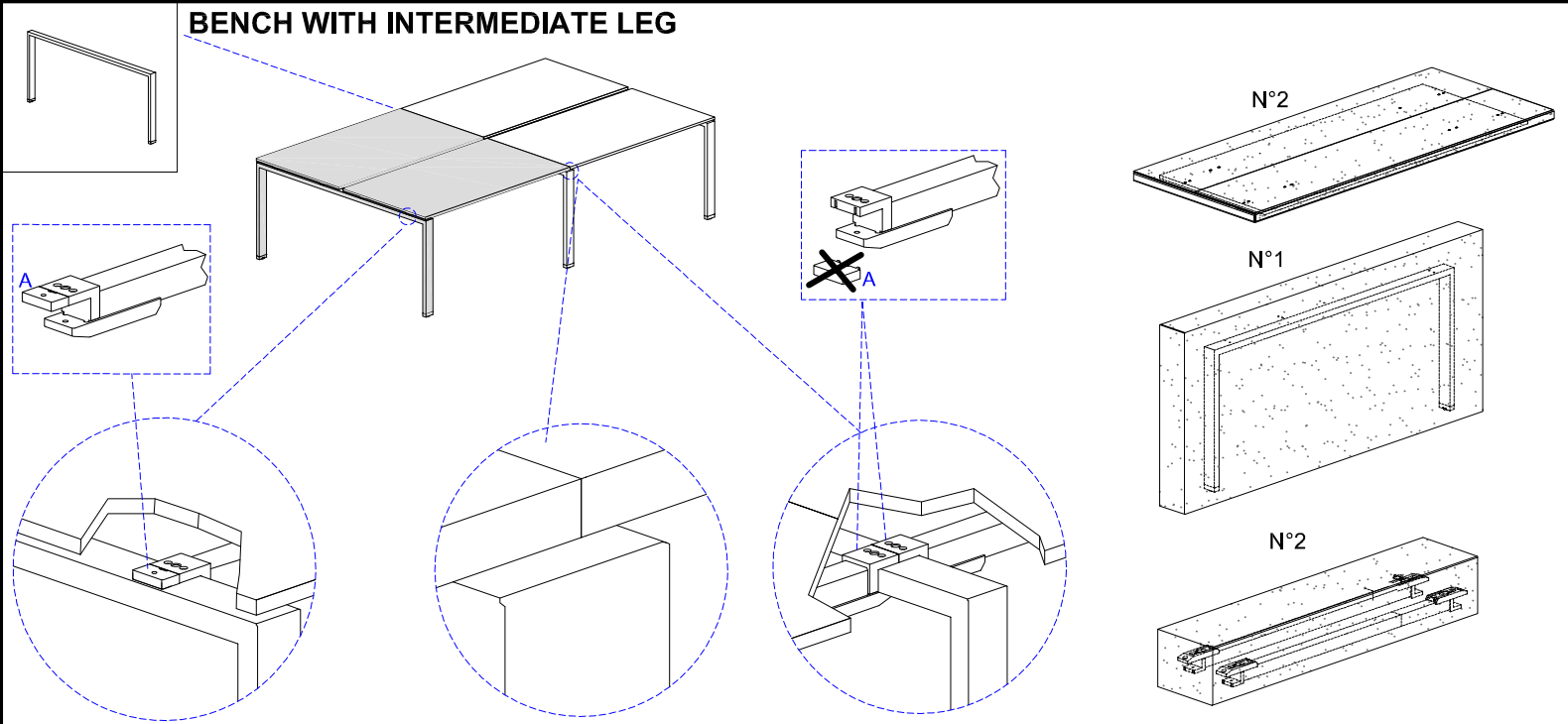
	TELEX EX: 7TRFG1857T2_				FIX EX: 7TRFG1740F2_			
	1006	1257	1857	2457	1340	1540	1740	1940
A	4	4	4	4	4	4	4	4
C	1	1	1	1				
B	9	9	8	9	8	8	8	8
E	3	3	2	3				
F		2	2	4	2	2	2	2
G		2	2	4	2	2	2	2
H				2				



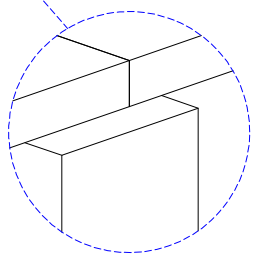
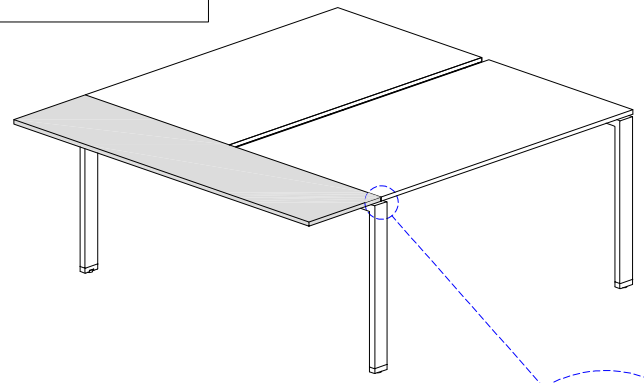
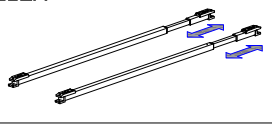
BENCH WITH INTERMEDIATE LEG



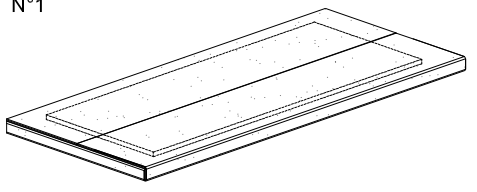
BENCH WITH INTERMEDIATE LEG



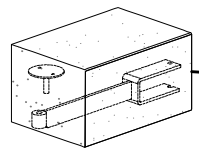
END ELEMENT FORBENCH



N°1



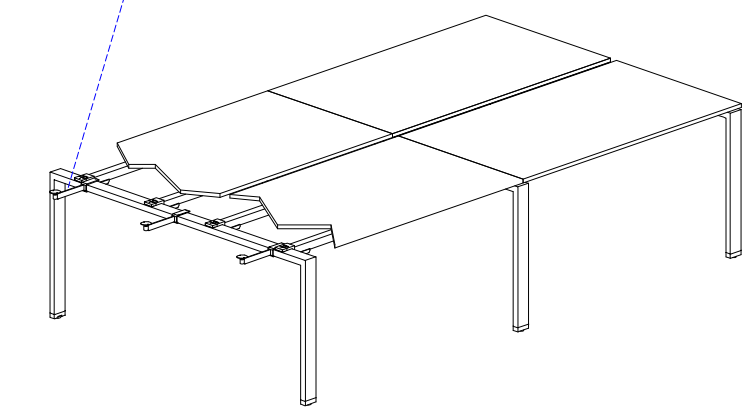
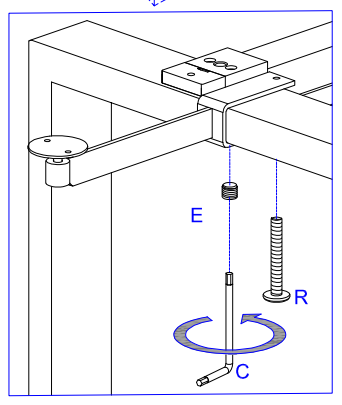
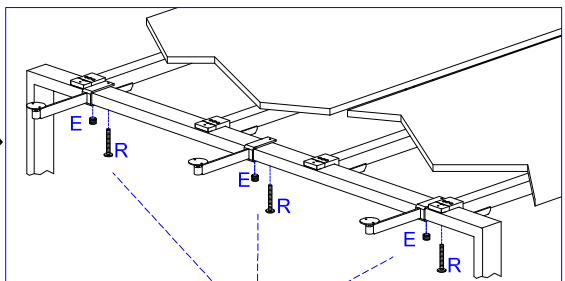
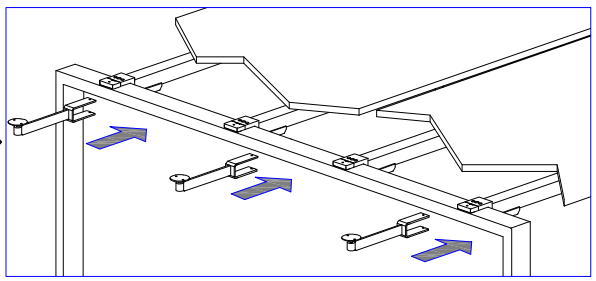
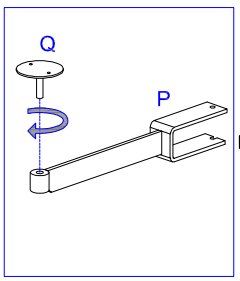
N°3



CHECK LIST

7YST00201		
P		1
Q		1
R		1
S		2
E		1

1



7

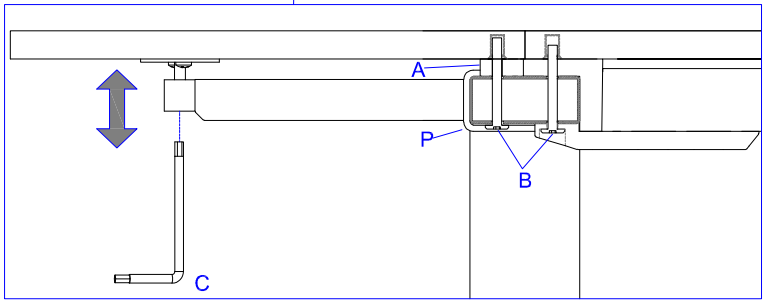
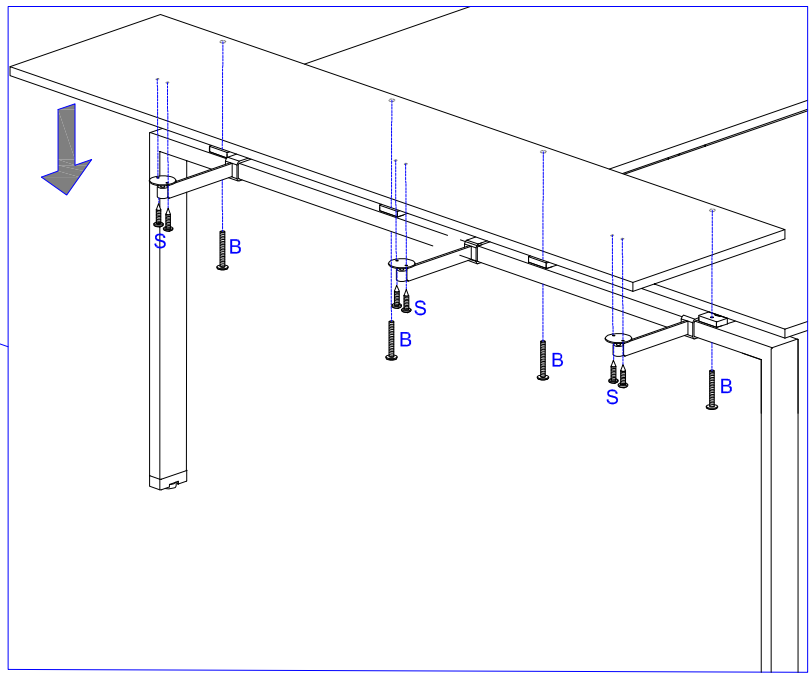
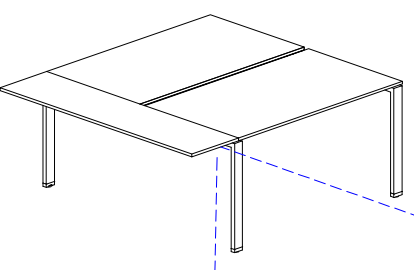
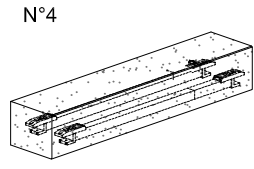
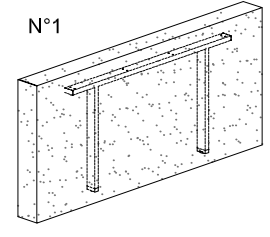
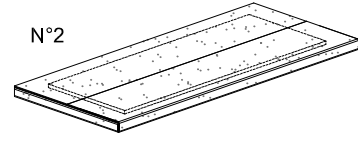
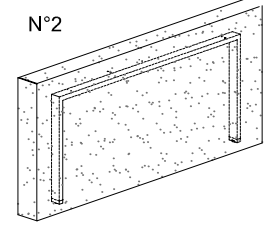
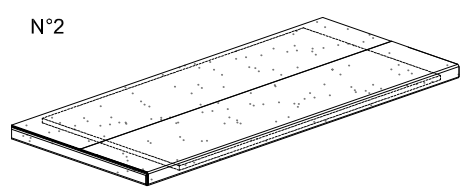
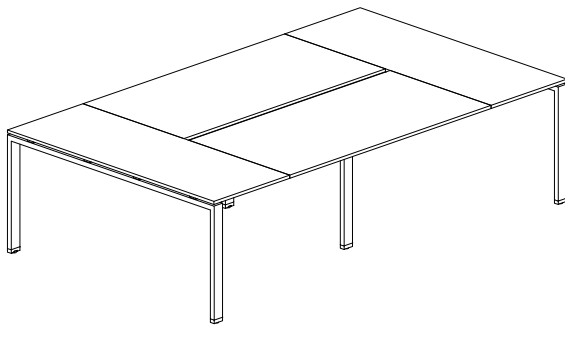


TABLE WITH INTERMEDIATE LEG

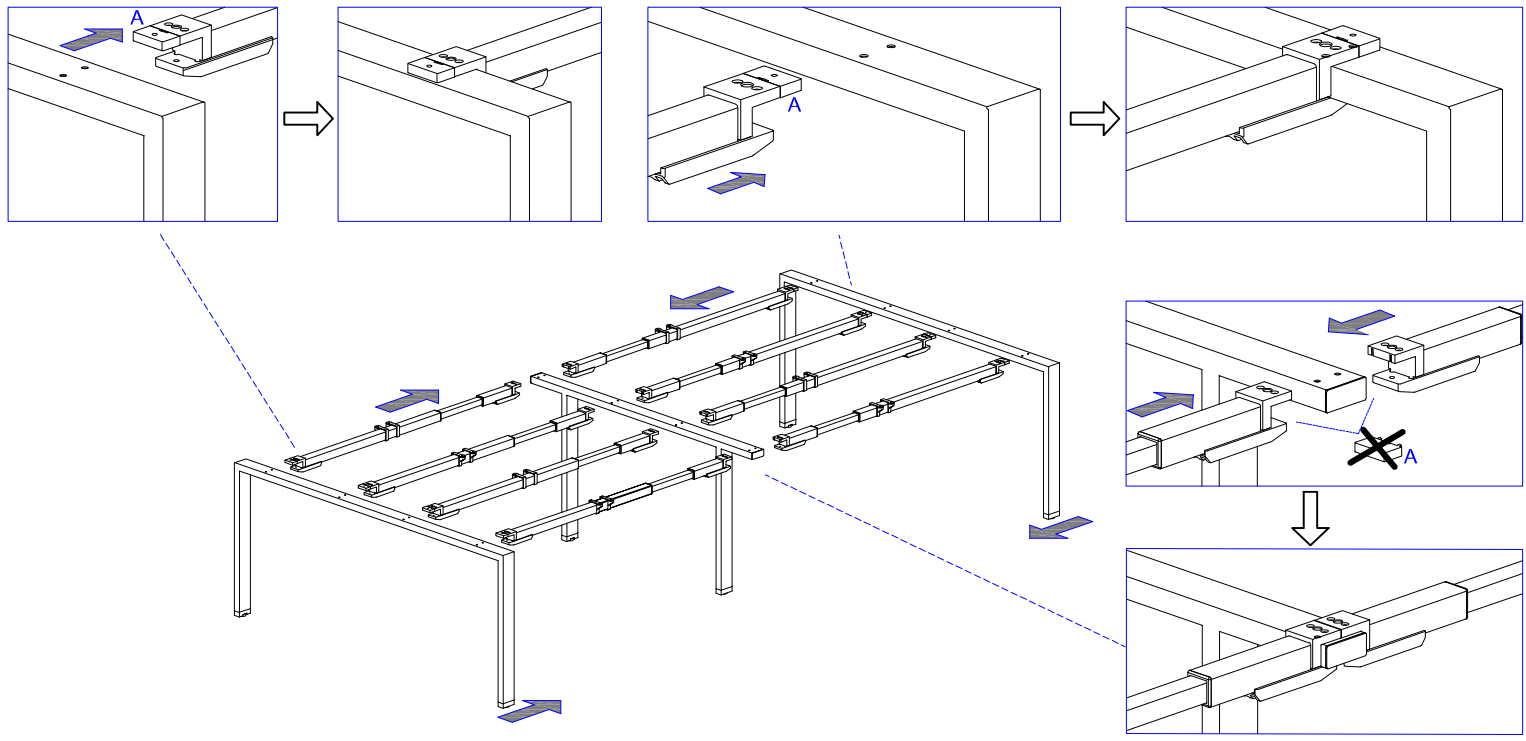


CHECK LIST

7FETA02000

F		4
G		4

1



2

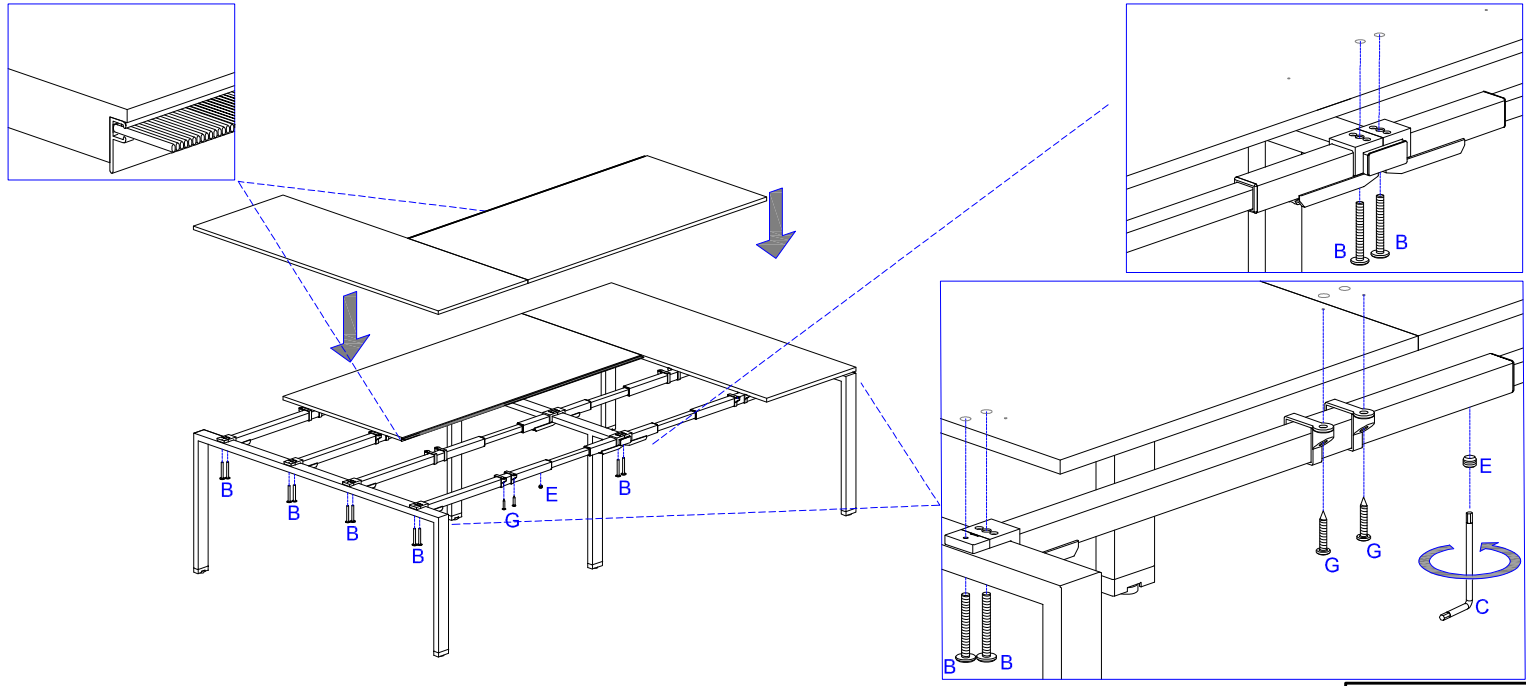
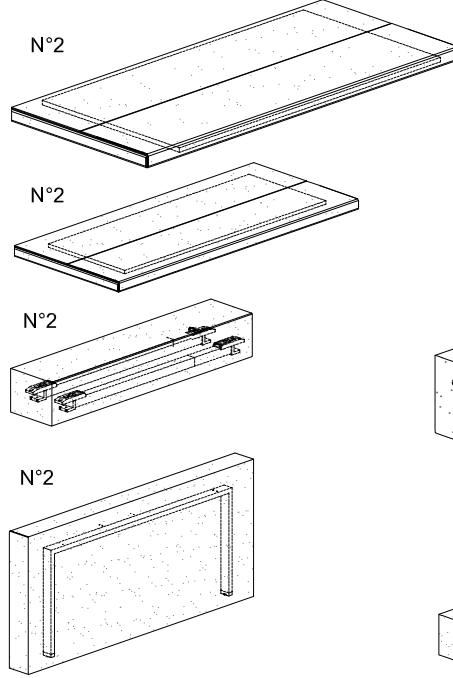
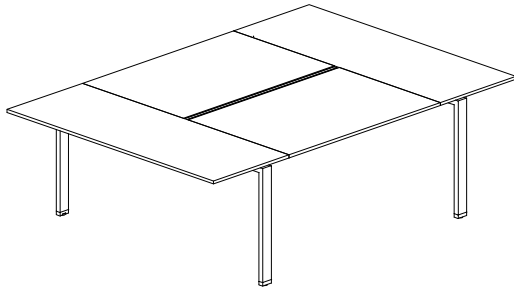


TABLE WITH CENTRAL CABLE BRUSH (8-14 PLACES)



CHECK LIST

7YST00201

P		1
Q		1
R		1
S		2
E		1

CHECK LIST

7FETA02000

F		4
G		4

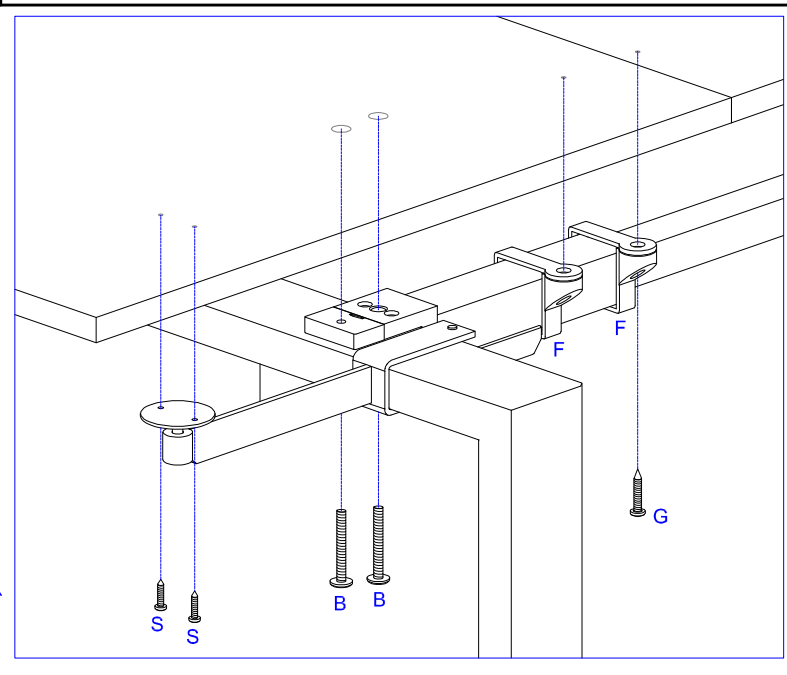
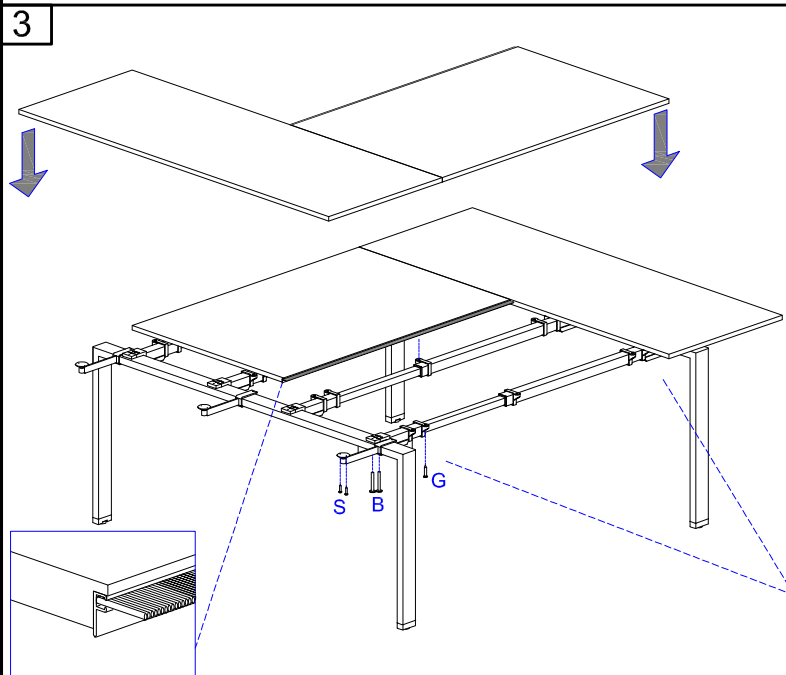
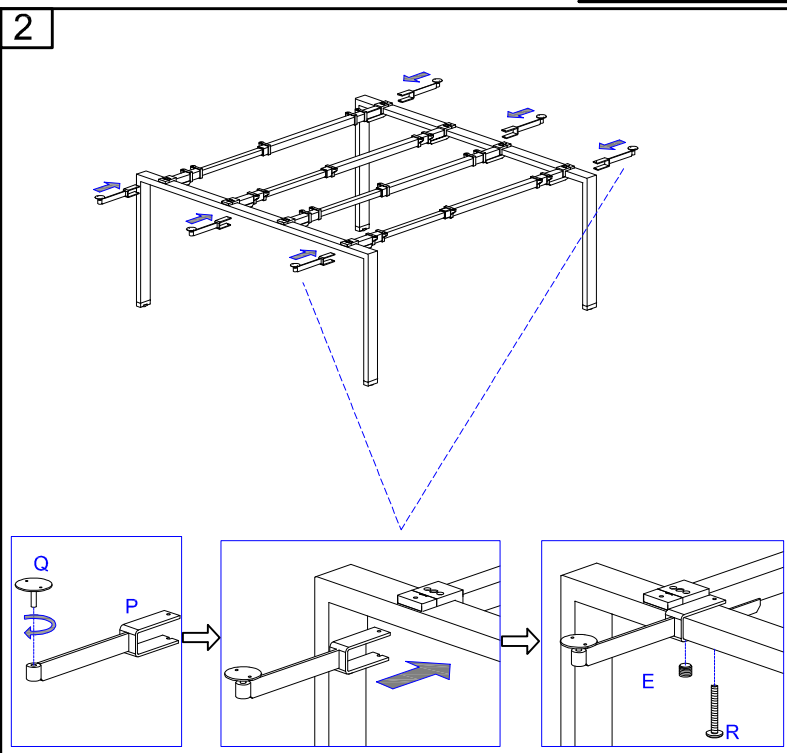
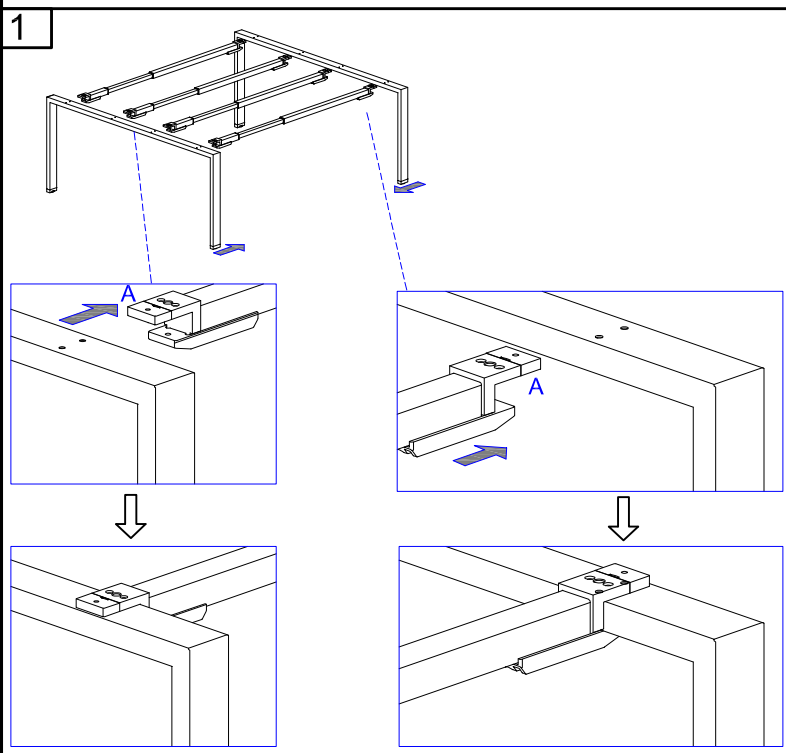
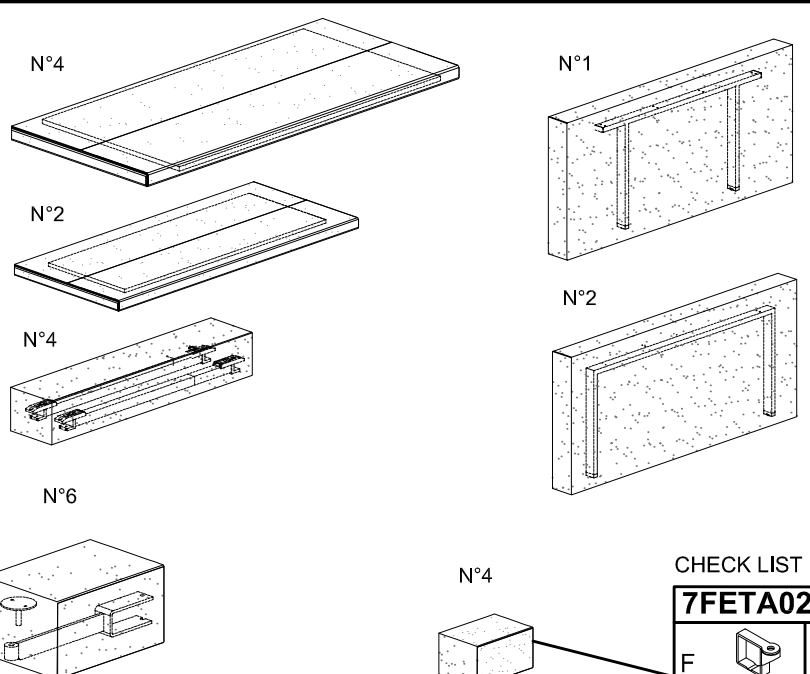


TABLE WITH CENTRAL CABLE BRUSH (14-20 PLACES)

CHECK LIST

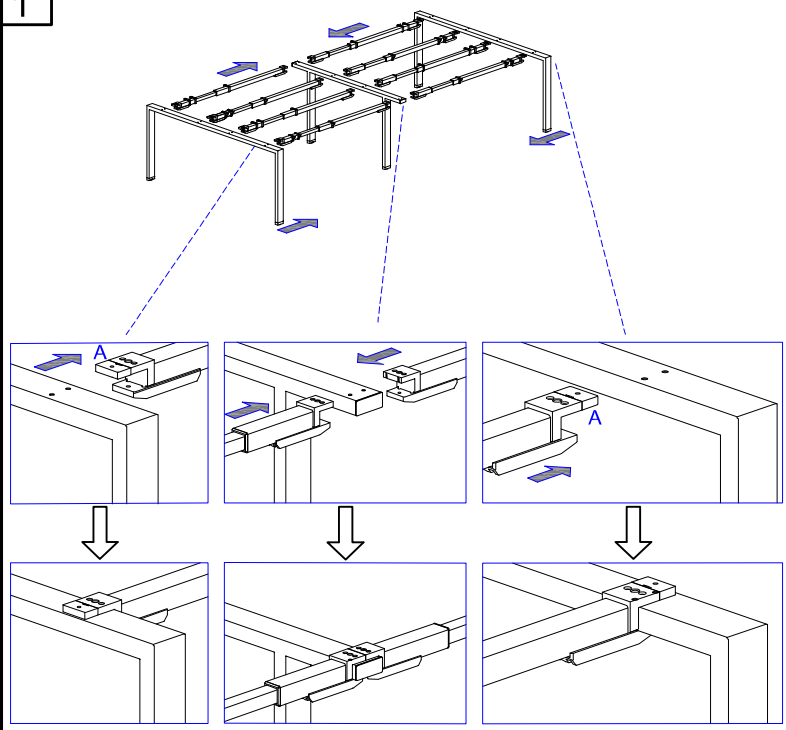
7YST00201		
P		1
Q		1
R		1
S		2
E		1



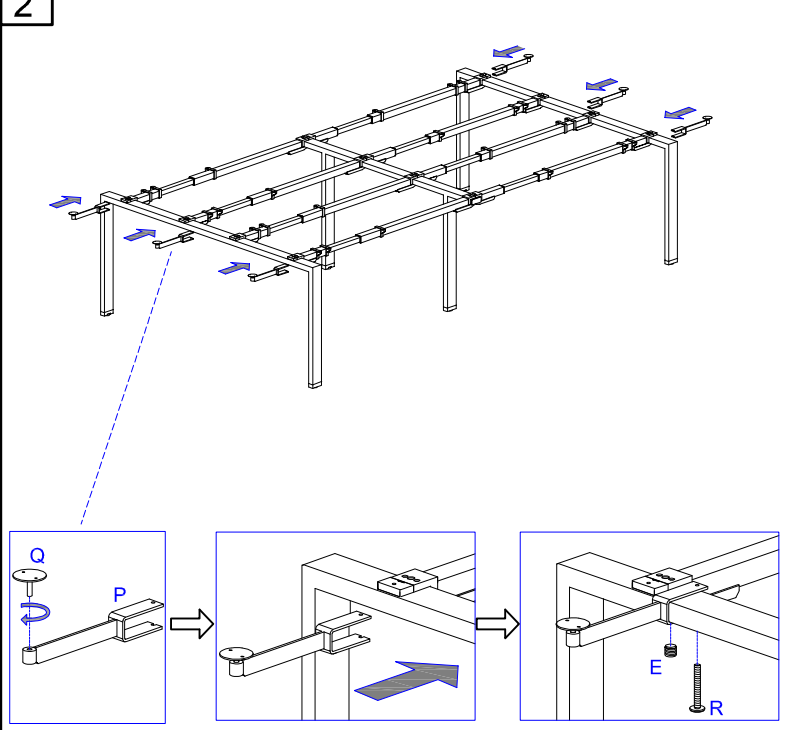
CHECK LIST

7FETA02000		
F		4
G		4

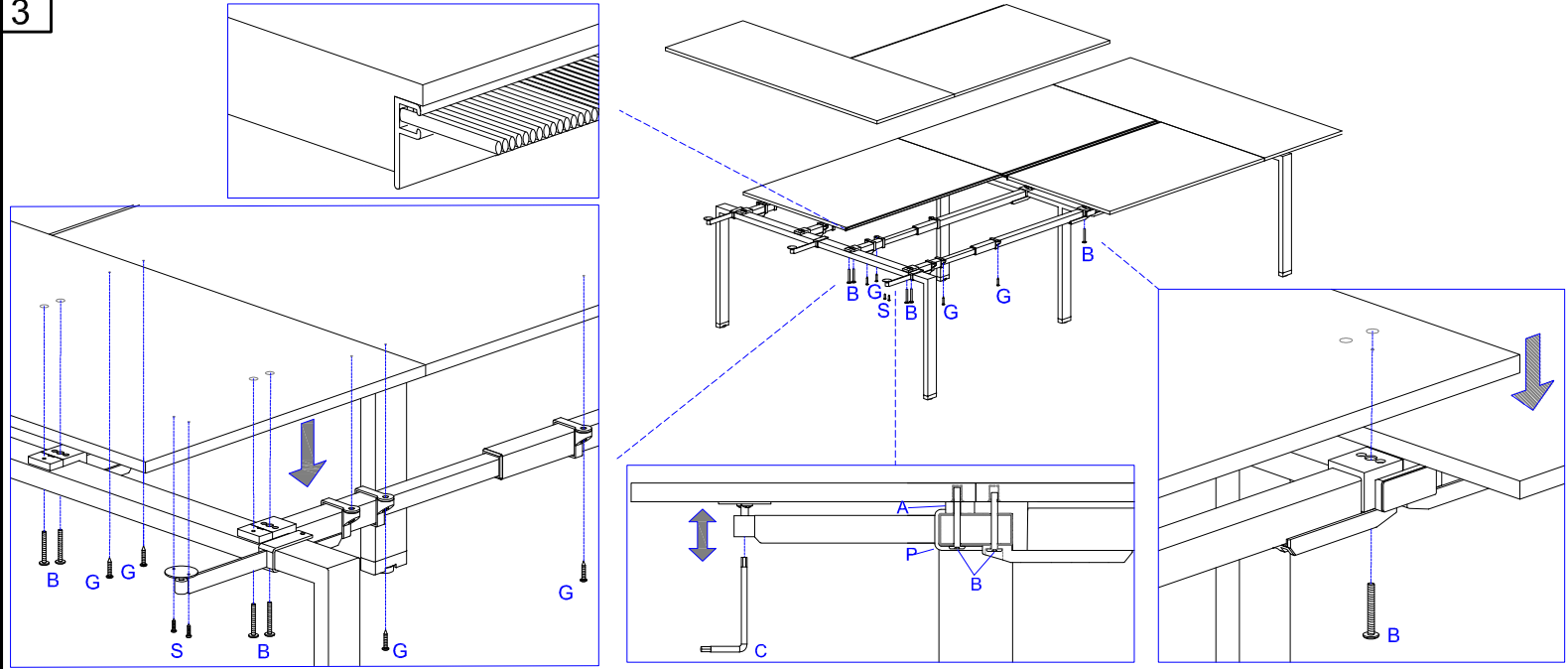
1

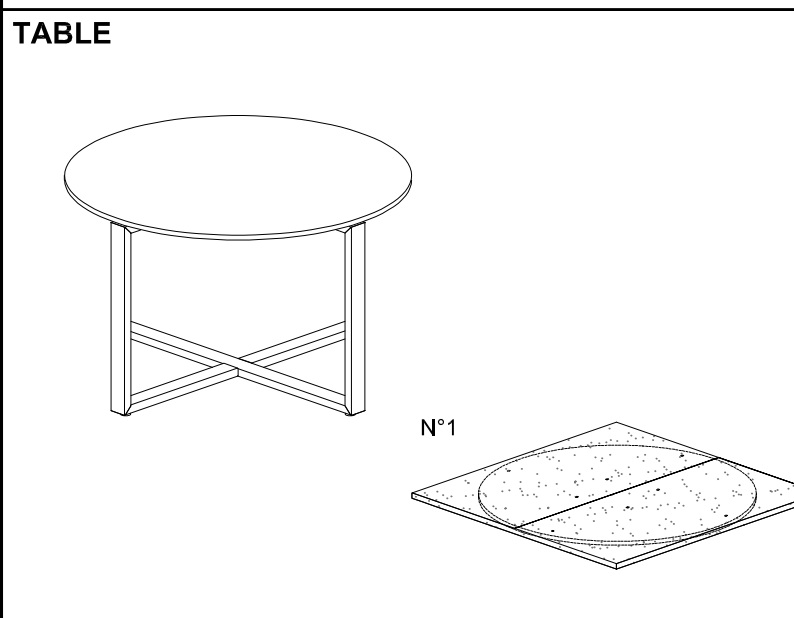
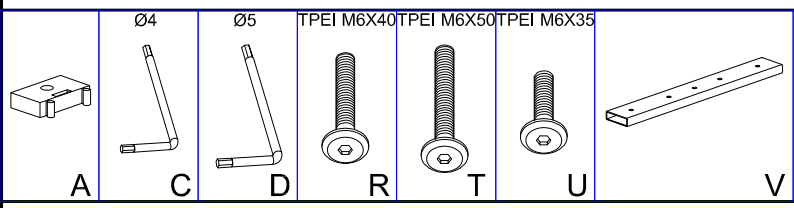
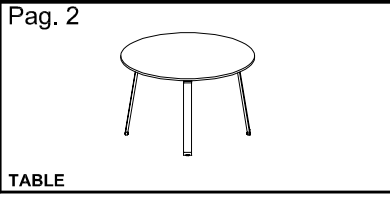
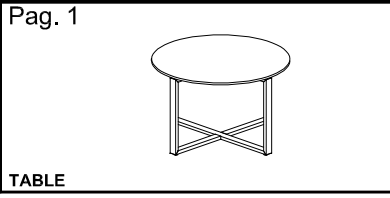


2



3



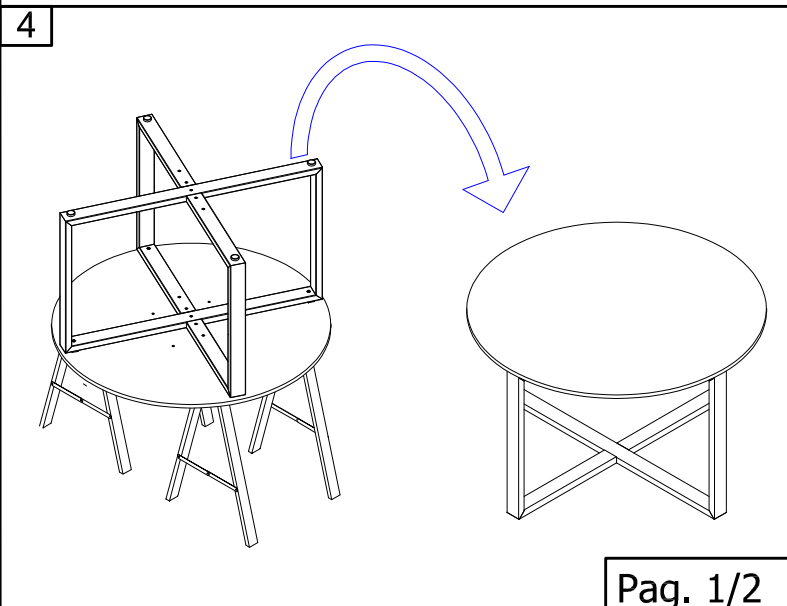
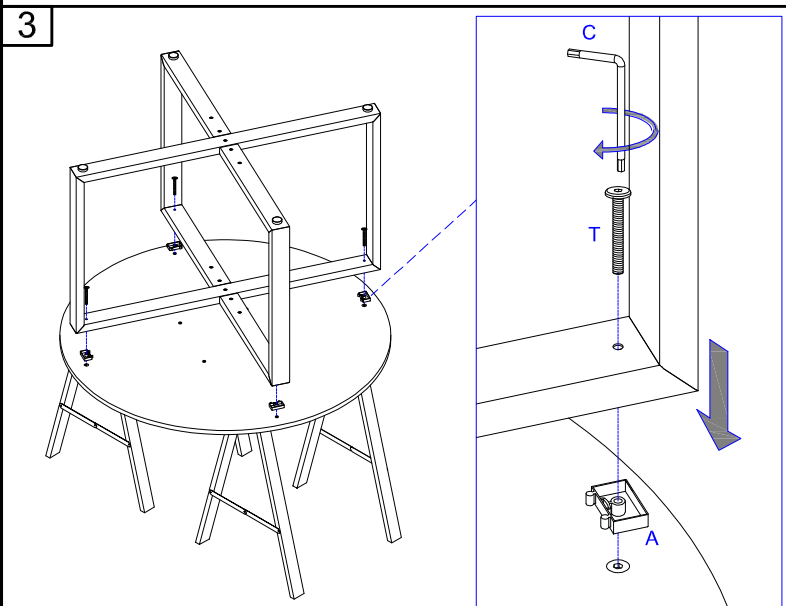
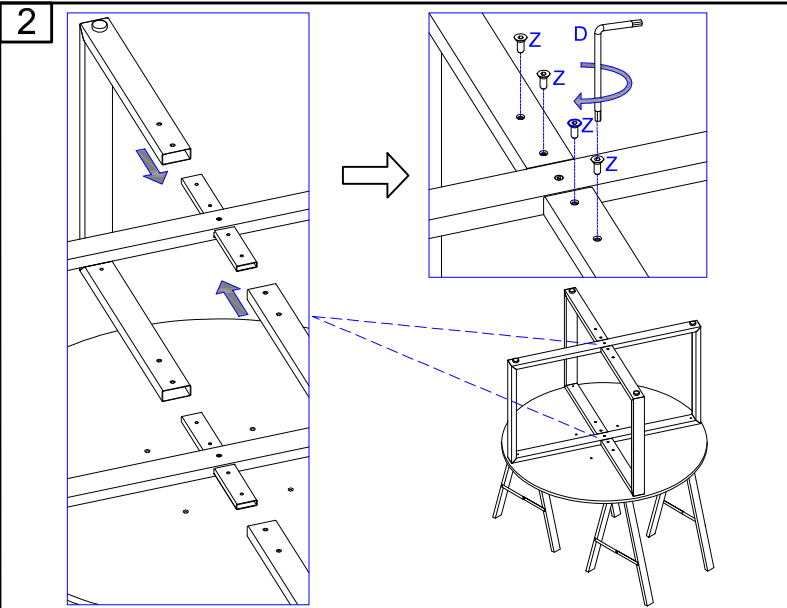
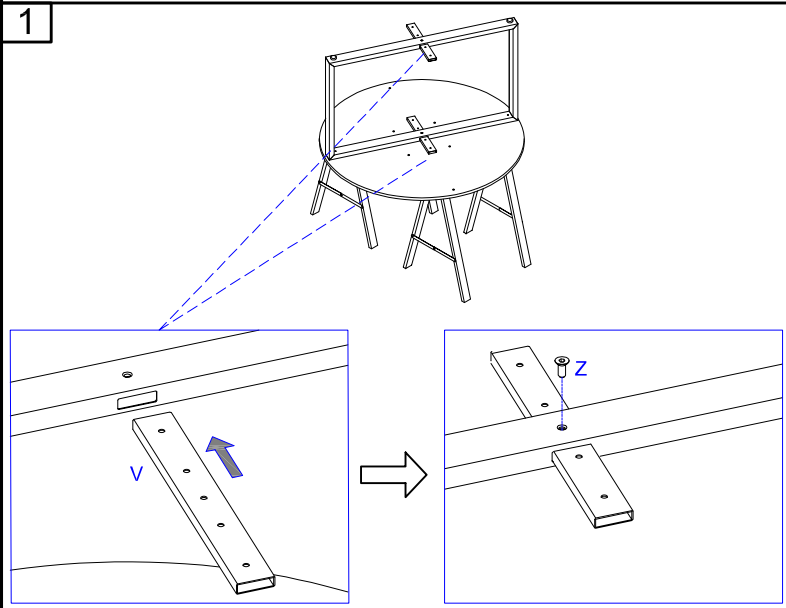


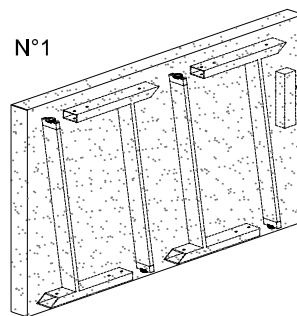
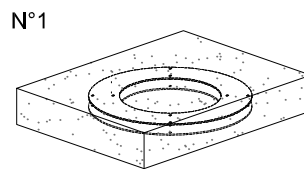
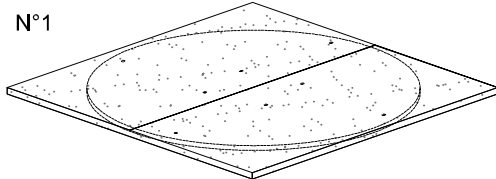
N°1

N°1

CHECK LIST		
4FETA01900		
V		2
Z		10

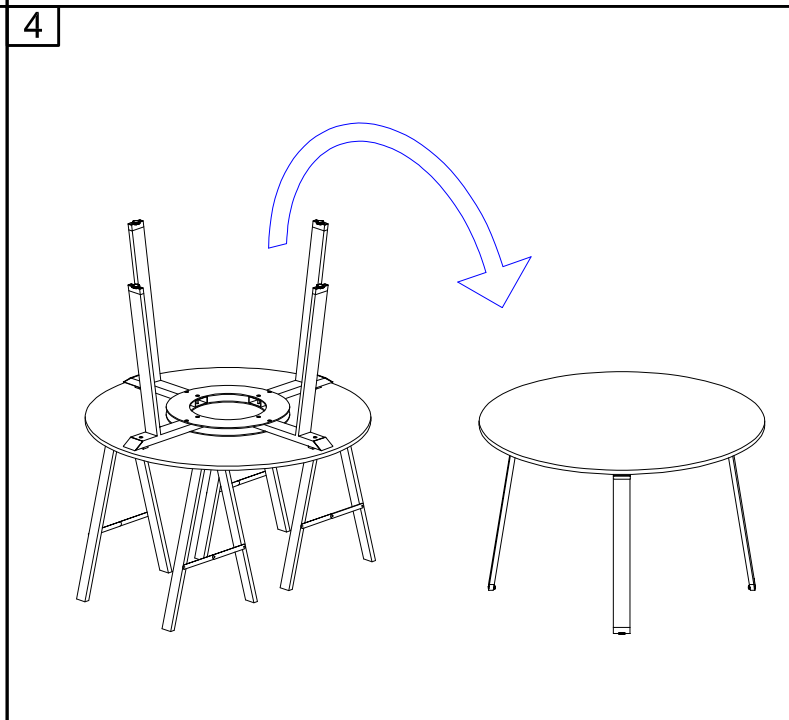
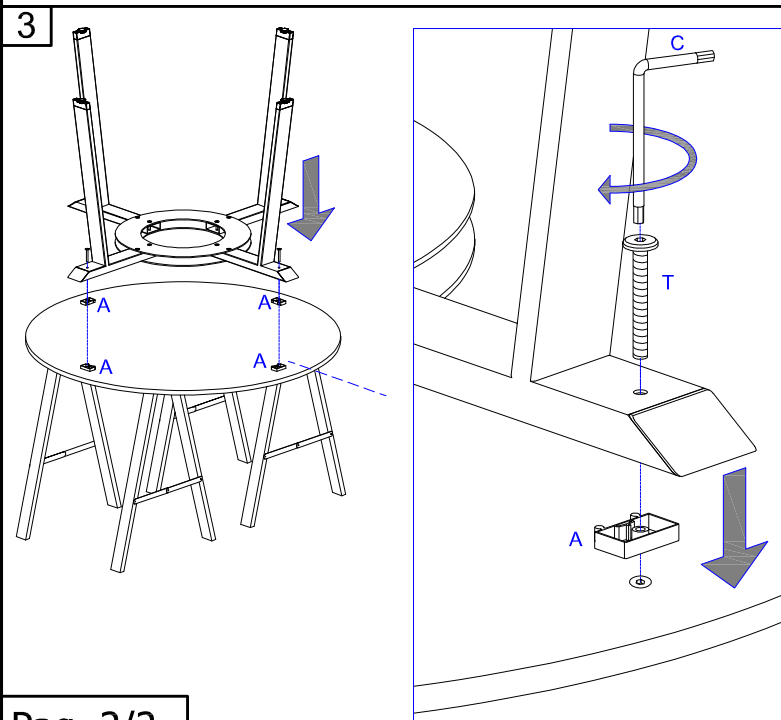
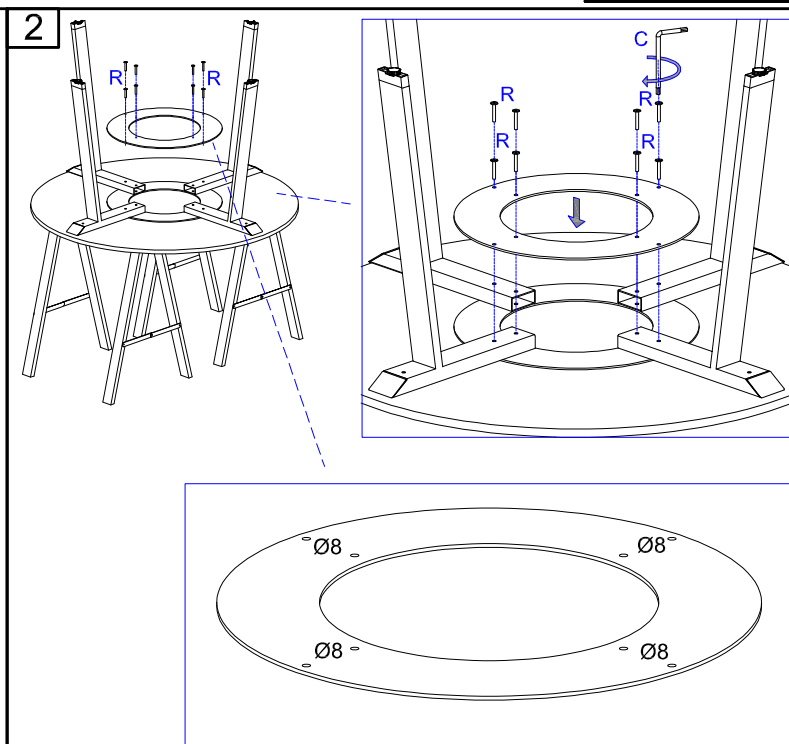
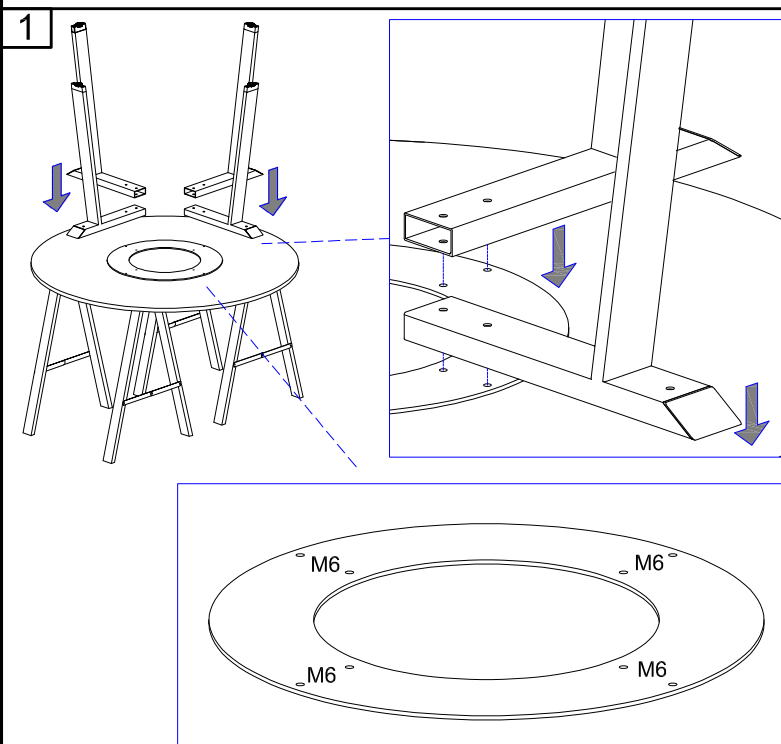
CHECK LIST		
4FETA01800		
A		4
C		1
D		1
T		5
U		1

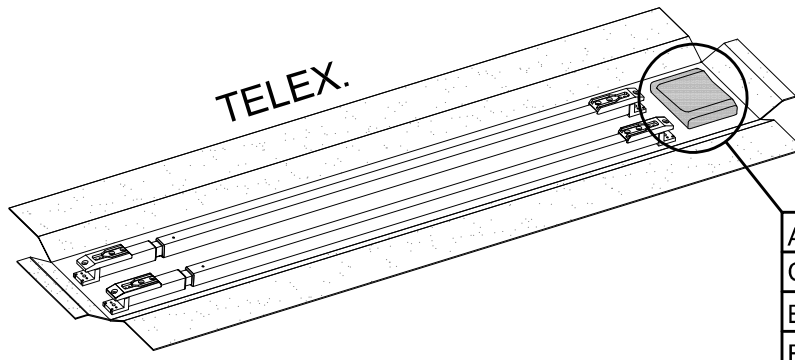
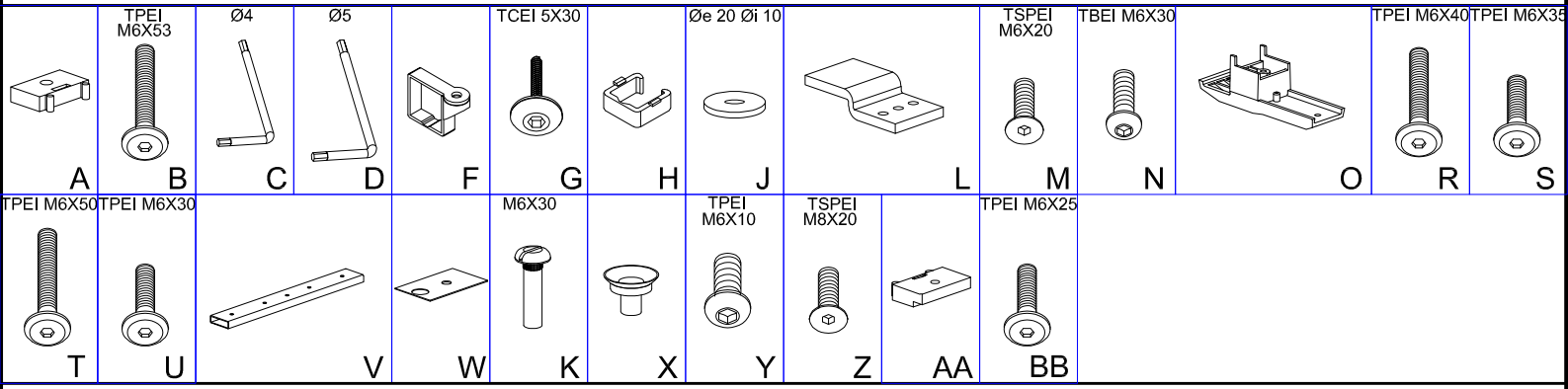
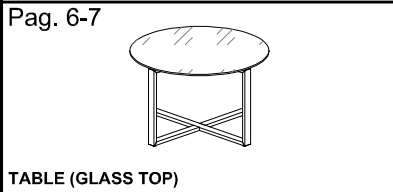
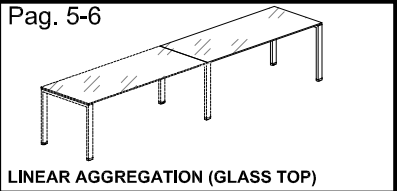
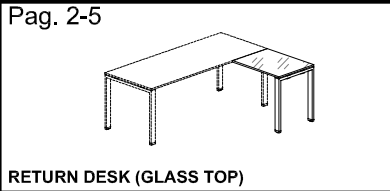
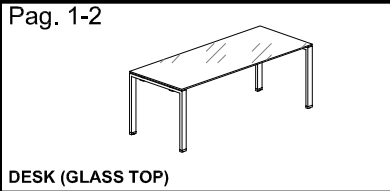




CHECK LIST

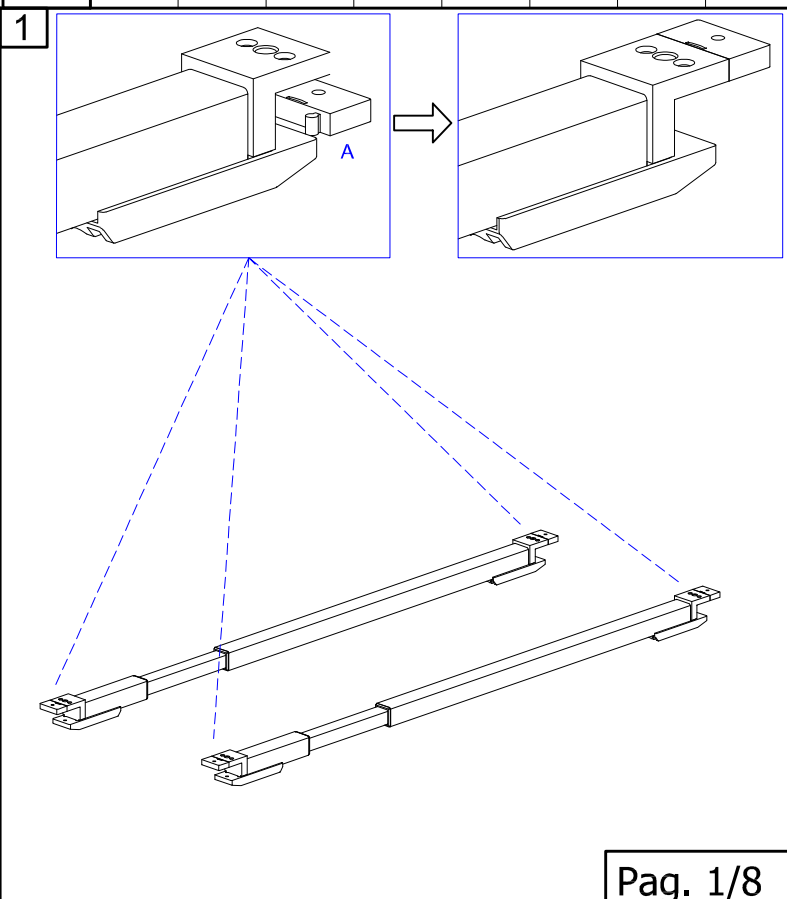
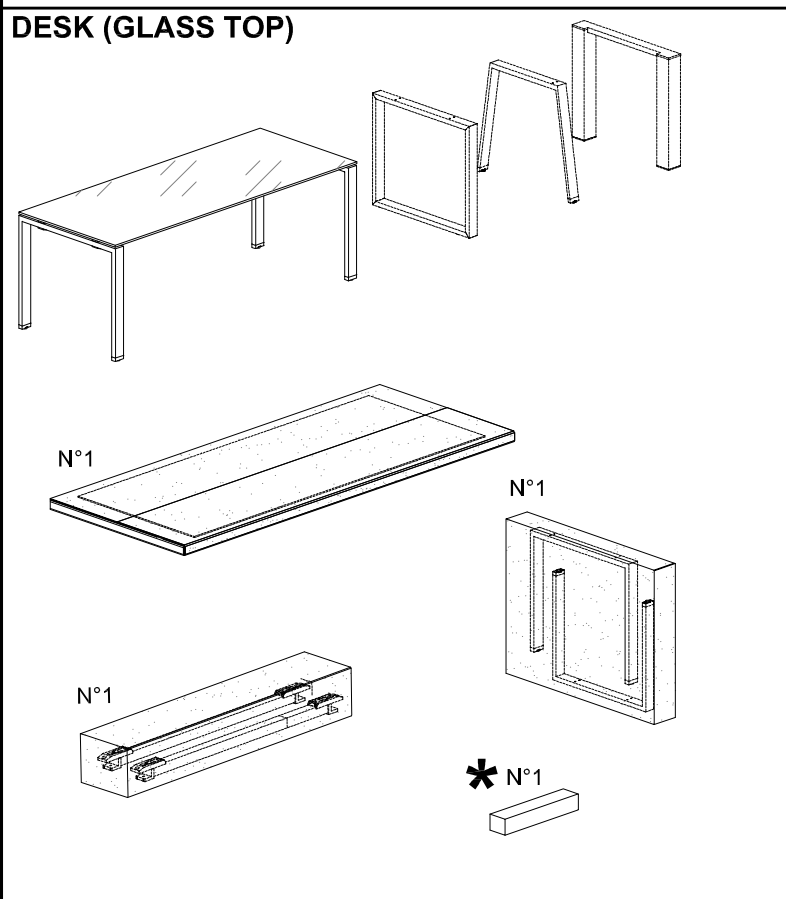
4FESC01400		
A		4
R		9
T		5
U		5





CHECK LIST

	TELEX EX: 7TRFG1857T2__				FIX EX: 7TRFG1740F2__			
	1057	1257	1857	2457	1340	1540	1740	1940
A	4	4	4	4	4	4	4	4
C	1	1	1	1				
B	8	8	8	8	8	8	8	8
E	2	2	2	2	2			
F		2	2	4	2	2	2	2
G		2	2	4	2	2	2	2
H				2				

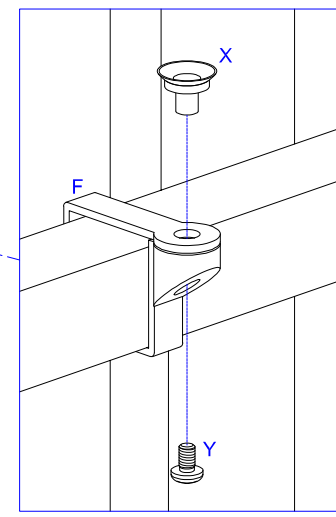
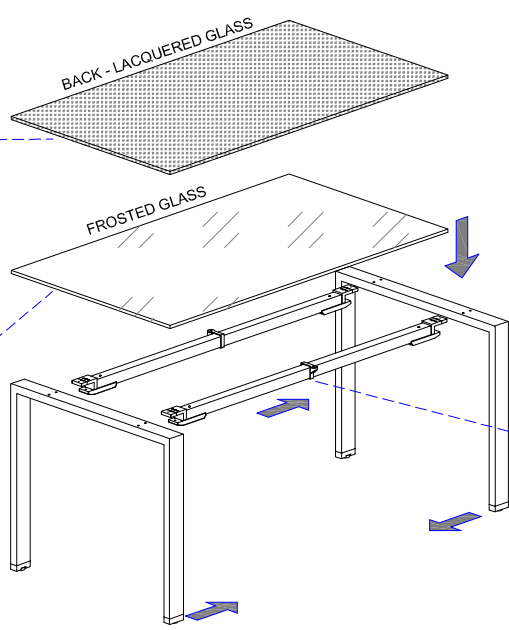


2 * N°1

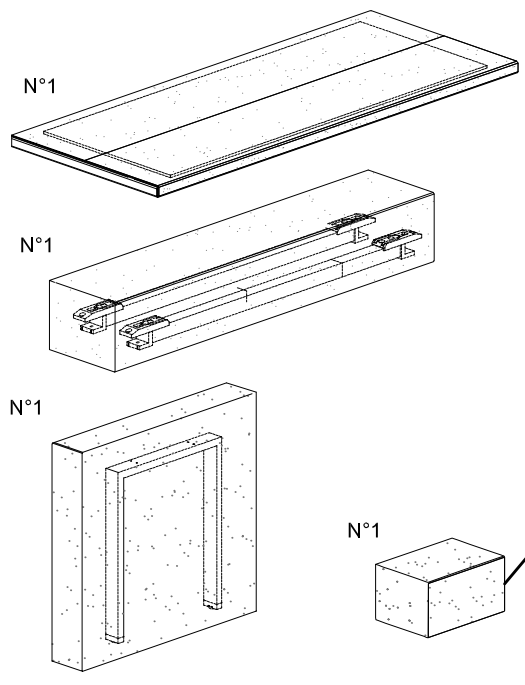
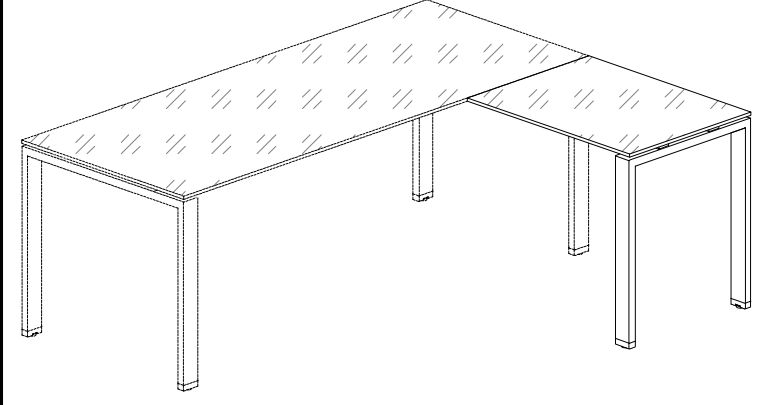
7FESC086		
R		4
U		4
J		4
K		5
X		8
Y		6
BB		4

*** N°1**

7FESC087		
R		4
U		4
J		4
K		4
X		8
Y		6
W		4
BB		4

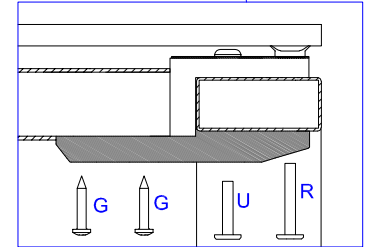
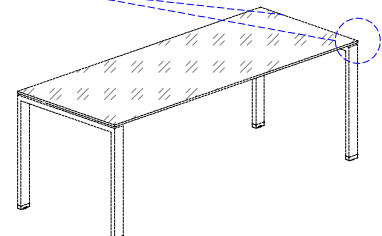
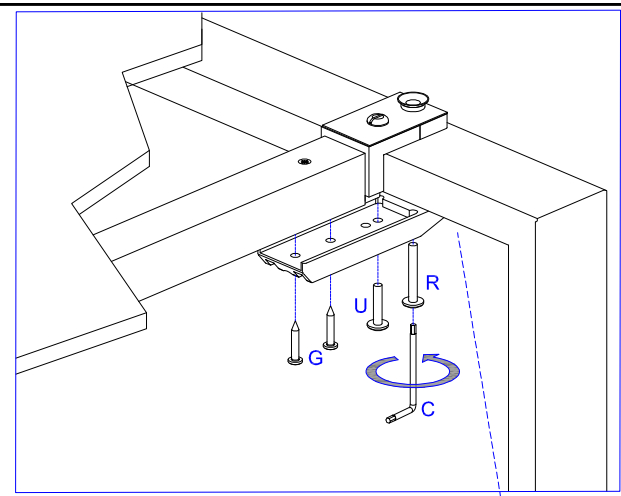
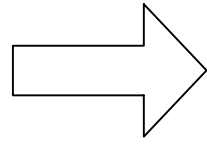
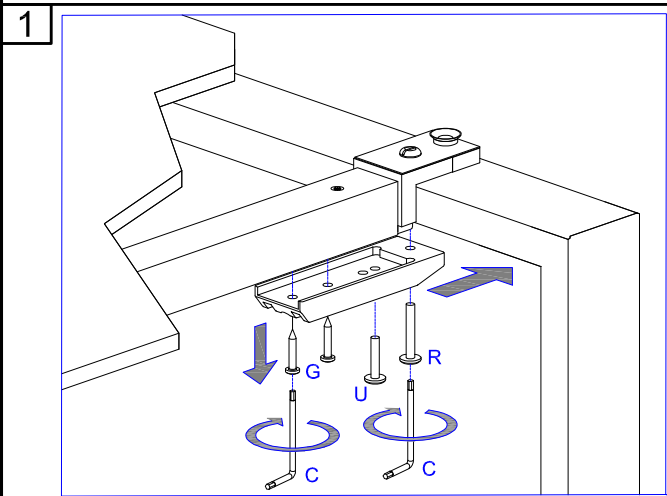
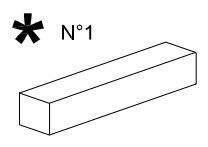


RETURN DESK (GLASS TOP)

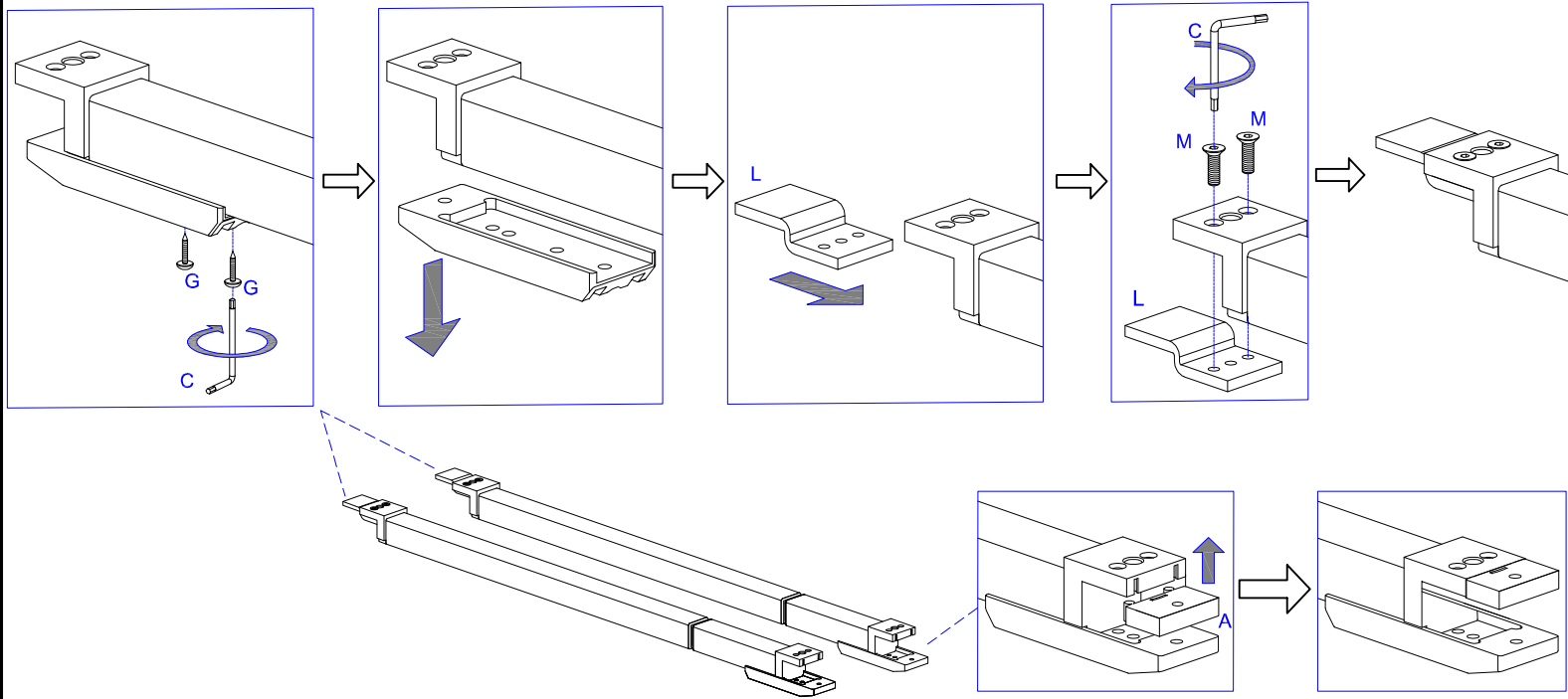


CHECK LIST

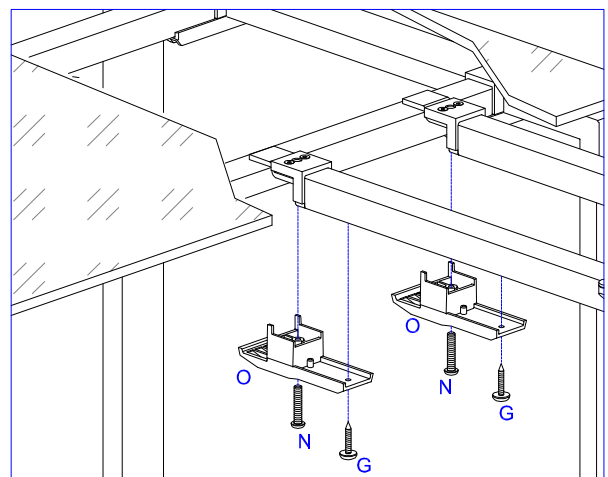
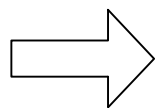
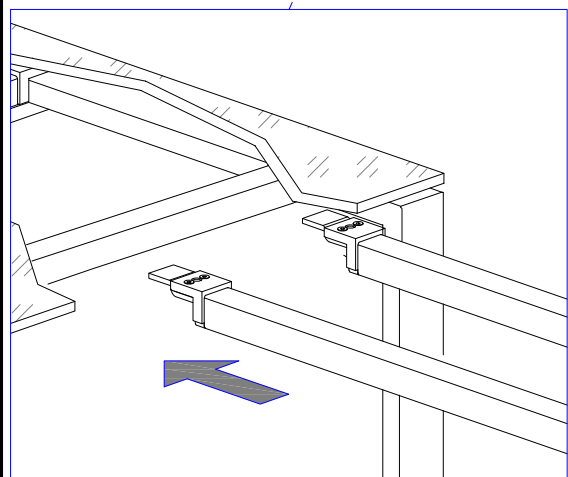
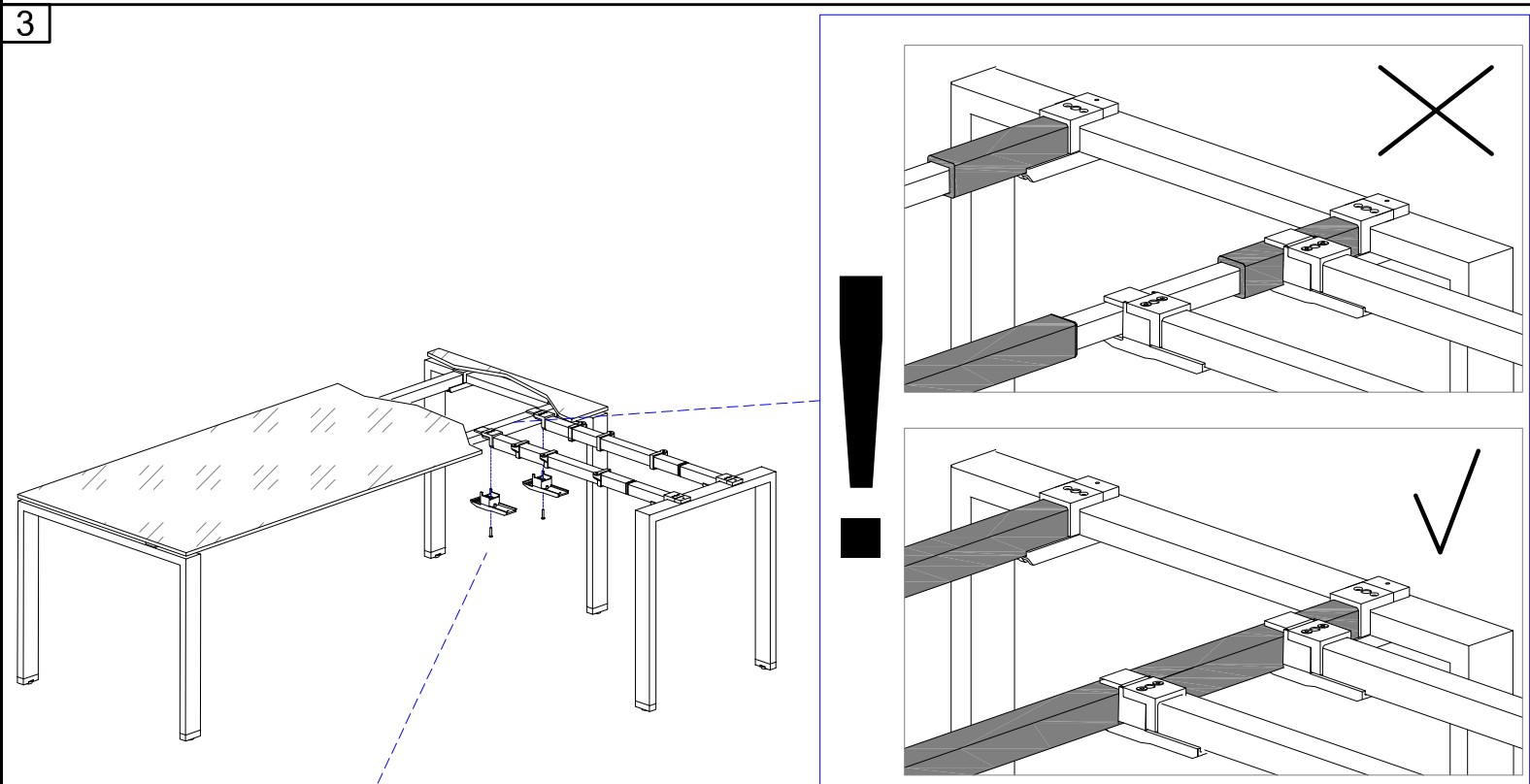
7YST00602		
F		4
G		5
L		2
M		5
N		5
O		2

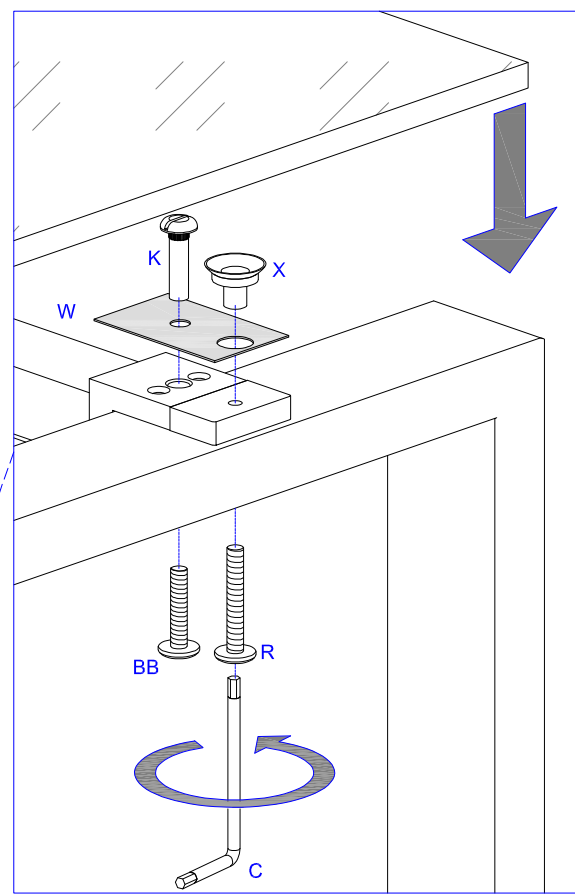
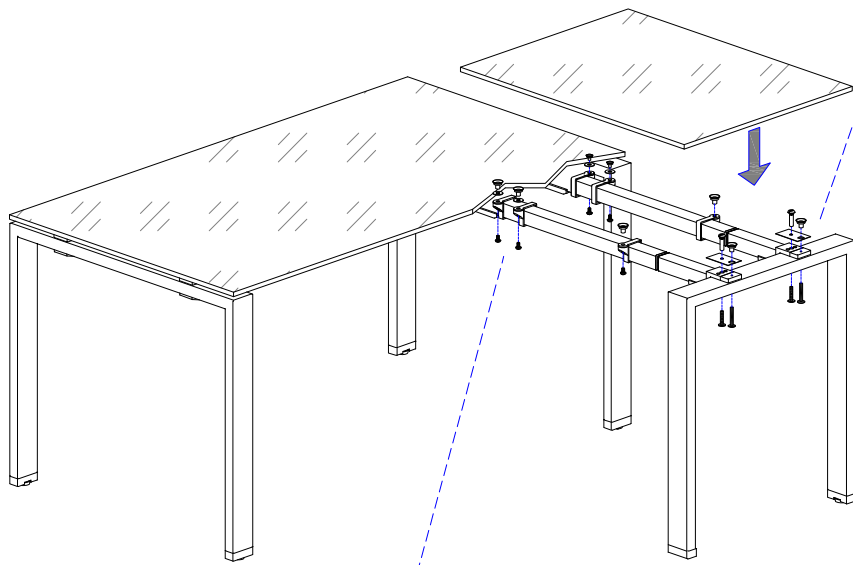


2

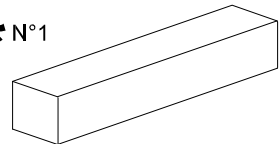


3



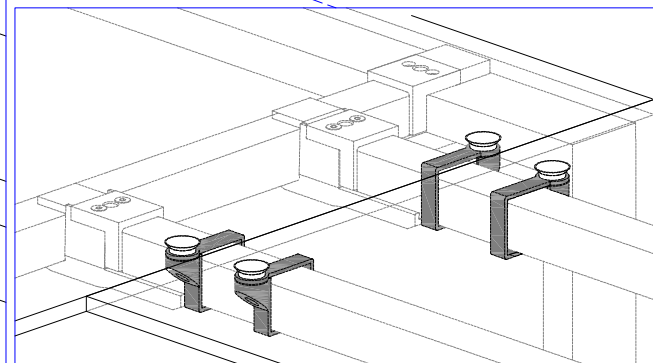
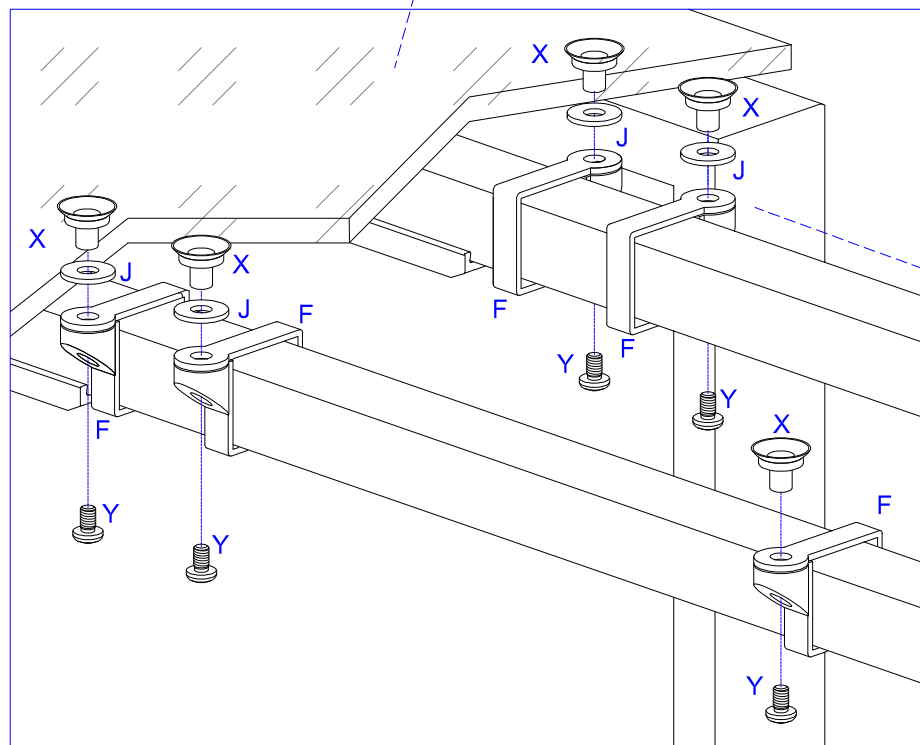


* N°1

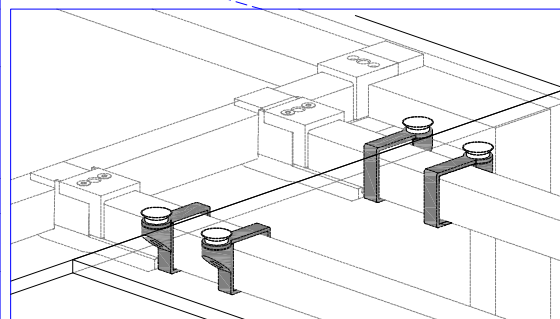
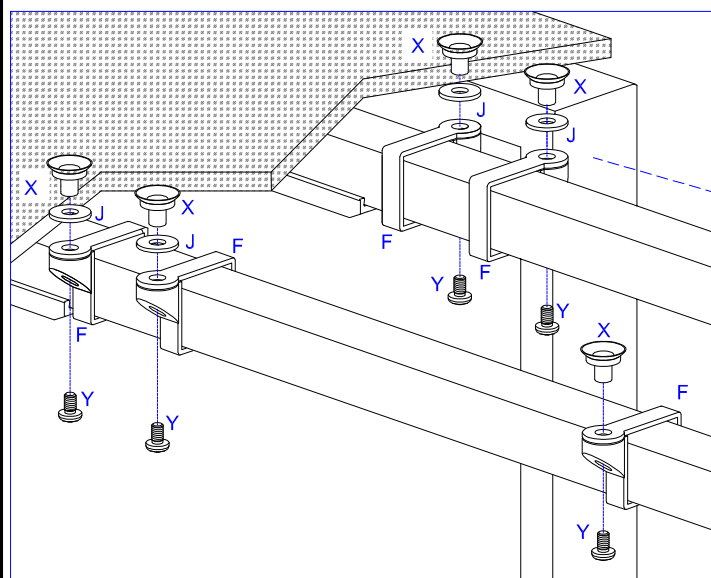
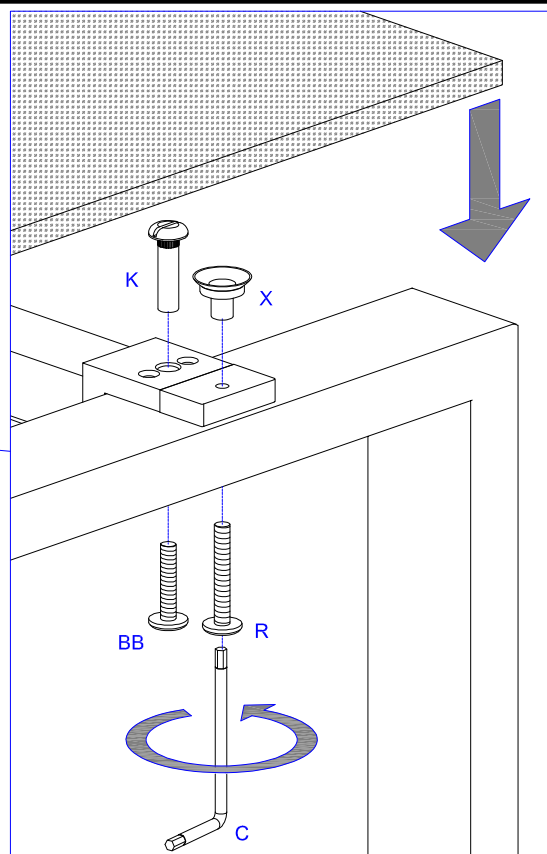
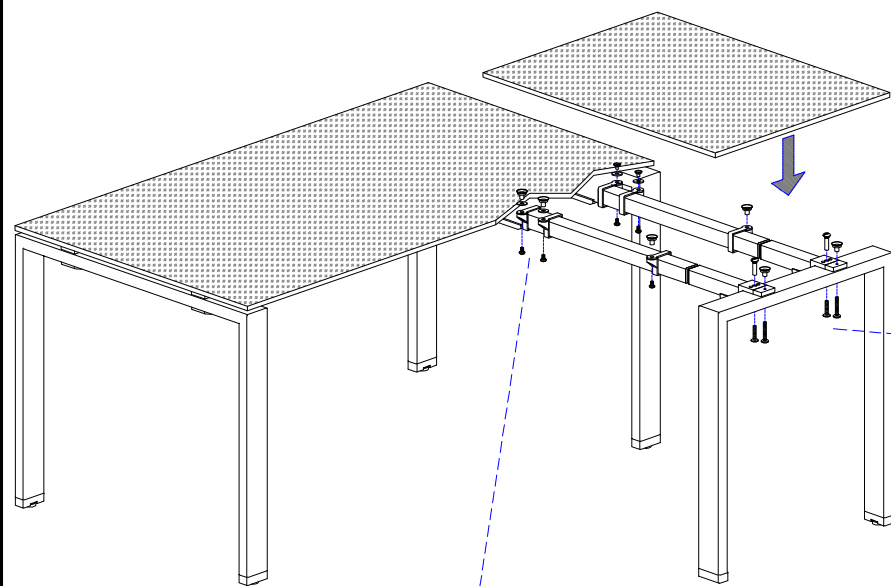


CHECK LIST

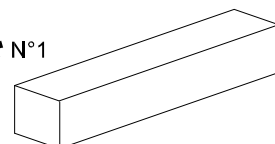
7FESC087		
R		4
U		4
J		4
K		4
X		8
Y		6
W		4
BB		4



4a) BACK - LACQUERED GLASS



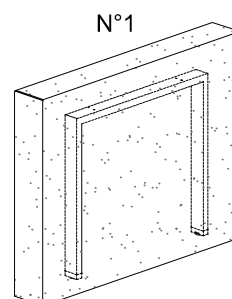
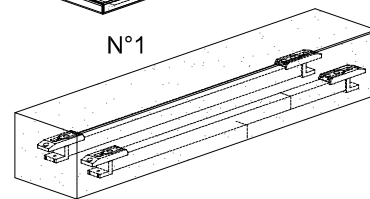
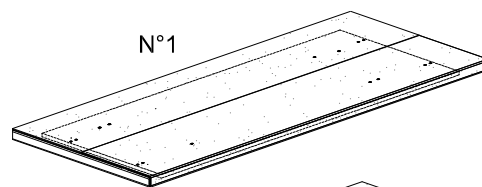
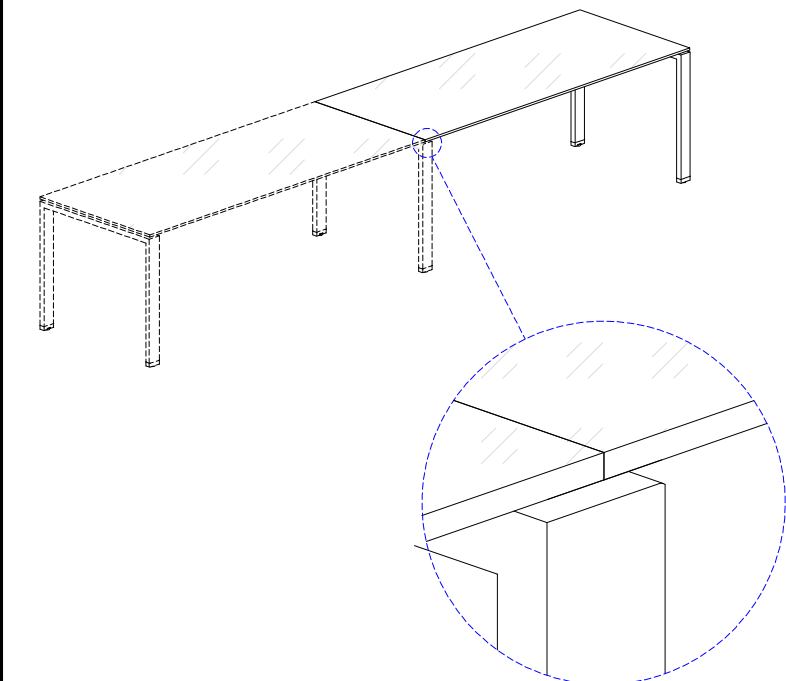
* N°1



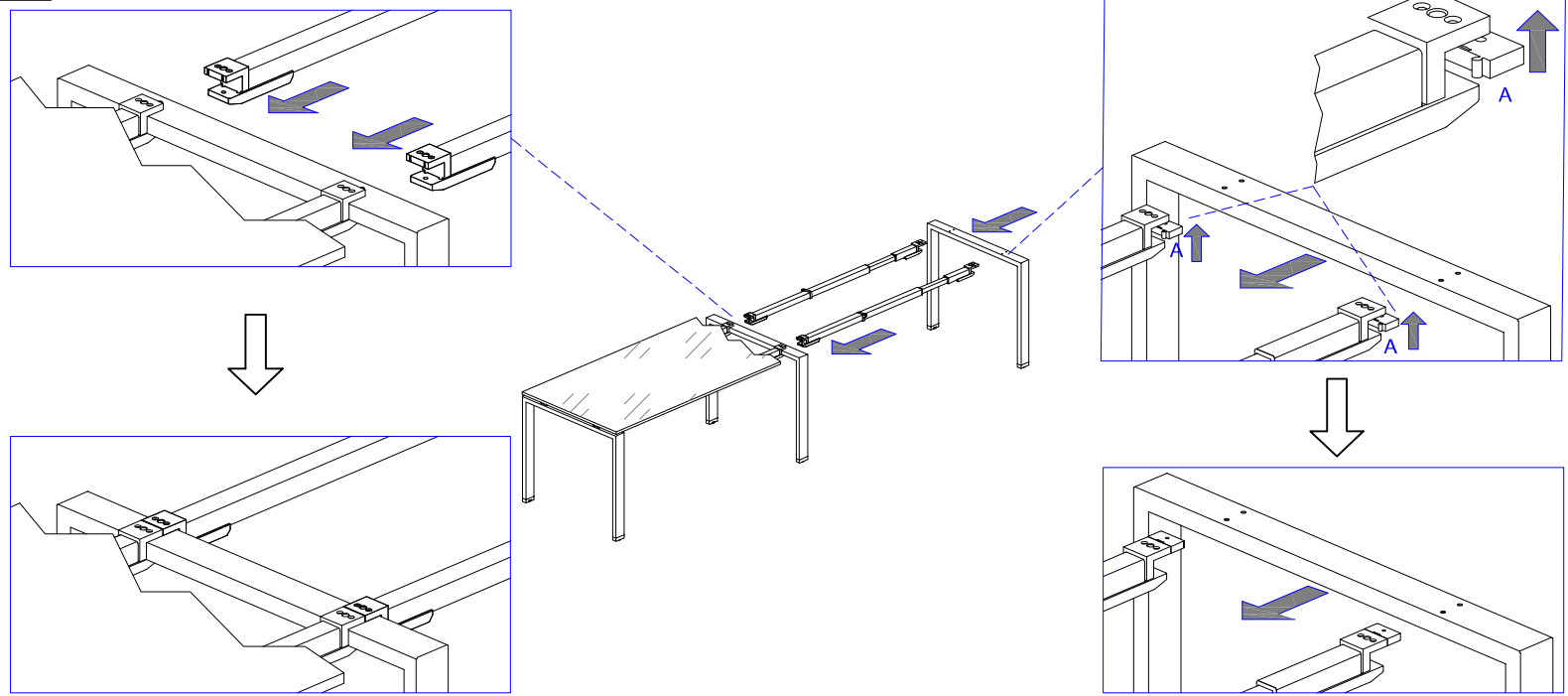
CHECK LIST

7FESC086		
R		4
U		4
J		4
K		5
X		8
Y		6
BB		4

LINEAR AGGREGATION (GLASS TOP)



1



2

FROSTED GLASS

BACK - LACQUERED GLASS

FROSTED GLASS

BACK - LACQUERED GLASS

CHECK LIST

7FESC086		
R		4
U		4
J		4
K		4
X		8
Y		6
W		4
BB		4

* N°1

FROSTED GLASS

BACK - LACQUERED GLASS

TABLE (GLASS TOP)

N°1

N°1

CHECK LIST

4FETA01900		
V		2
Z		10

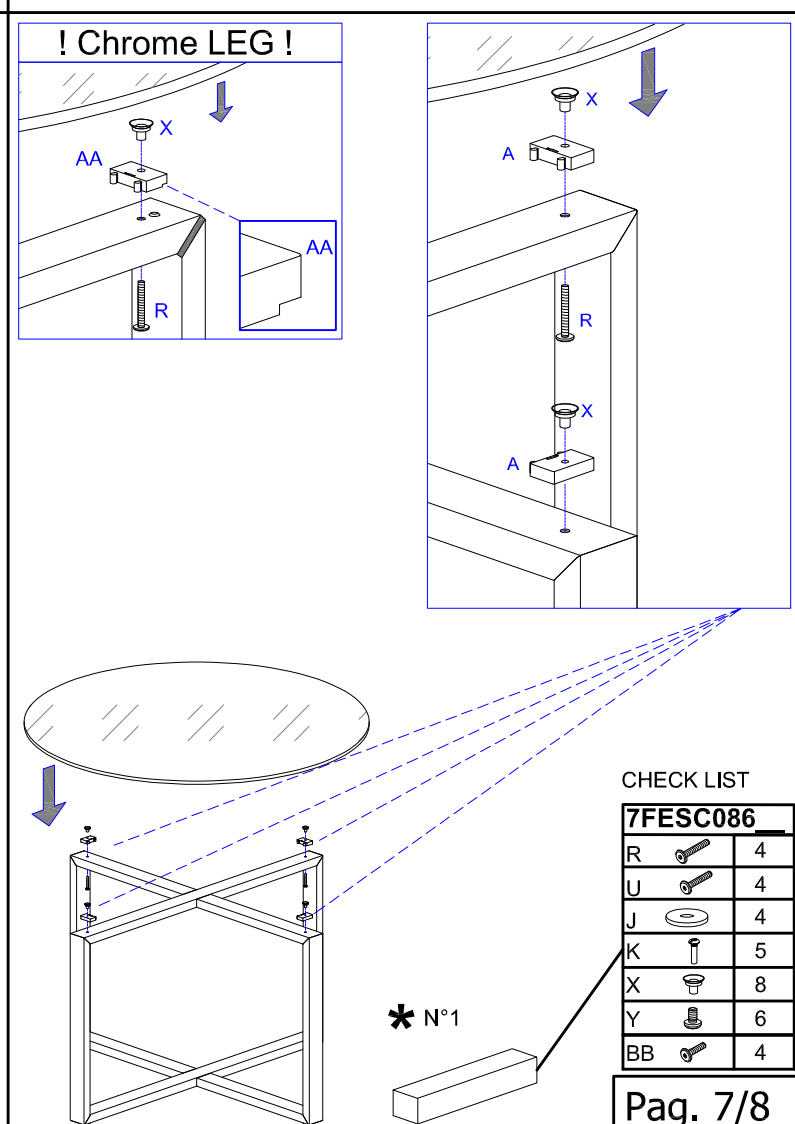
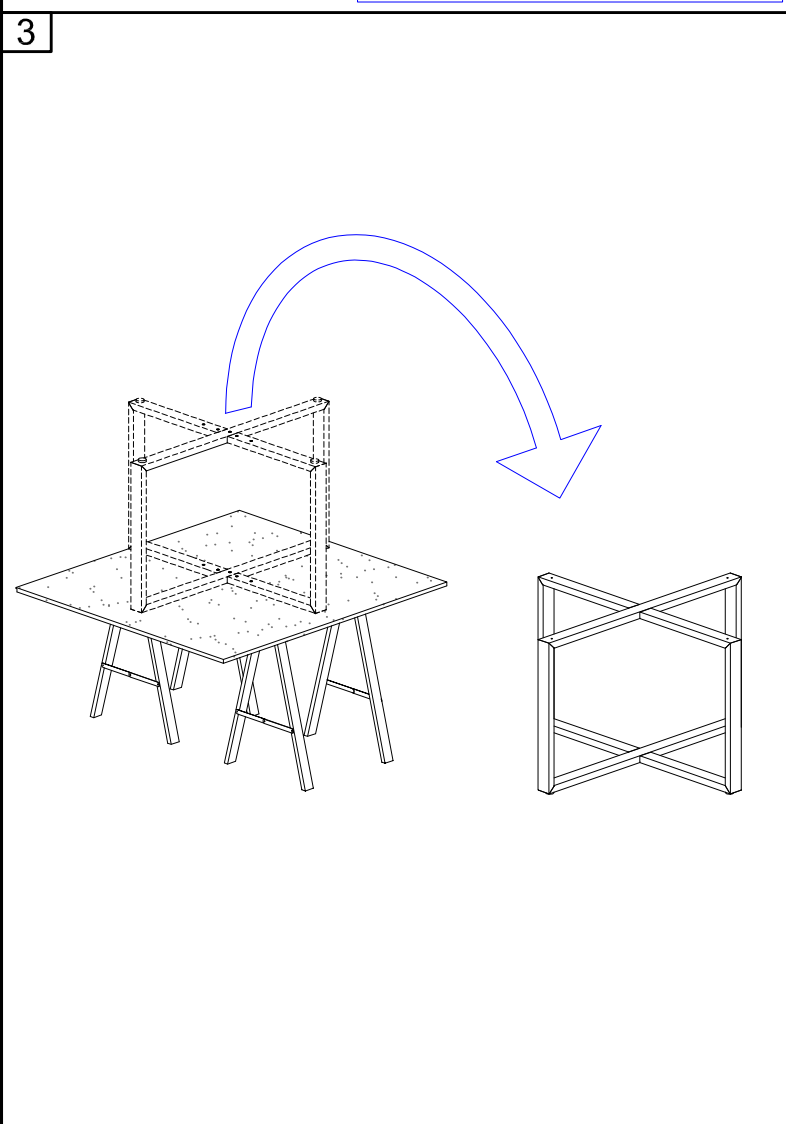
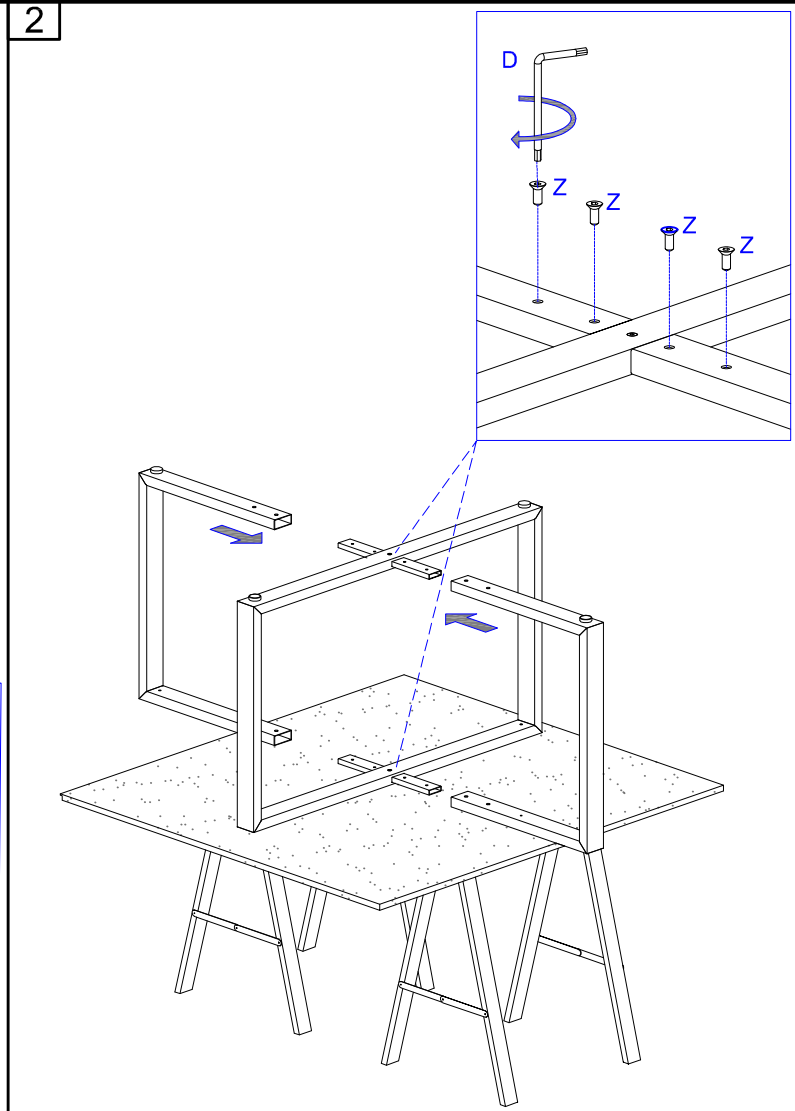
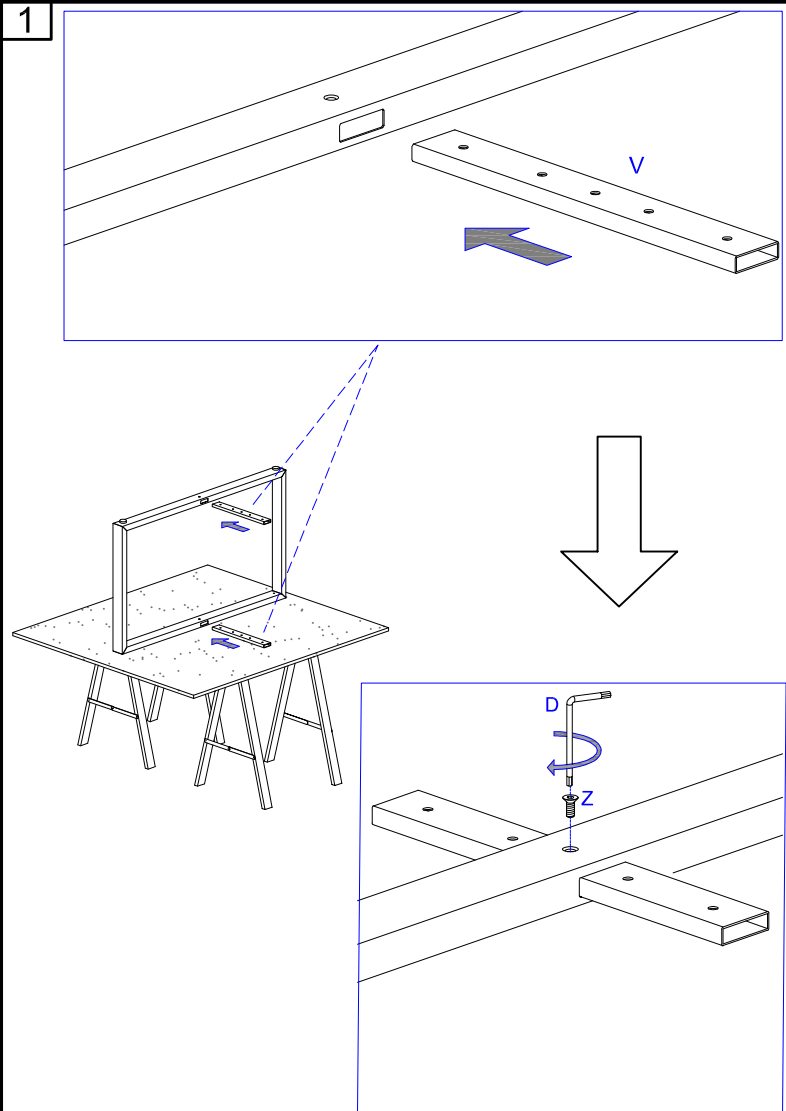
4FETA01800		
A		4
C		1
D		1
S		5
T		5

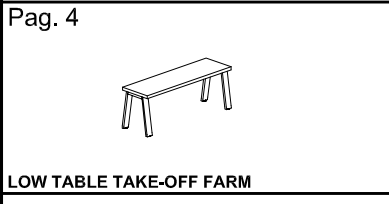
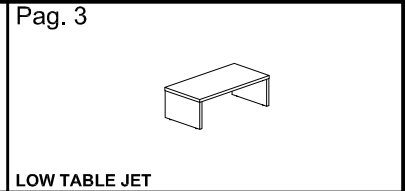
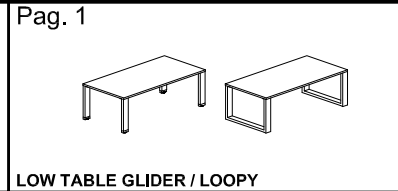
don't use it

don't use it

N°1

* N°1





TBL M6X15	TPS 3,5X16	TC 5X18	TPEI M6X45	M8X8	Ø4	M8X15	Ø7 x 47 M6	Ø13,7x20	Ø25 M8x22
AG	AH	AI	AL	AM	C	AN	AO	AP	AQ

LOW TABLE GLIDER / LOOPY

N°1

N°1

N°1

4FETA00400		
AG		9
AI		9

AH		7
----	--	---

1

LOOPY

GLIDER

AG

AG

2

AH

AH

AH

AH

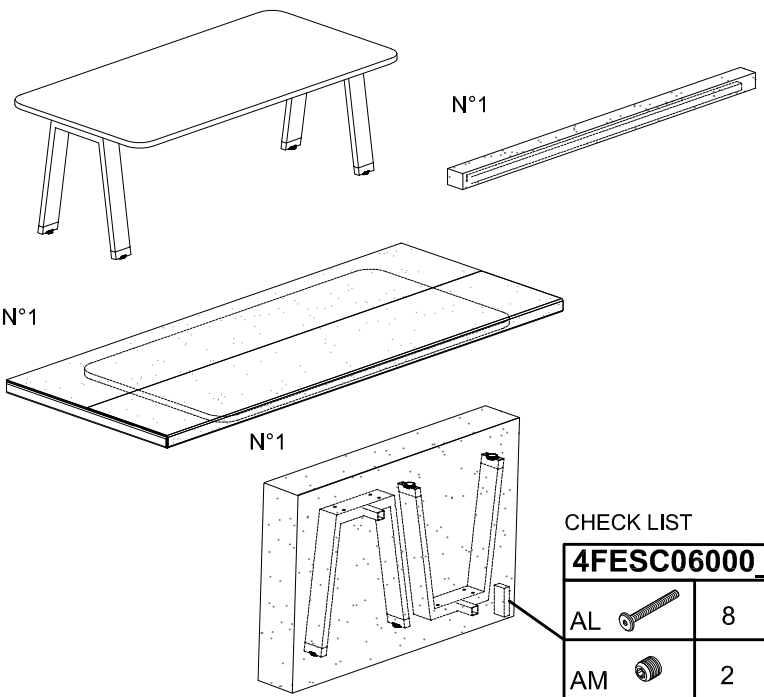
AH

AH


3

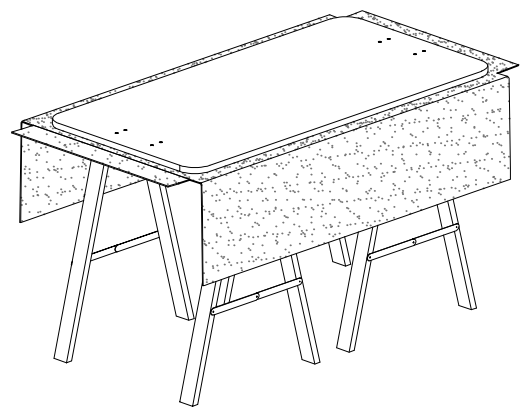
LOW TABLE TAKE-OFF

1

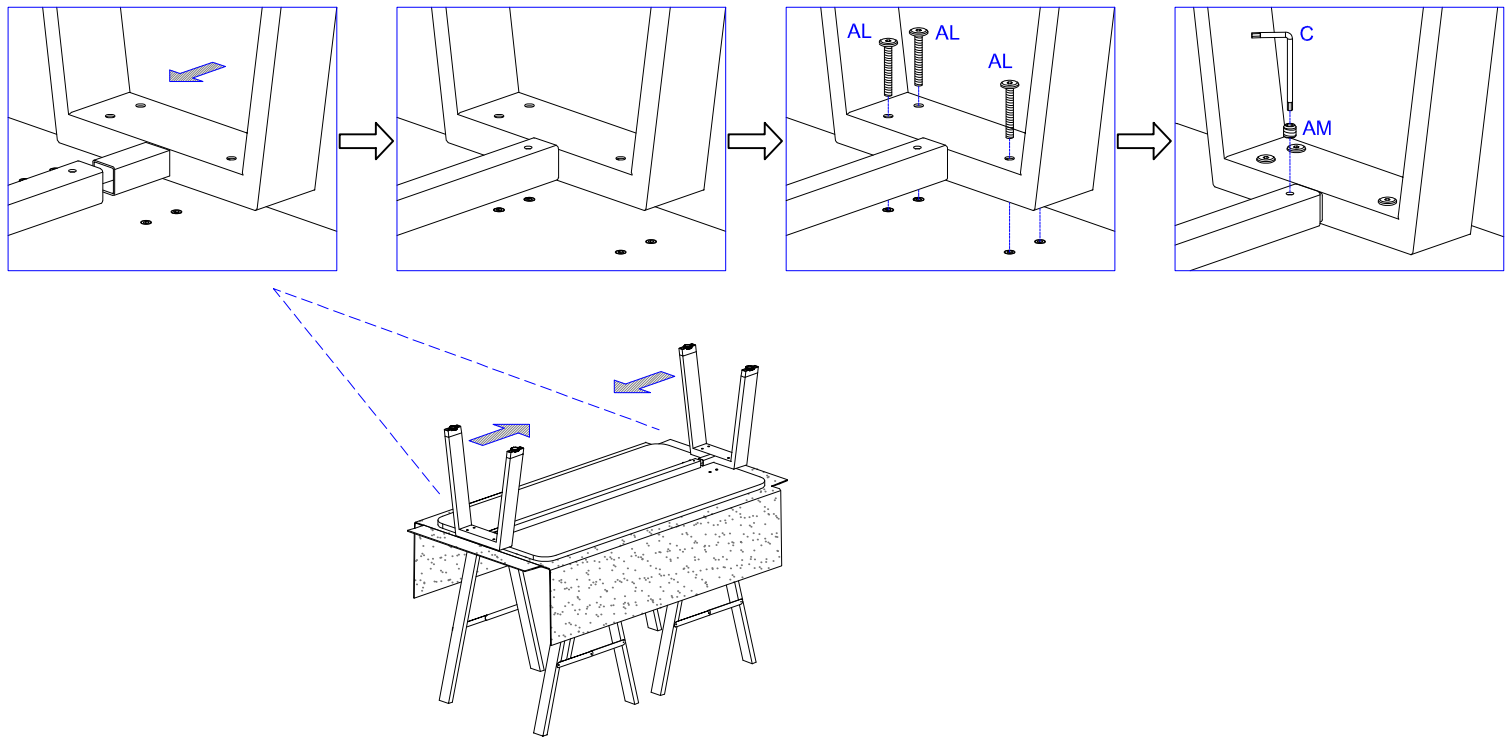


CHECK LIST

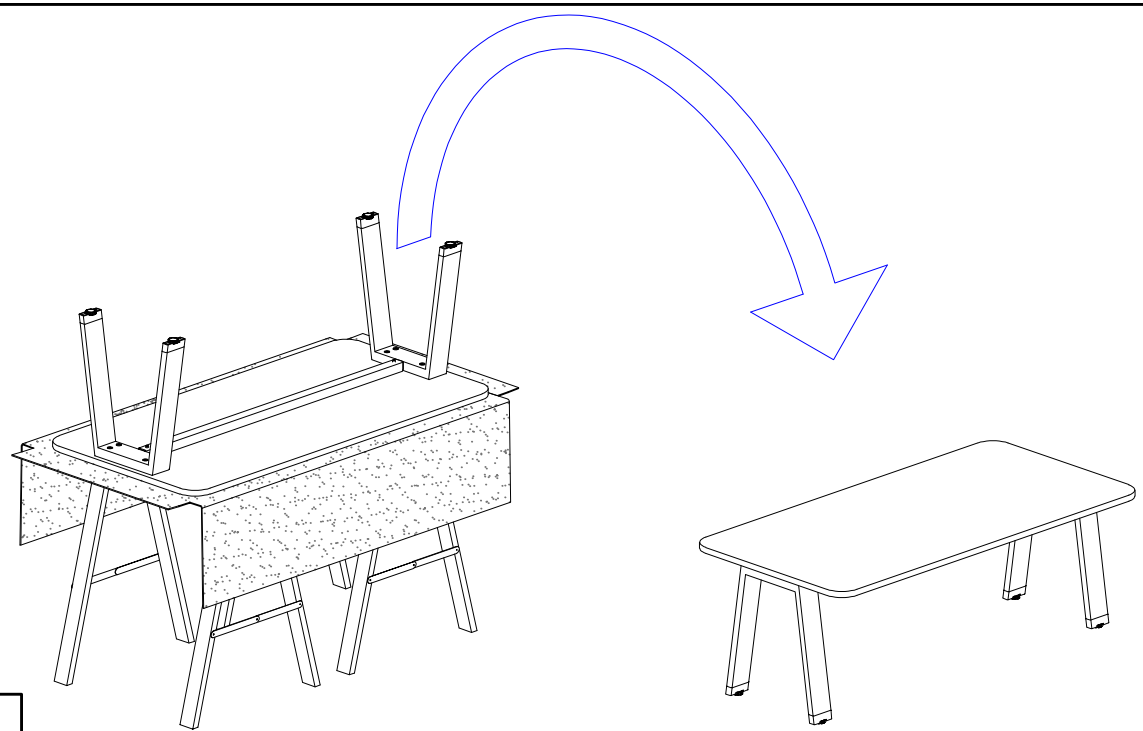
4FESC06000		
AL		8
AM		2



2

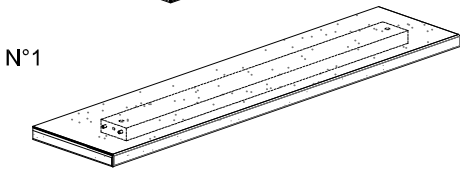
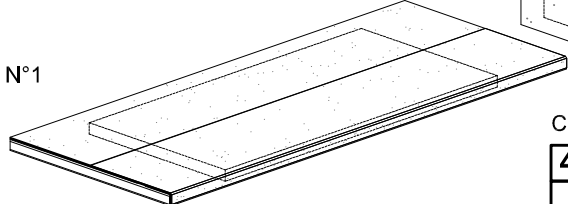
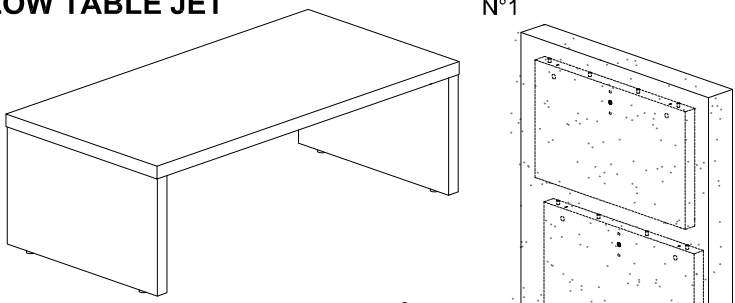


3



LOW TABLE JET

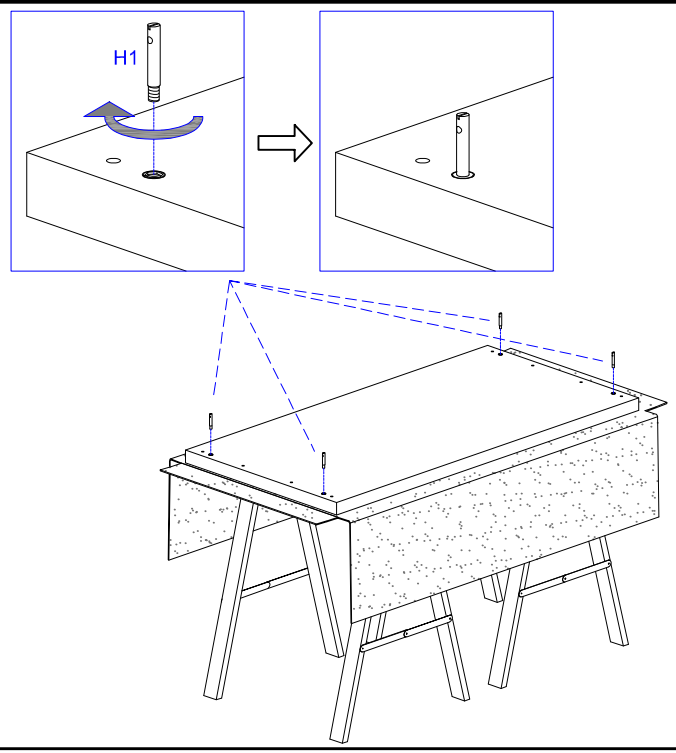
N°1



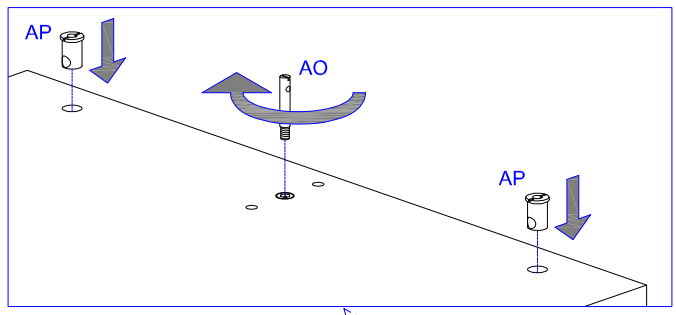
CHECK LIST

4FETA00300		
AN		6
AO		6
AP		6
AQ		4

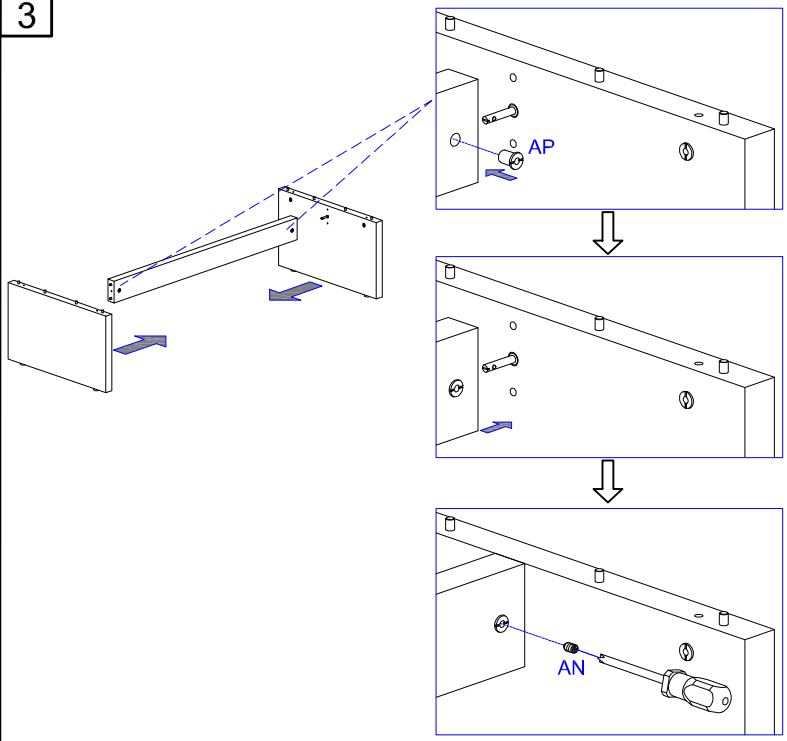
1



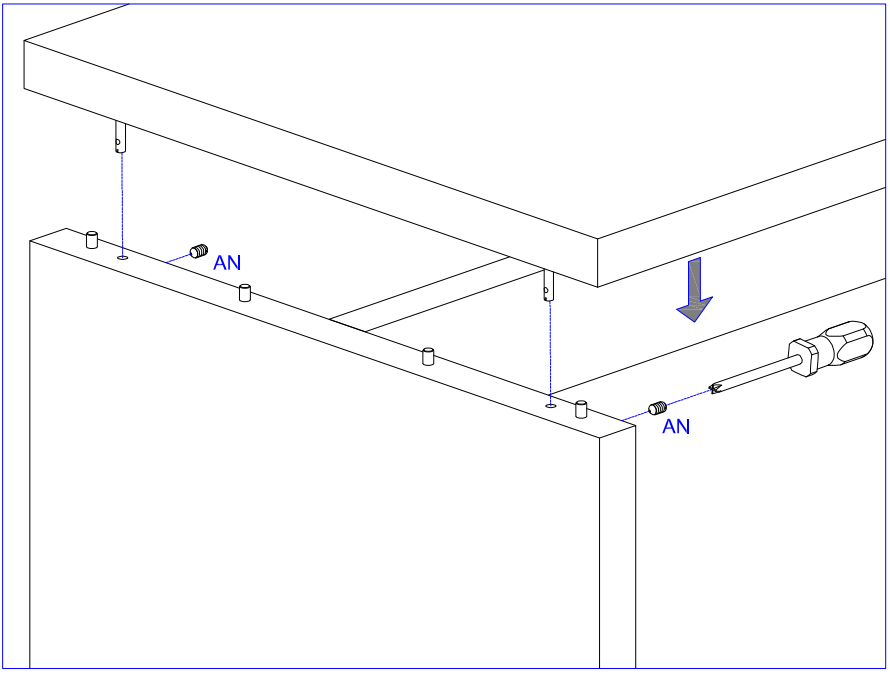
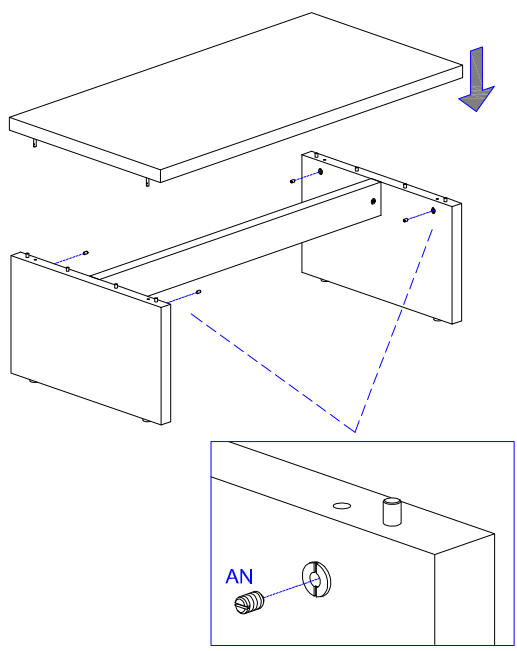
2



3

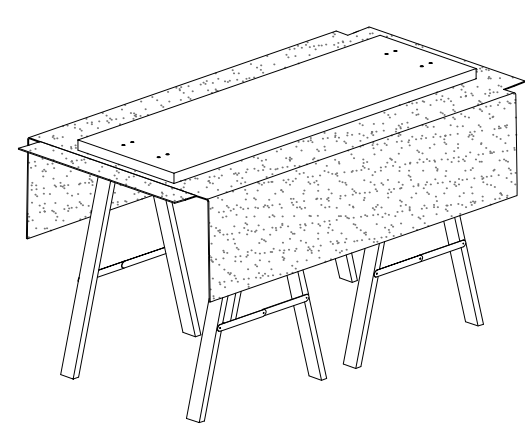
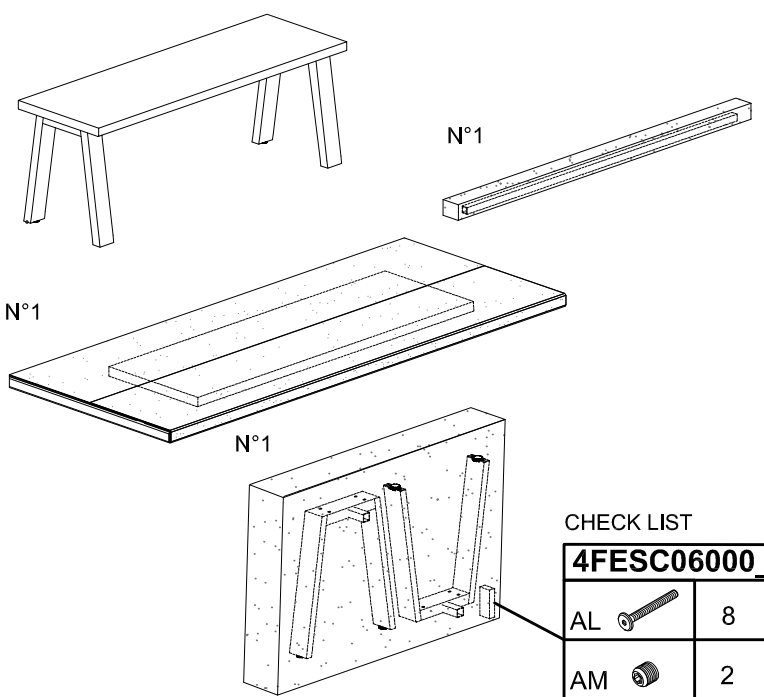


4

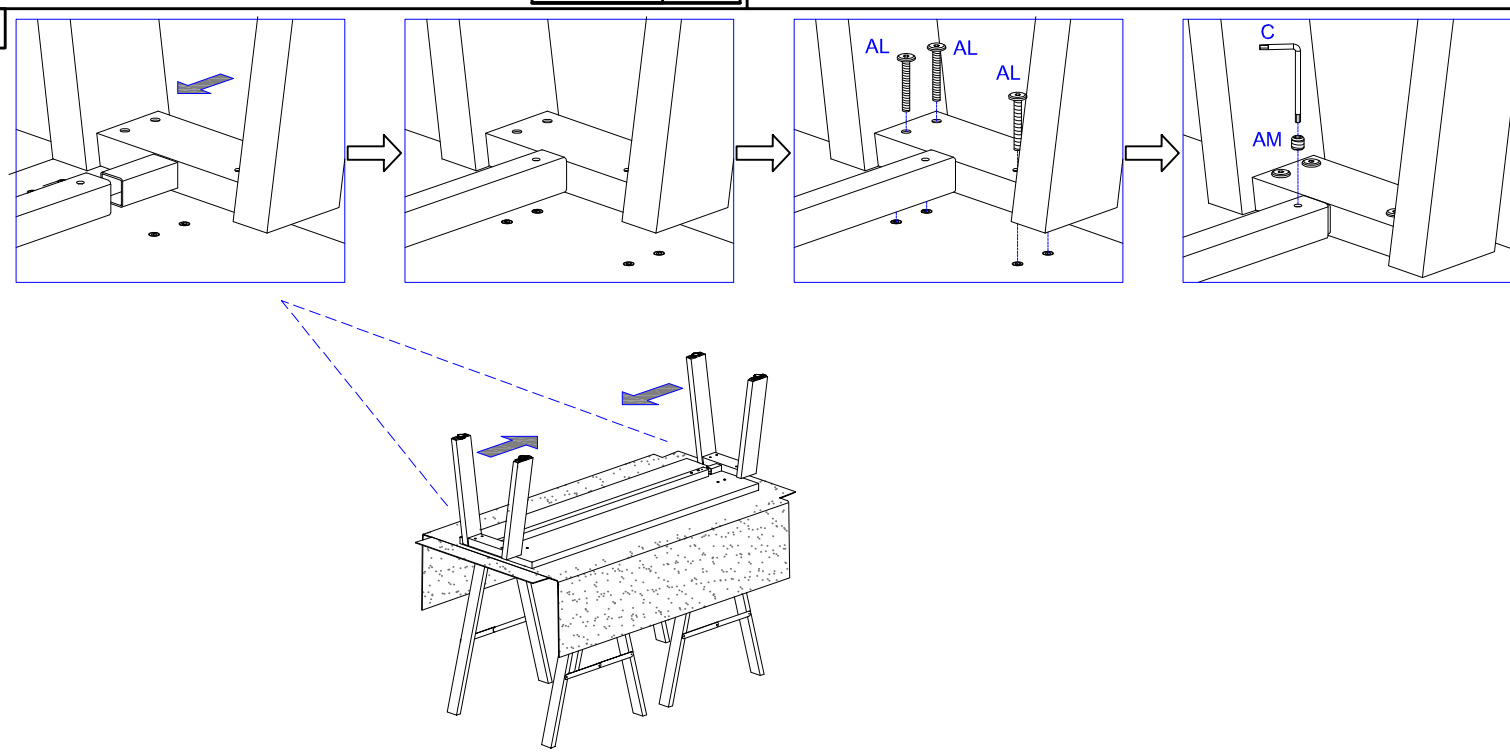


LOW TABLE TAKE-OFF FARM

1



2



3

